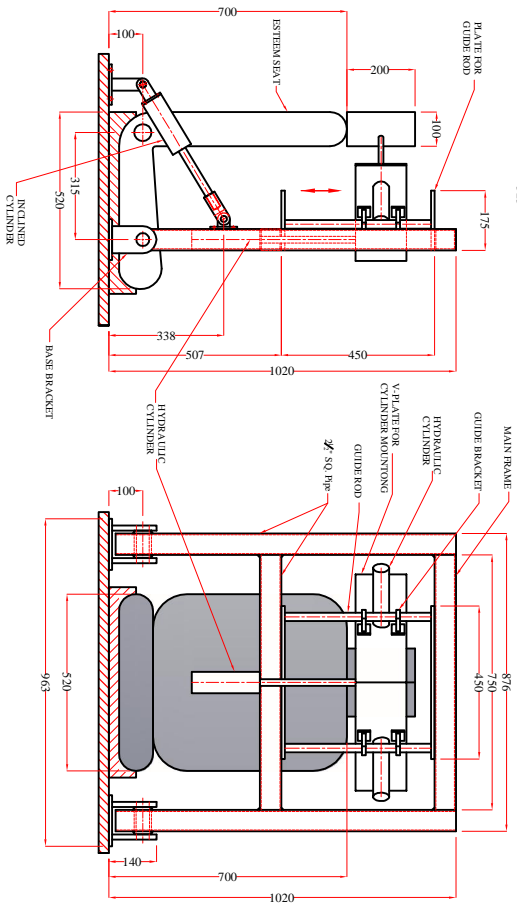
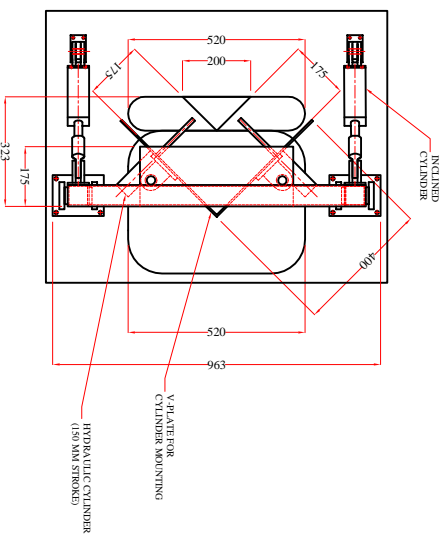


UNAUTHORIZED USE OF THIS DWG. OR MAKING/REPRODUCTION THEREOF, OR
 ALTERATION OF THIS DWG. OR MAKING/REPRODUCTION THEREOF, OR
 EITHER PARTS THEREOF IS STRICTLY PROHIBITED.

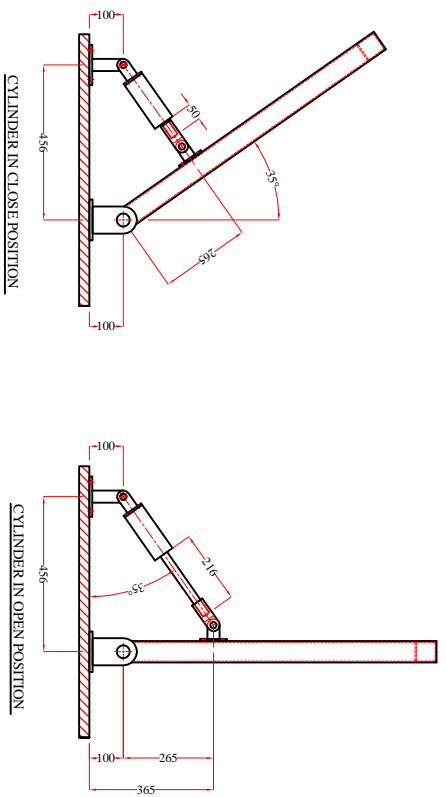


ALL DIM. ARE IN MM.

NEOMETRIX
 www.neometrix.in
 NEOMETRIX ENGINEERING PRIVATE LIMITED
 D-11 SECTOR-43 NOIDA
 U.P. INDIA
 Tel. No. :- 91-120-4264585
 E-Mail: contact@neometrix.in

MAIN TITLE		45 DEGREE L&R MOVEMENT RIG		WEIGHT:-	
ASSEMBLY		GA DRAWING		(KGS)	
PART					
DESIGNED BY		JK		SCALE	
DRAWN BY		MK		PROJECTION	
CHECKED BY		JK		SHEET NO.	
APPROVED BY		SPS		DWG. NO. :-	
REV.	DATE	REMARKS	SIGN.		

UNAUTHORIZED USE OF THIS DWG. OR MAKING/REPRODUCTION THEREOF, OR
 ALTERATION OF THIS DWG. OR MAKING/REPRODUCTION THEREOF, OR
 EITHER PARTS THEREOF IS STRICTLY PROHIBITED.



REMARKS IN DWG.

ALL DIM. ARE IN MM.

MAIN TITLE		45 DEGREE L&R MOVEMENT RIG		WEIGHT:-	
ASSEMBLY		GA DRAWING		(KGS)	
PART					
DESIGNED BY		JK		SCALE	
DRAWN BY		MK		PROJECTION	
CHECKED BY		JK		SHEET NO.	
APPROVED BY		SPS		DWG. NO. :-	
REV.	DATE	REMARKS	SIGN.		

NEOMETRIX
 www.neometrix.in
 NEOMETRIX ENGINEERING PRIVATE LIMITED
 D-11 SECTOR-43 NOIDA
 U.P. INDIA
 Tel. No. :- 91-120-4264585
 E-Mail: contact@neometrix.in