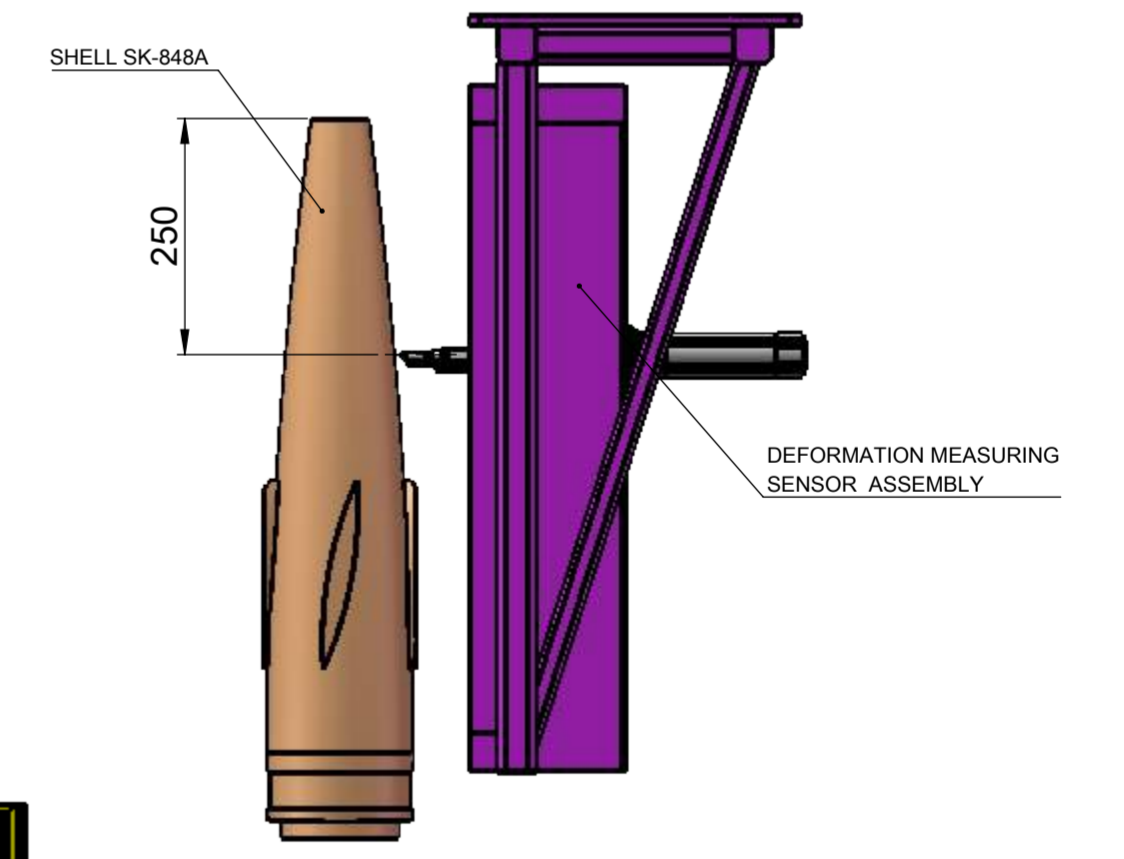
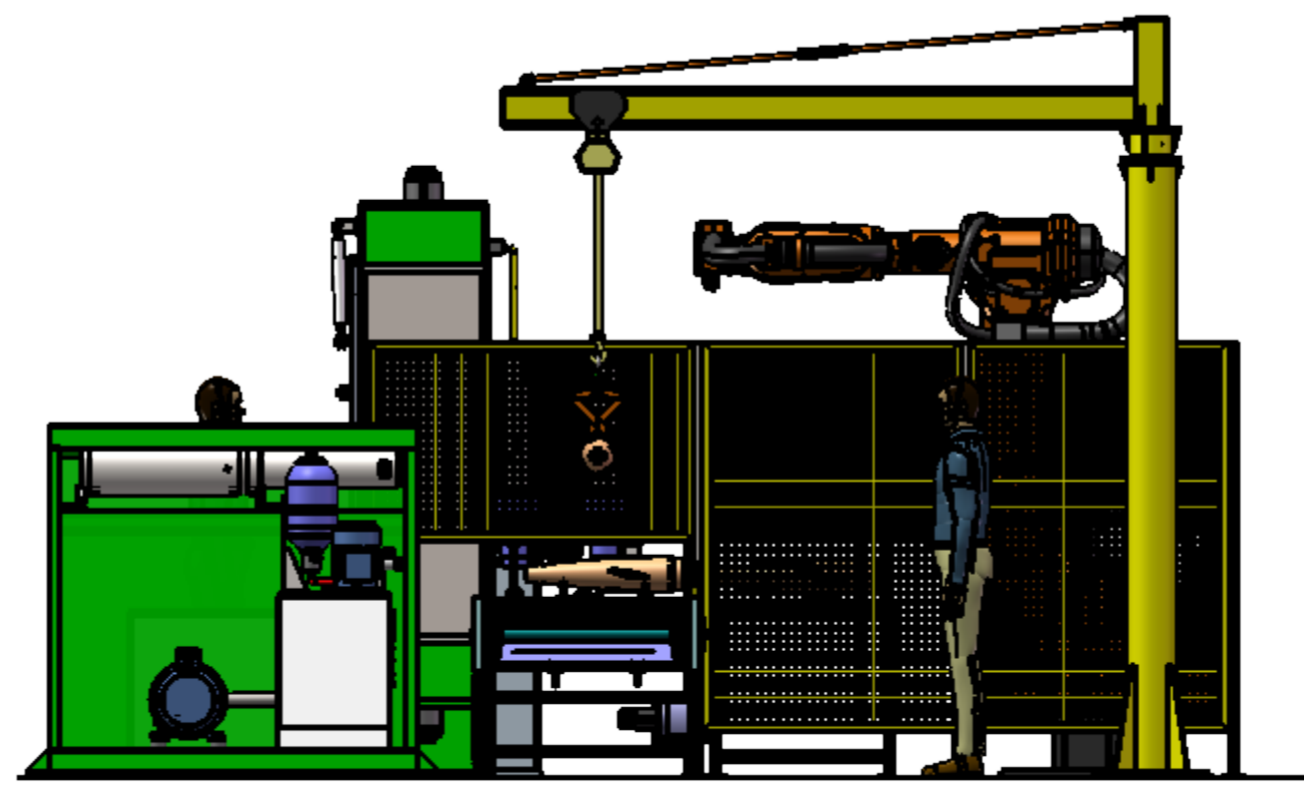
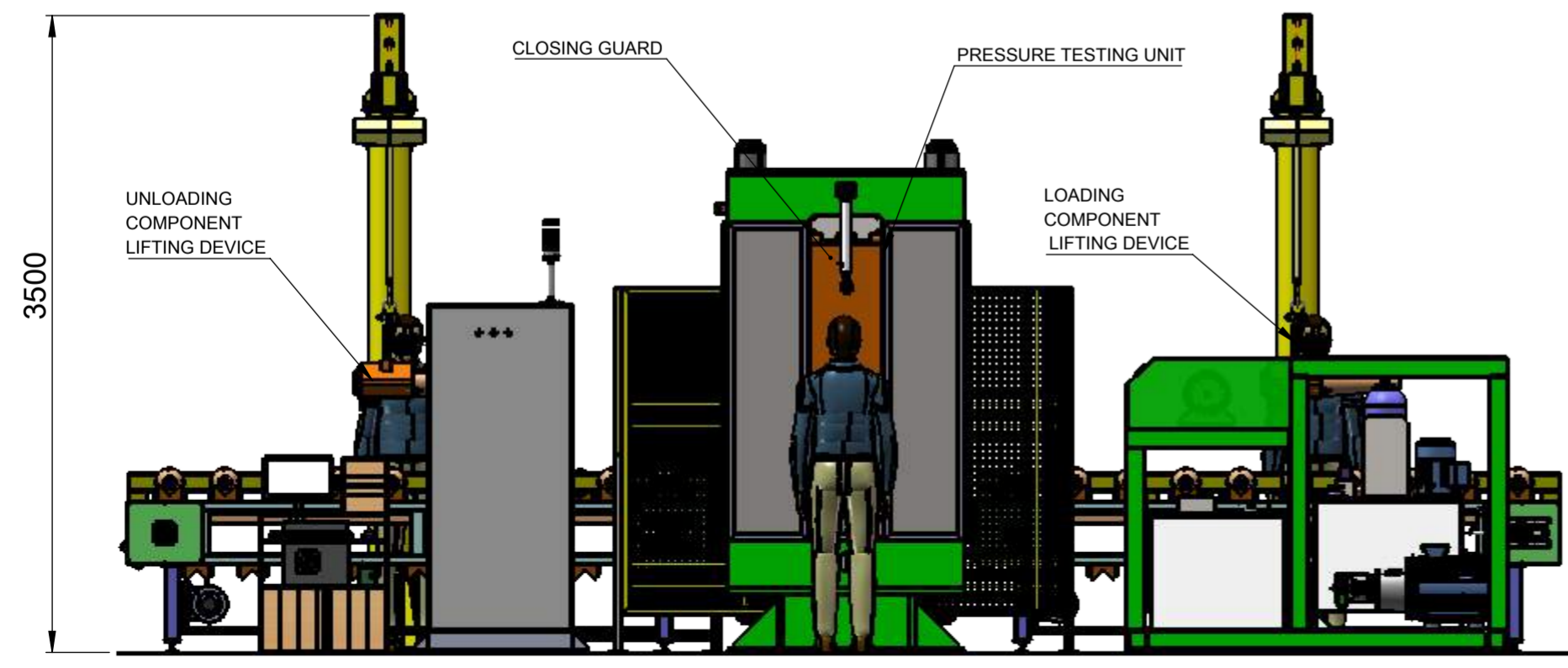
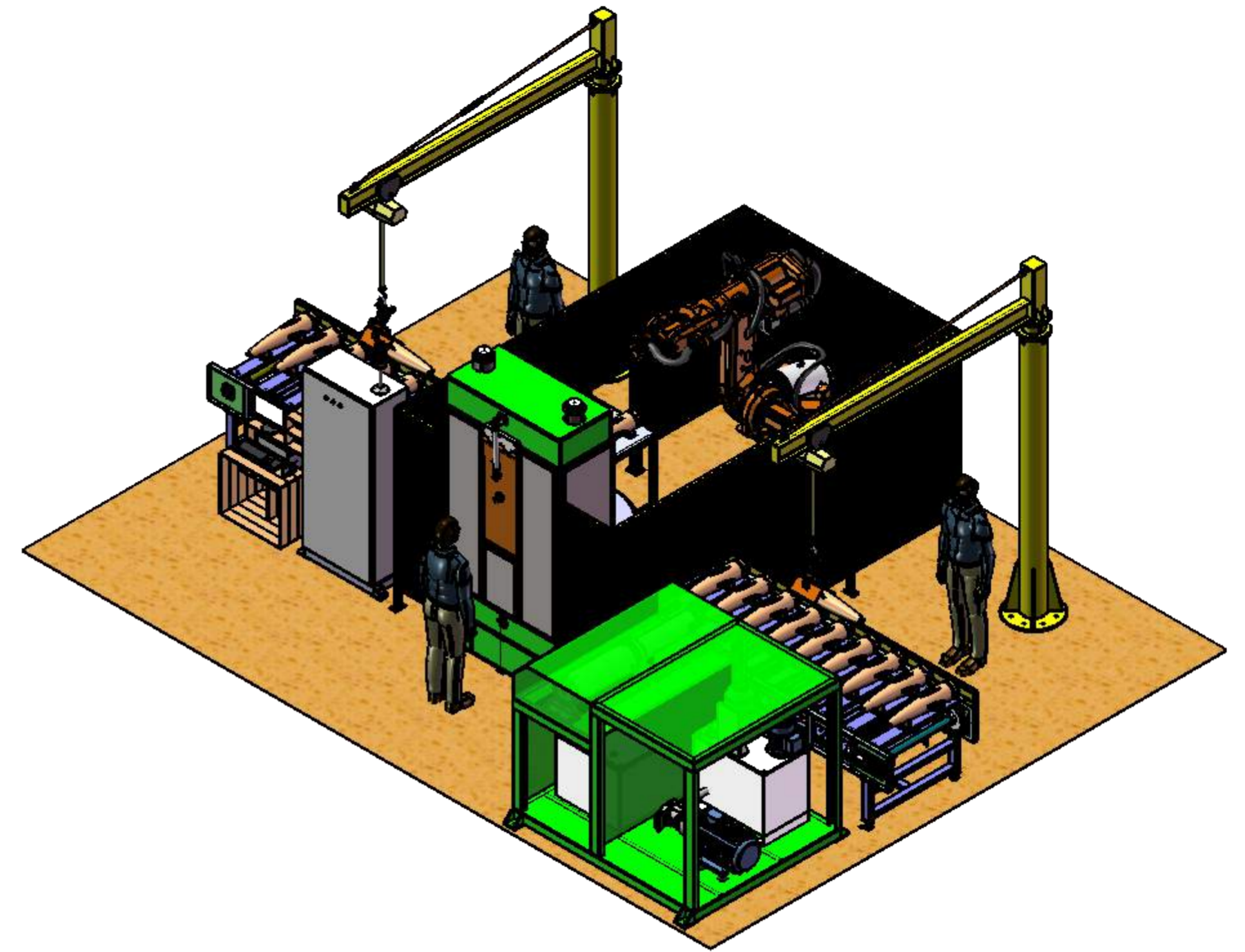
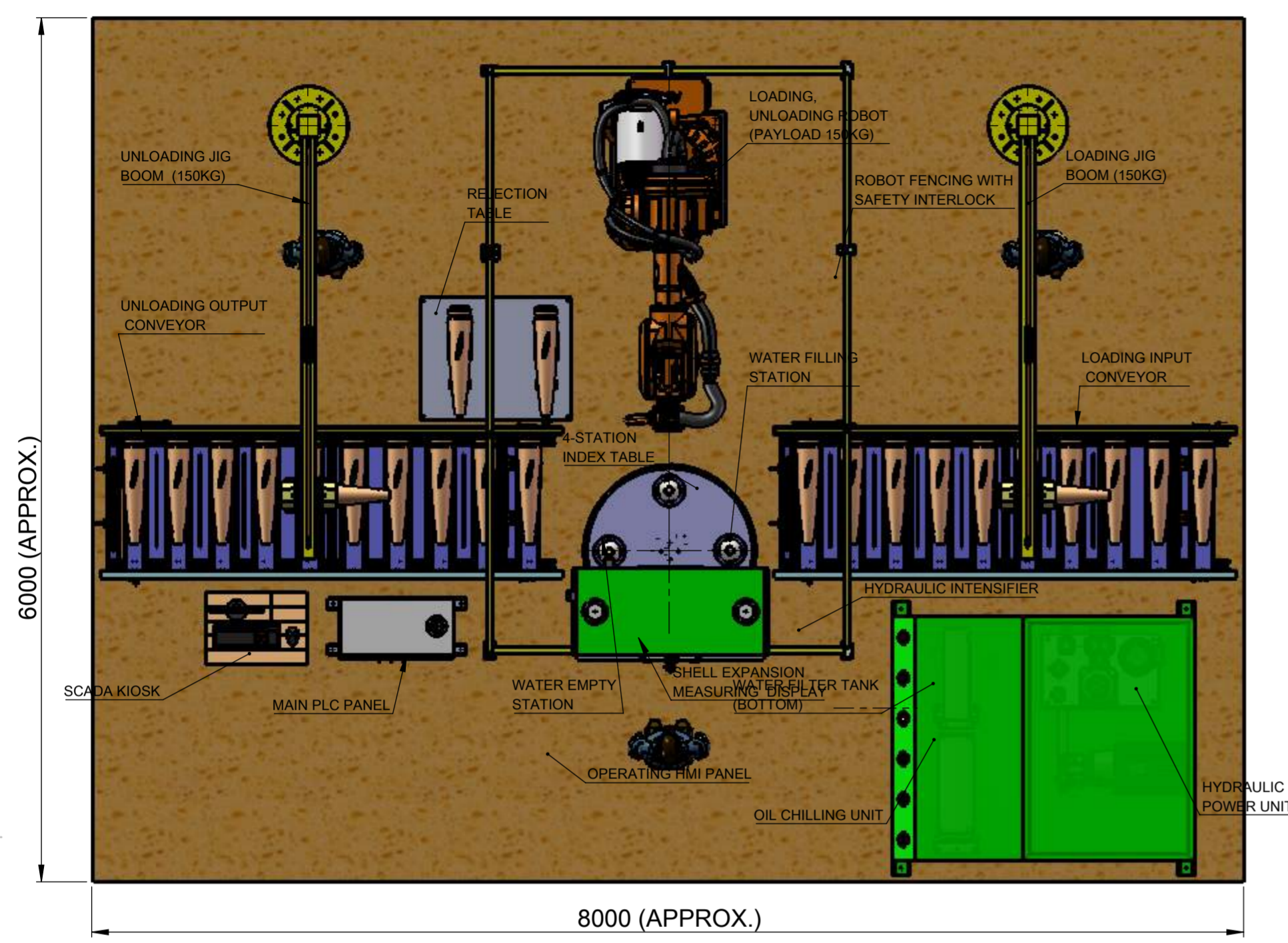


THIS DWG IS SOLE PROPERTY OF NEOMETRIX ENGINEERING PVT. LTD. UNAUTHORISED USE OF THIS DWG. OR MAKING PRODUCT AS PER THIS DWG. WITHOUT OUR PERMISSION OR ANY OTHER MISUSE IS NOT PERMITTED.



		NEOMETRIX ENGINEERING PVT LTD E-148, SECTOR 63, NOIDA, UP-201301 Tel No.: 0120 4500800 Fax No.: 0120 4500888 E-mail: contact@neometrixgroup.com Design Dept.: design@neometrixgroup.com			
TITLE	HYDRO TESTING MACHINE			QA No.	
SUB-TITLE	GENERAL ARRANGEMENT			Cross Ref Doc No.:	
SRS CODE	A2118			Customer Dwg Ref No.	
CUSTOMER	Logo	--		NOTE:	
END USER	--			MATERIAL- EN24	
TD/PO. No.	--			HARDNESS- 22-25 HRC	
PROJECTION	DRWN	M.F	09-03-2021	SIZE	SCALE
CHK.				22	NFS
APPR.				SHEET No. OF	1 01
				NEO DWG No.	GA-A2118
				REV	1 00