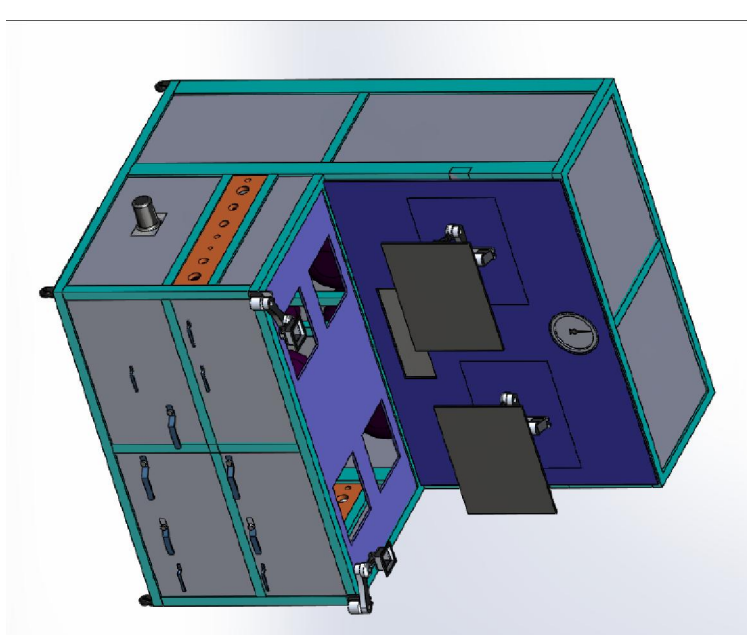
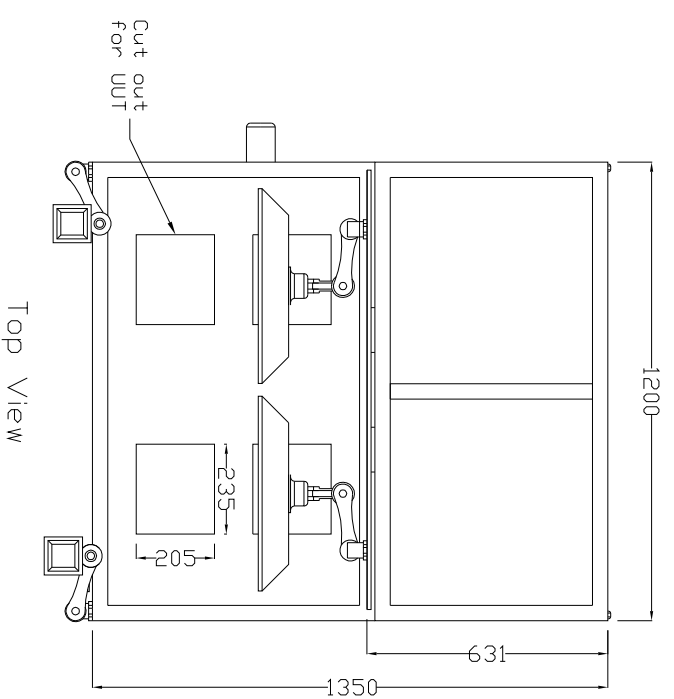


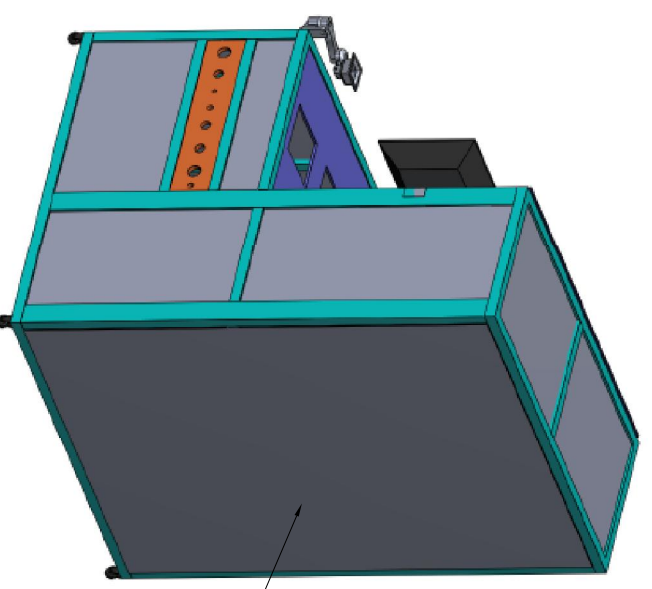
THIS DWG. IS SOLE PROPERTY OF NEOMETRIX ENGINEERING PVT. LTD.  
 UNAUTHORISED USE OF THIS DWG. OR MAKING PRODUCT AS PER THIS DWG.  
 WITHOUT OUR PERMISSION OR ANY OTHER MISUSE IS NOT PERMITTED.



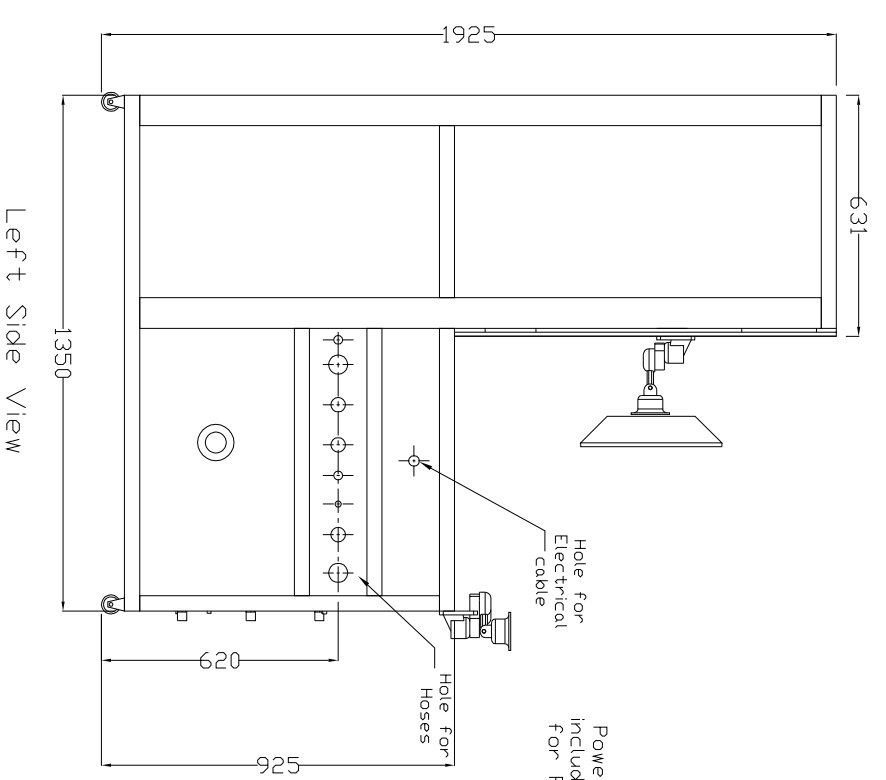
3D-Isometric View



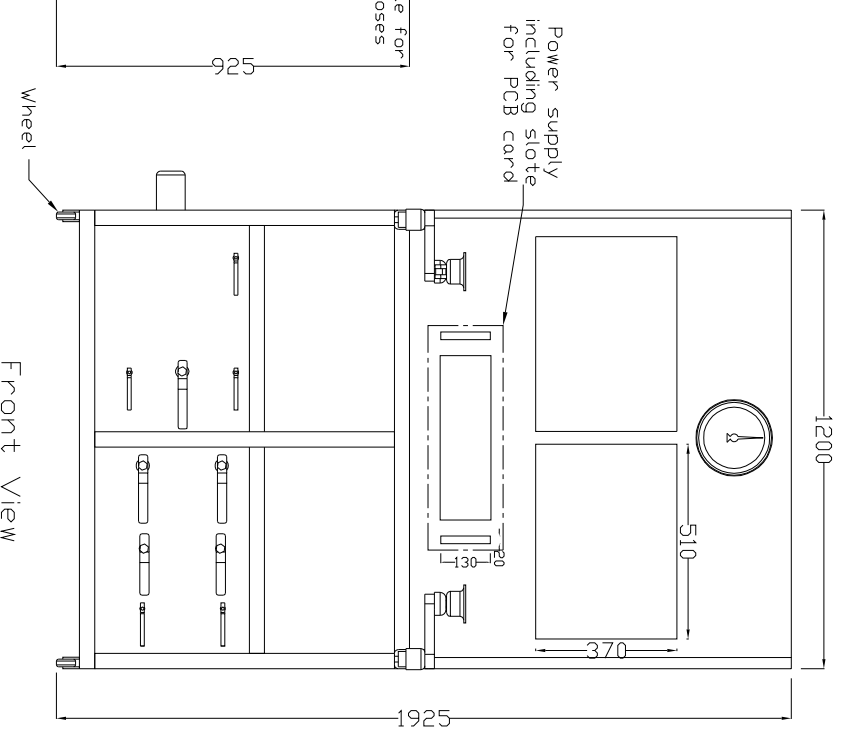
Top View



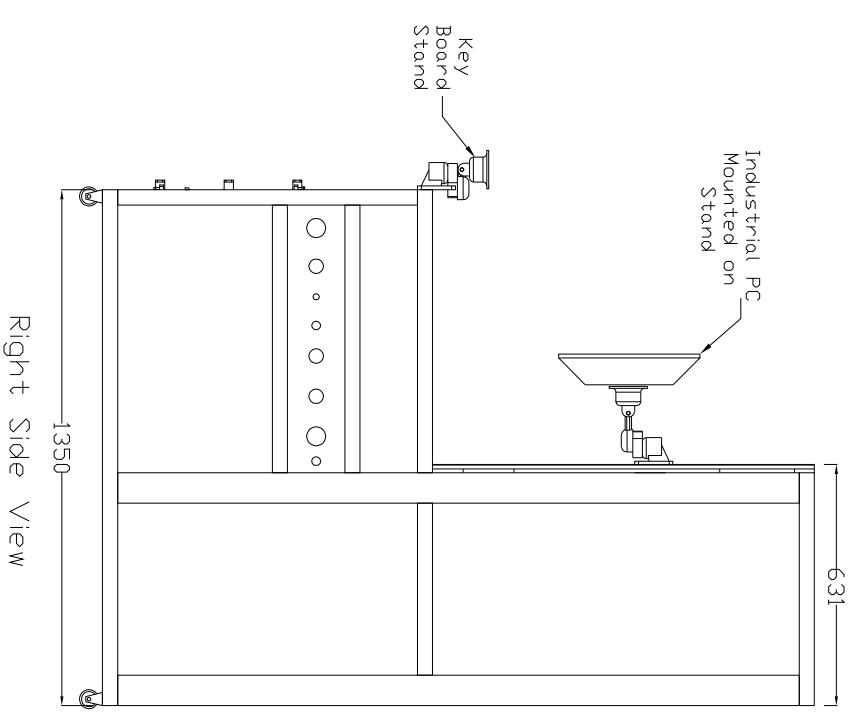
3D-Isometric View



Left Side View



Front View



Right Side View

GA Control Panel

		<b>NEOMETRIX ENGINEERING PVT.LTD.</b> E-146, Sector-43 Gurgaon, Haryana, India - 122002 Tel. No. - 0120-4500880 Fax No. - 0120-4500889 E-Mail: contact@neometrixgroup.com	
<b>MAIN TITLE</b> TEST BENCH OF CCB BURN TEST	<b>SUB-TITLE</b> CONTROL PANEL GA DRAWING	<b>DA No.</b> A1504	<b>CROSS REF. DOC.</b> -
<b>CUSTOMER</b> KNRR BRENSE, PAL WAL	<b>END-USER</b> KNRR BRENSE, PAL WAL	<b>TENDER NO.</b> -	<b>NOTES</b> -
<b>PROJECT/WORKING BY &amp; DATE</b> SK 18/05/25	<b>SIZE/SCALE</b> A2	<b>NEED. DVG. NO.</b> -	<b>REV.</b> -
<b>CHECKED BY &amp; DATE</b> RKT 18/05/25	<b>APPROVED BY &amp; DATE</b> SP 18/05/25	<b>NO.</b> 01	<b>REV.</b> 01