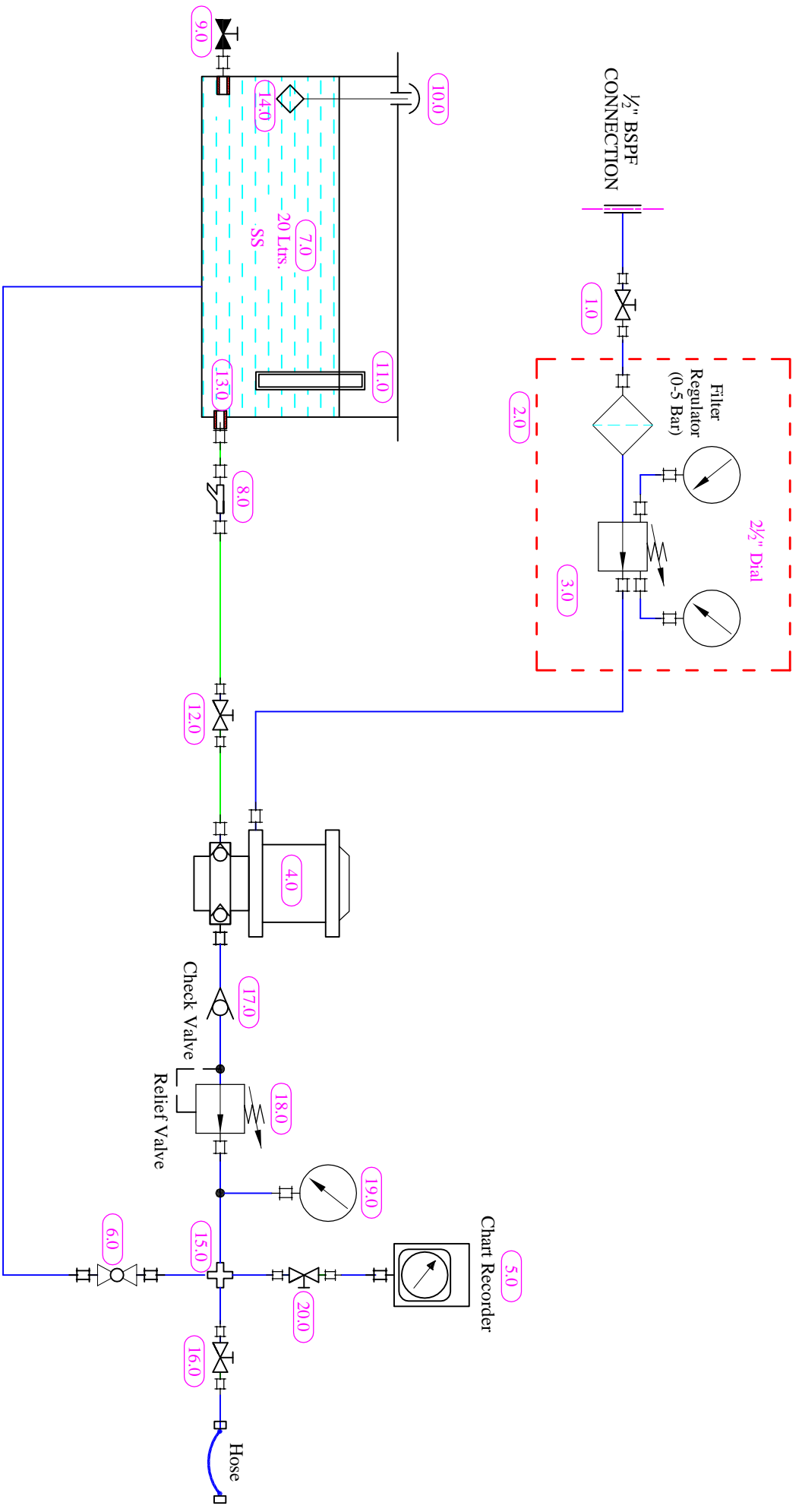


THIS DWG. IS SOLE PROPERTY OF PASKALS FLUID SYSTEMS PVT. LTD.
 UNAUTHORISED USE OF THIS DWG. OR MAKING PRODUCT AS PER THIS DWG.
 WITHOUT OUR PERMISSION OR ANY OTHER MISUSE IS NOT PERMITTED.



COLOR	TUBE SIZE
Blue	1/4" Swagelok
Green	1/2" Swagelok

CIRCUIT DIAGRAM

PASKALS Advanced Fluid Systems		PASKALS FLUID SYSTEMS PVT. LTD. E-16, SECTOR-6, NOIDA-201301 (U.P.) E-mail: fluid@paskals.com	
MAIN TITLE	CIRCUIT DIAGRAM	DATE	
SUB-TITLE		DESIGNED BY	
MODEL NO.		ASSEMBLED BY	
CUSTOMER		NOTES	
END USER			
APPLICATION			
DRAWN BY & DATE	SSR / 10/07/16	SHEET SCALE	AS PER PASKALS DWG. NO.
APPROVED BY & DATE	SSR / 10/07/16	SIZE	100
APPROVED BY & DATE	AM / 11/07/16	PROJ. NO.	
APPROVED BY & DATE	NTS / 07/11/16	PROJ. NAME	