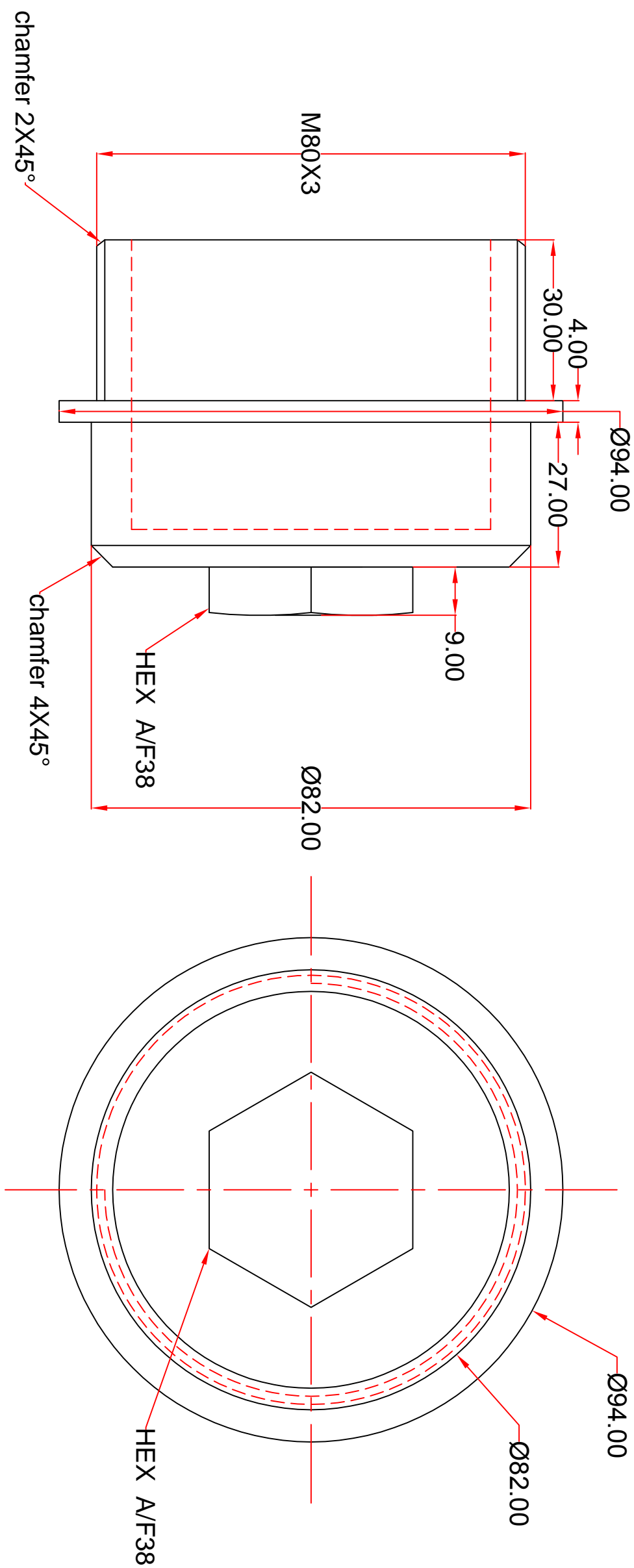
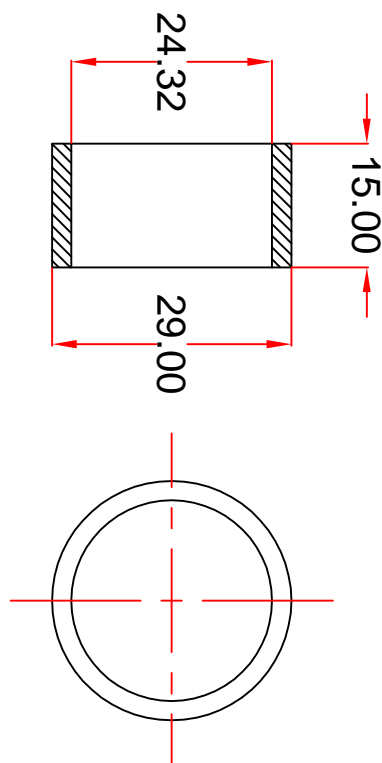


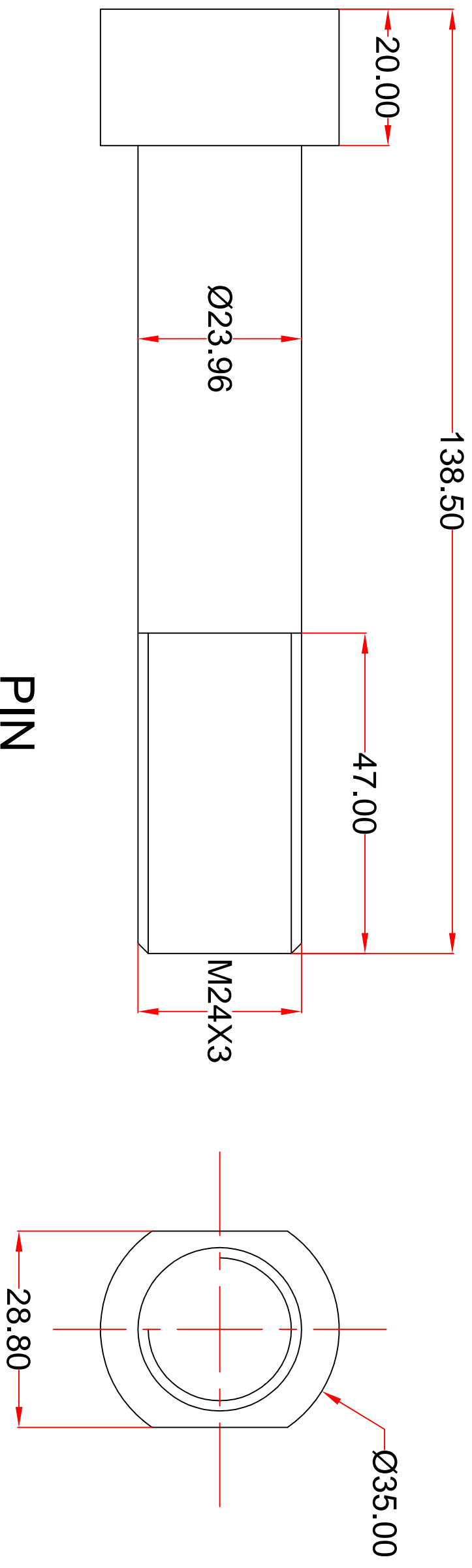
All Dimensions are in mm  
 Material :- EN-31

<b>NEOMETRIX</b> www.neometrix.in		NEOMETRIX ENGINEERING PRIVATE LIMITED E-148, SECTOR-63 NOIDA Tel. No.- 0120-4500800 Fax No.- +91-120-4500888 E-Mail: contact@neometrix.in	
MAIN TITLE	Threaded rod	SCALE	NOT TO SCALE
ASSEMBLY	--	PROJECTION	
PART	--	SHEET NO.	REV. 00
PREPARED BY	SK	21/12/2013	DWG. NO :- NX-MD-?
CHECKED BY	MH	21/12/2013	
CHECKED BY	MH	21/12/2013	
APPROVED BY	SPS	21/12/2013	

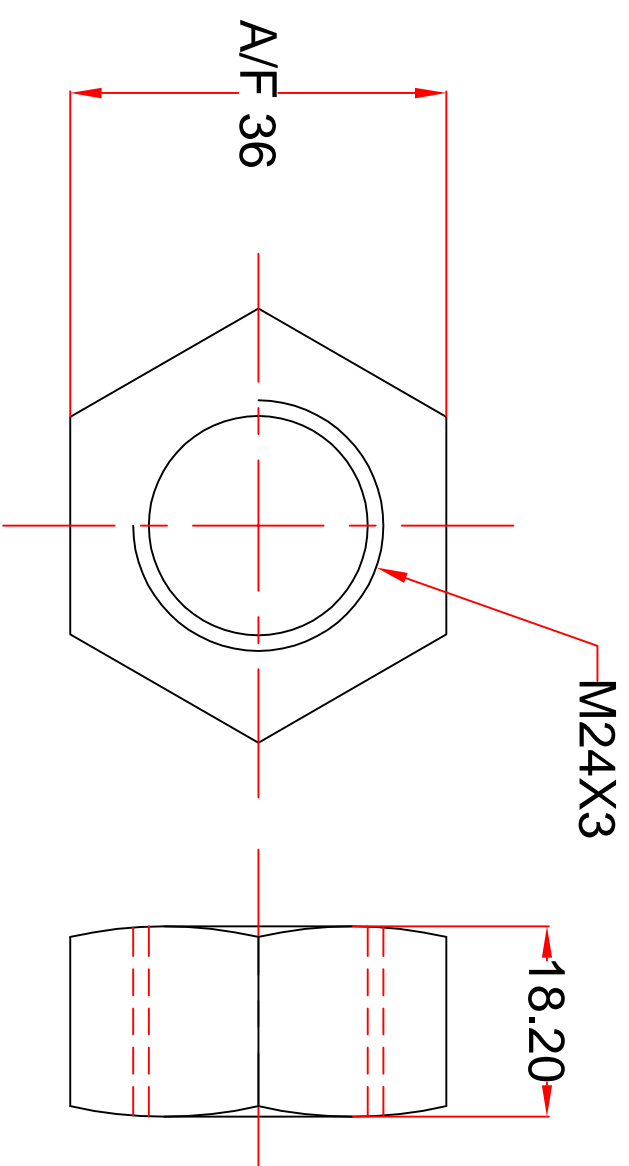


All Dimensions are in mm  
 Material :- MS

<b>NEOMETRIX</b>		NEOMETRIX ENGINEERING PRIVATE LIMITED	
E-148, SECTOR-63 Noida		E-148, SECTOR-63 Noida	
Tel. No.:- 0120-4500800		Tel. No.:- 0120-4500800	
Fax No.:- +91-120-4500888		Fax No.:- +91-120-4500888	
E-Mail: contact@neometrix.in		E-Mail: contact@neometrix.in	
<b>REVISIONS</b>			
NO.	DATE	BY	REASON
1	21/12/2013	SPS	Final



PIN



Hex nut of pin

All Dimensions are in mm  
 Material :- EN-31

<b>NEOMETRIX</b>		NEOMETRIX ENGINEERING PRIVATE LIMITED	
www.neometrix.in		E-148, SECTOR-63 NOIDA	
		Tel. No.- 0120-4500800	
		Fax No.- +91-120-4500888	
		E-Mail: contact@neometrix.in	
MAIN TITLE	Pin & hex Nut	SCALE	NOT TO SCALE
ASSEMBLY	--	PROJECTION	
PART	--	SHEET NO.	REV. 00
PREPARED BY	SK	21/12/2013	
CHECKED BY	MH	21/12/2013	
CHECKED BY	MH	21/12/2013	
APPROVED BY	SPS	21/12/2013	
		DWG. NO. :-	NX-MD-?