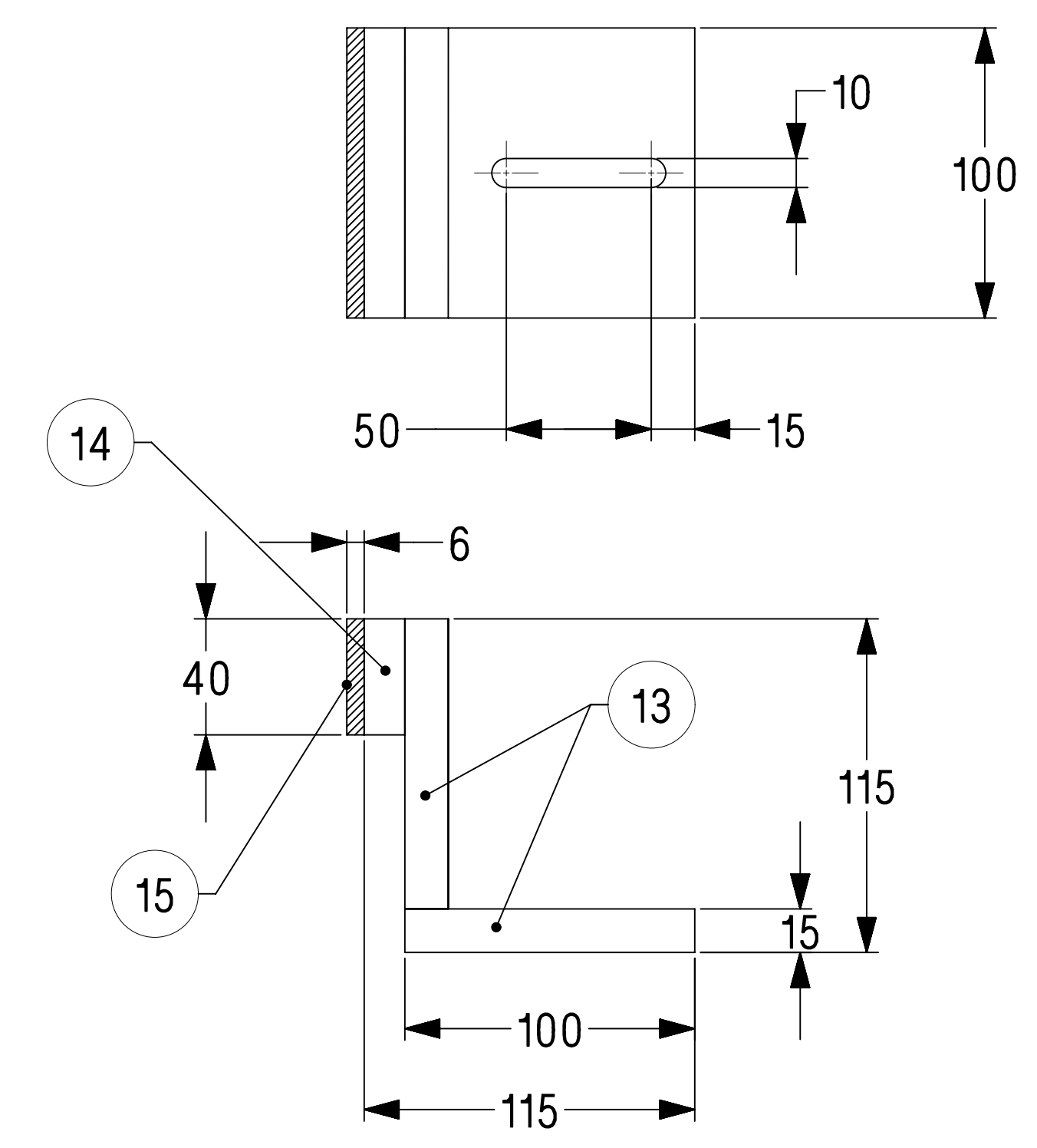
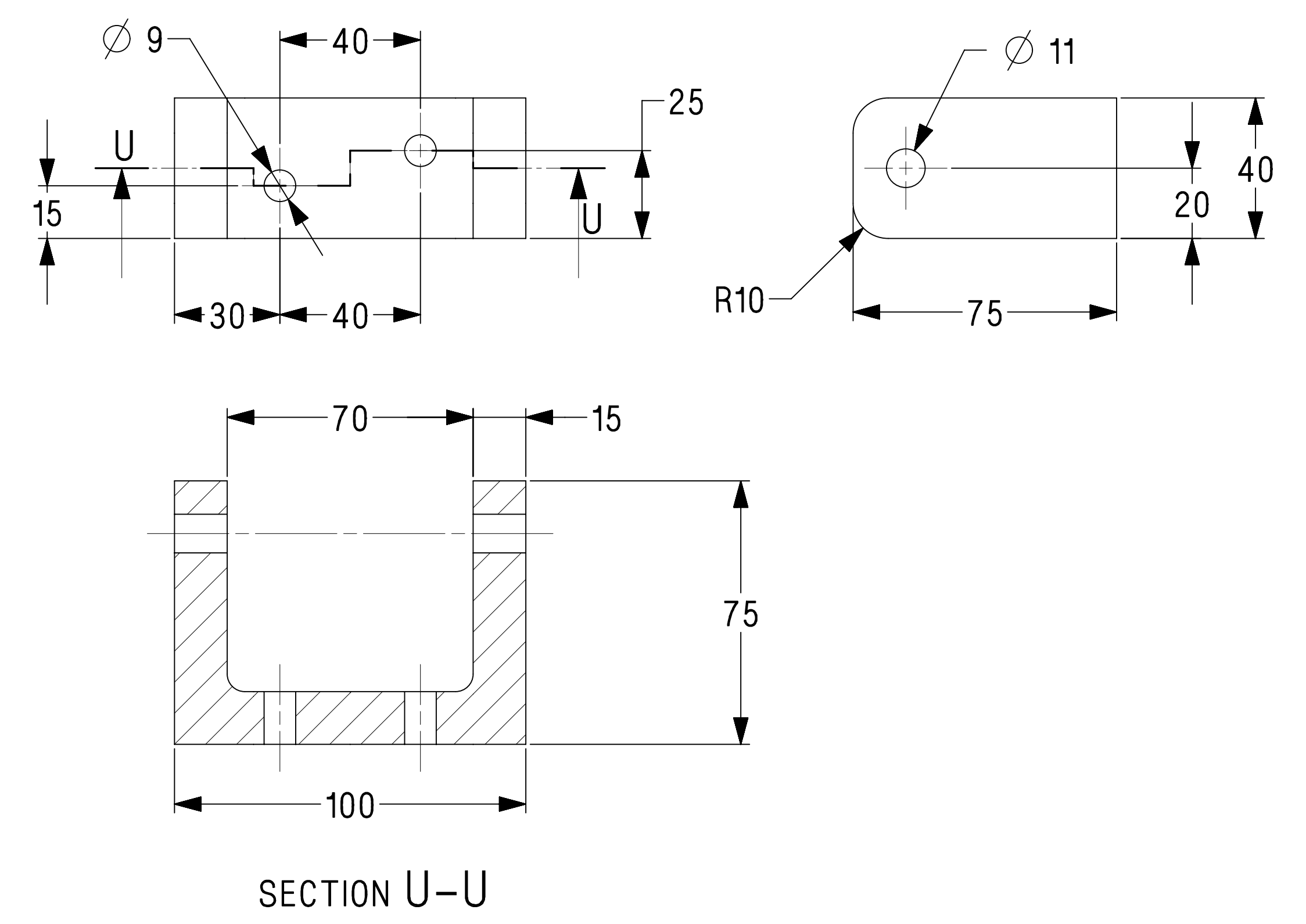


SUB-ASSY. OF ITEM NOS.	1	2
QTY. REQD./SUB-ASSY.	1	2
NO. OF SUB-ASSY. REQD.	1 NO.	

SUB-ASSY. OF ITEM NOS.	5	6
QTY. REQD./SUB-ASSY.	1	2
NO. OF SUB-ASSY. REQD.	1 NO.	

SUB-ASSY. OF ITEM NOS.	3	4	7	8	9	10	11	12
QTY. REQD./SUB-ASSY.	2	2	2	2	2	2	8	4
NO. OF SUB-ASSY. REQD.	1 NO.							



SUB-ASSY. OF ITEM NOS.	13	14	15
QTY. REQD./SUB-ASSY.	2	1	1
NO. OF SUB-ASSY. REQD.	4 NO.		

ITEM NOS.	18
QTY. REQD.	4

DATE	UTILISATION	LIMITS AS PER IS 2102 (MEDIUM)	GENERAL NOTES	SURFACE FINISH	NAME	SIGN	DATE
TOOL ISS	TO BE USED FOR PACKING AND TRANSPORTATION OF AUXILIARY FUEL TANK ASSY.-250KG. (DOWEL PINS 0000 000) BY RAIL/ROAD ONLY.	Q.D. & LENGTH 0-4 +0/-0.1 4-8 +0/-0.2 8-15 +0/-0.3 15-25 +0/-0.4 25-50 +0/-0.5 50-100 +0/-0.6 100-200 +0/-0.8 200-400 +0/-1.0 400 & ABOVE +0/-1.5	DO NOT SCALE DRAWING POSITION SCREWS AND BOWELS SUITABLY WELD WHERE SHOWN THIS: [Symbol] [Symbol] 400-1.8 [Symbol] 400-1.8	IN MICRONS 25-40 4-25 1.4-8 0.4-2.5	DRN	SHEKH	23/01/16
COMP ISS					CKD	GANESH G.	
CHANGES					TOOL ISS : HO		
REASON					PROJECT-ALH		
INITIALS					SHEET: 2 OF 2		
					SCALE: N.T.S.		
					TOOL No. 560 017		
					PACKING BOX (AUX. FUEL TANK-250kg.)		
					ALH-SK-H-1323		