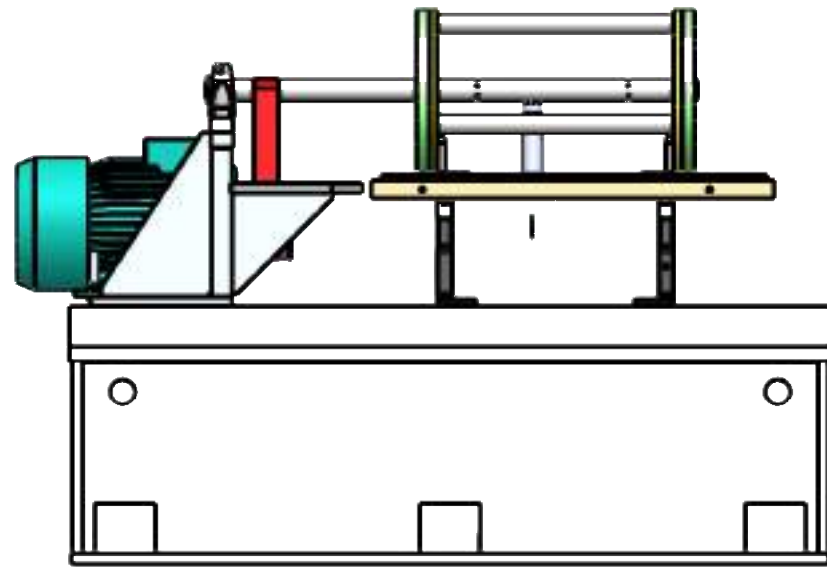


THIS DWG. IS SOLE PROPERTY OF NEOMETRIX ENGINEERING PVT. LTD.
 UNAUTHORISED USE OF THIS DWG. OR MAKING PRODUCT AS PER THIS
 DWG. WITHOUT OUR PERMISSION OR ANY OTHER MISUSE IS NOT
 PERMITTED.



FRONT VIEW



SIDE VIEW

PILLOW BLOCK UNIT
(P2B 40M-TF)

SHAFT

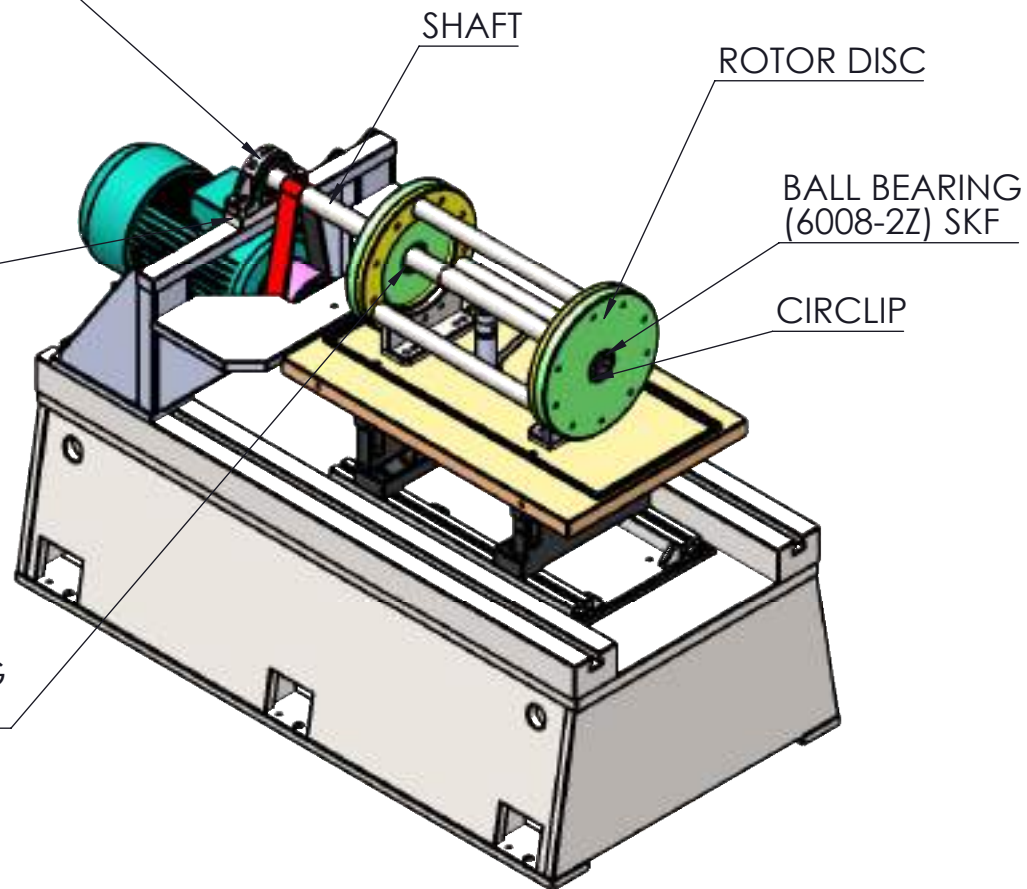
ROTOR DISC

BALL BEARING
(6008-2Z) SKF

SPACER

CIRCLIP

BALL BEARING
(6008-2Z) SKF



+++ NEOMETRIX
www.neometrixgroup.com

NEOMETRIX ENGINEERING PVT. LTD.
 E-148, Sector-63, Noida, UP-201301
 Tel. No. :- 0120-4500800
 Fax No. :- 0120-4500888
 Email :- contact@neometrixgroup.com

MAIN TITLE	ROTOR TESING FACILITY	QA No.	
SUB - TITLE	TESTING ASSY	Cross Ref. Doc. No.	
CODE	A1973	Customer Dwg./Ref. No.	
QYT.	1	NOTE:-	
MATERIAL	--		
HARDNESS	--		
PROJECTION	DRAWN BY & DATE	M.F	13-04-2021
	CHECKED BY & DATE	AS	13-04-2021
	APPROVED BY & DATE	S.P.S	13-04-2021
Size	Scale	Sheet No.	NEO. DWG. No.
A3	NTS	01	T-PED-A1973-TESTING ROTOR
		01	REV
			00