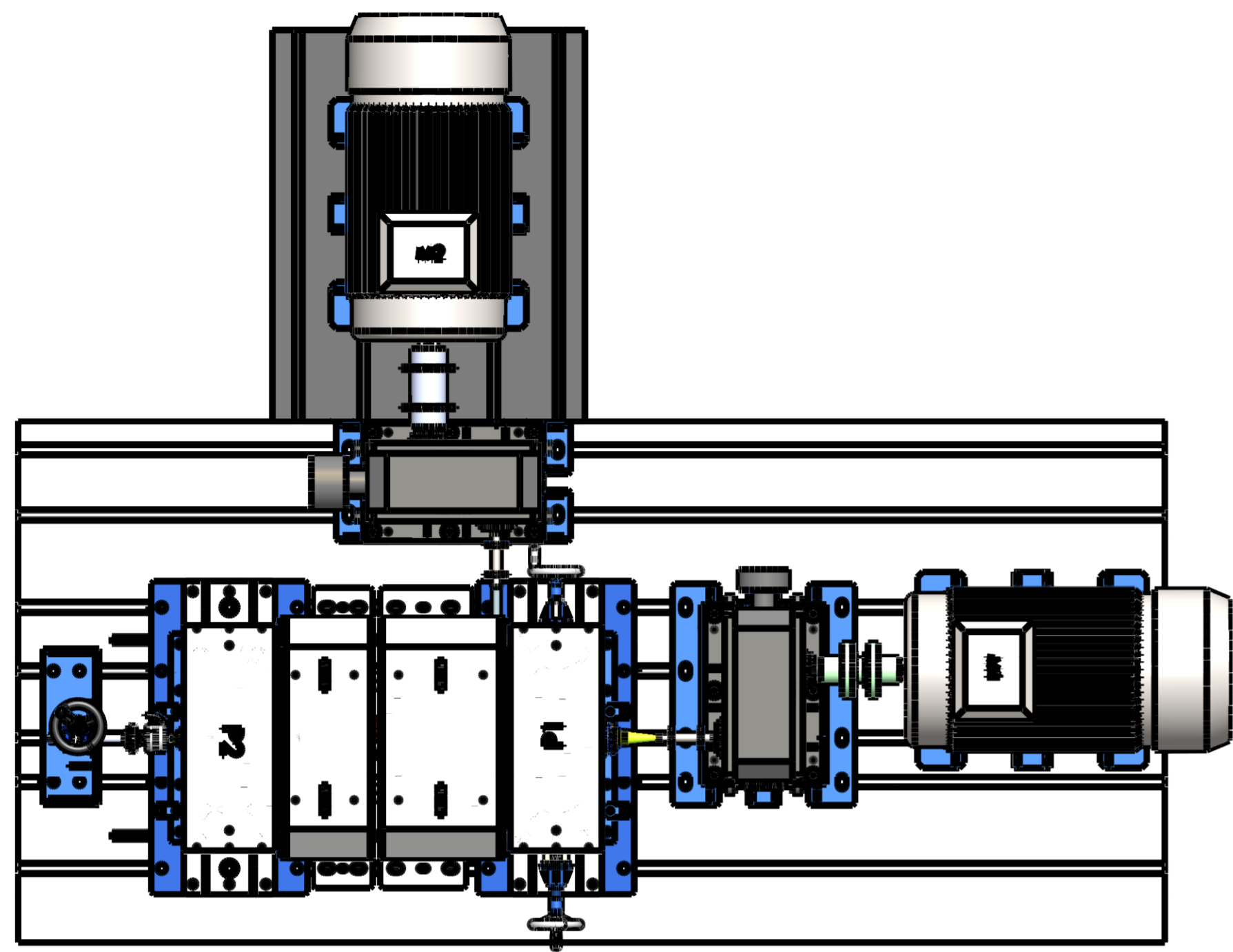
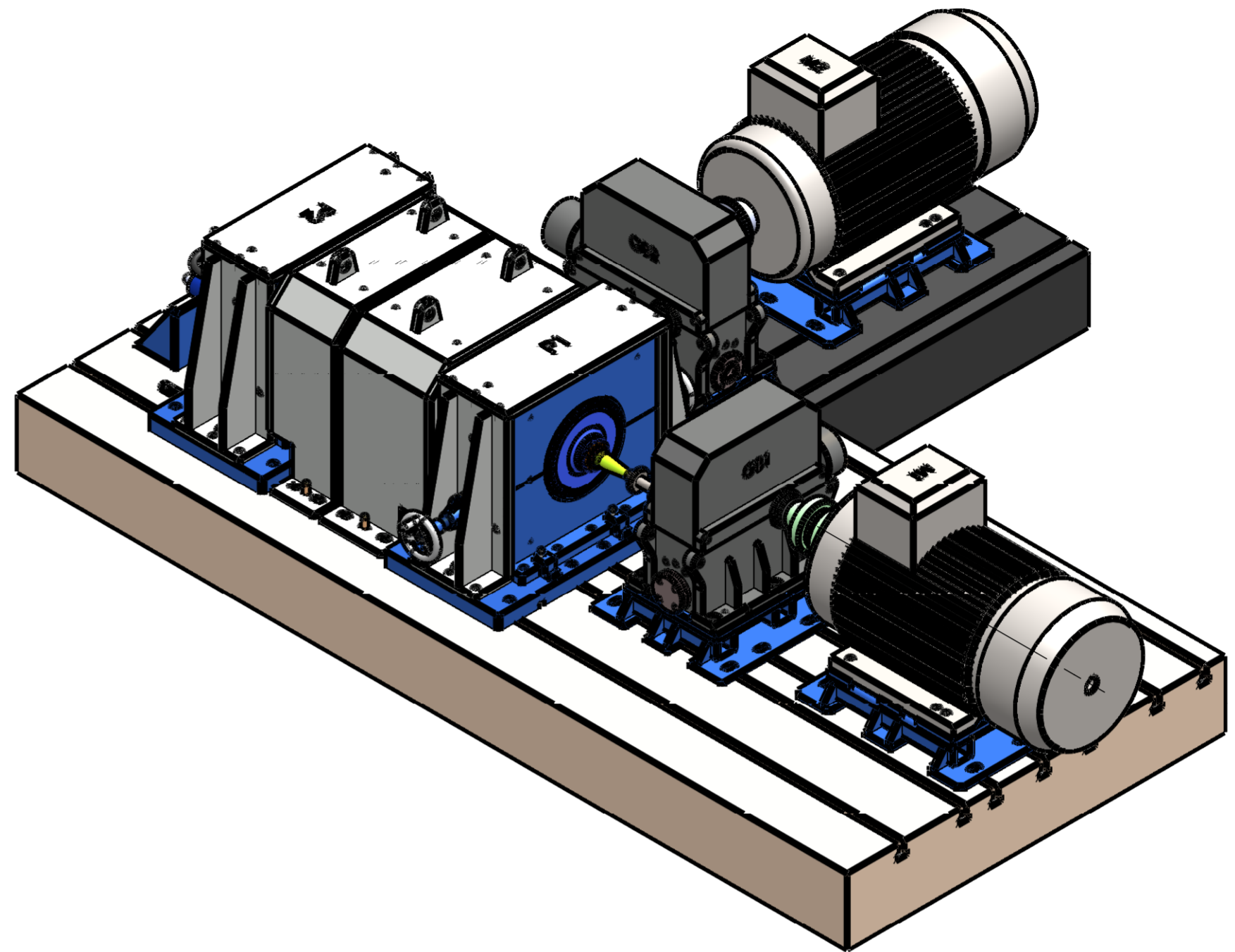


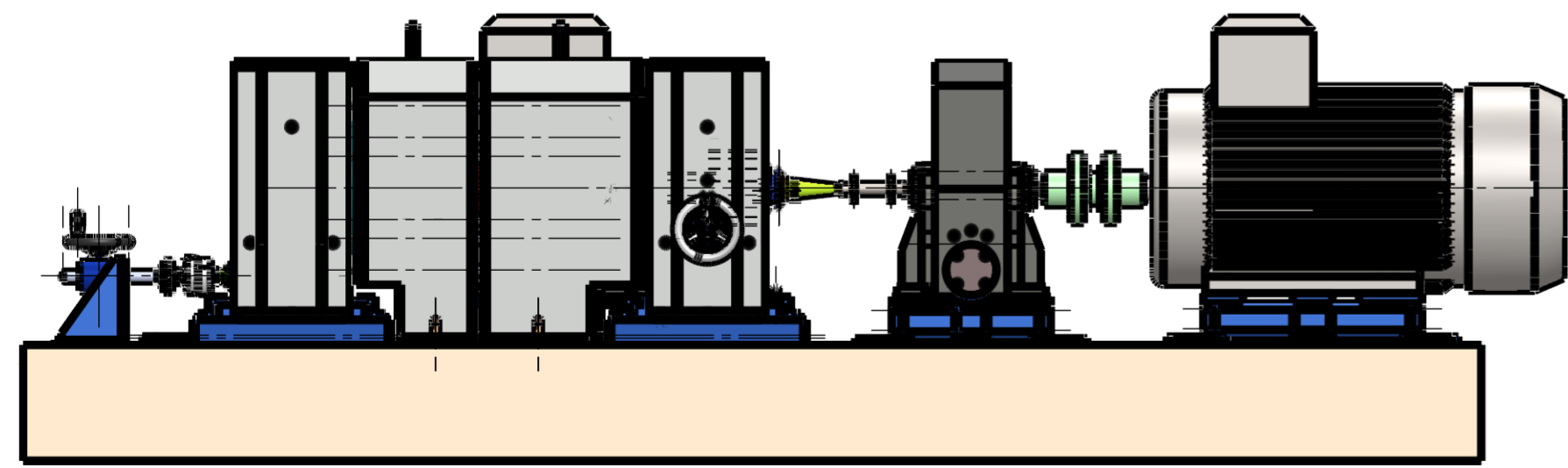
THIS DWG. IS SOLE PROPERTY OF NEOMETRIX ENGINEERING PVT. LTD. UNAUTHORISED USE OF THIS DWG. OR MAKING PRODUCT AS PER THIS DWG. WITHOUT OUR PERMISSION OR ANY OTHER MISUSE IS NOT PERMITTED.



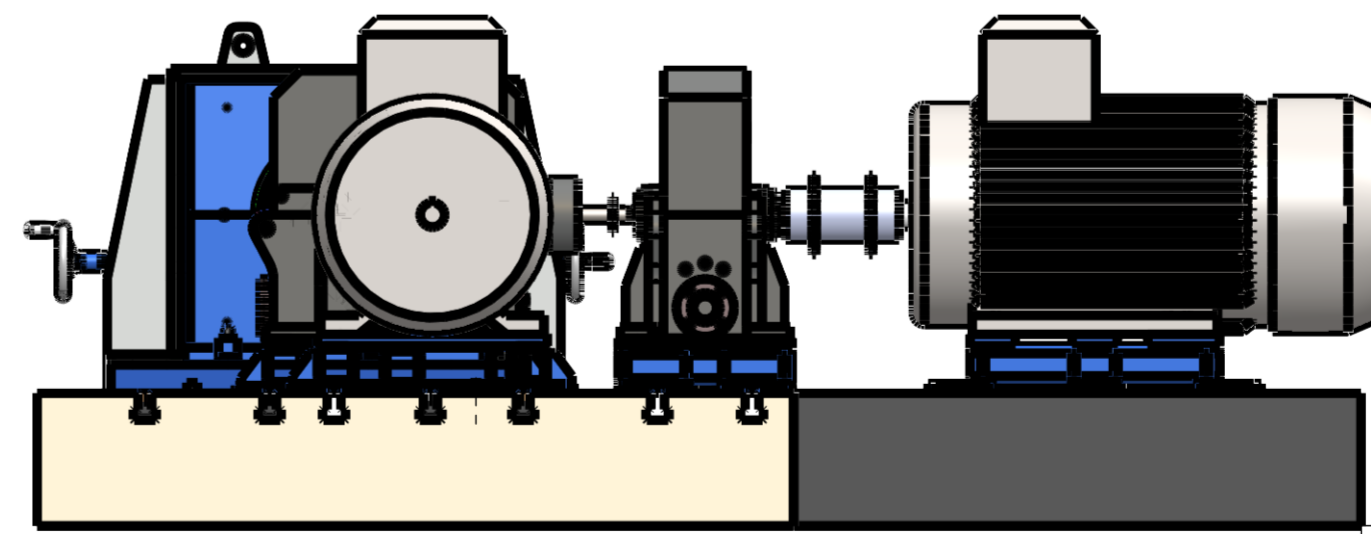
TOP VEIW



ISOMETRIC VEIW



FRONT VEIW



SIDE VEIW

**NEOMETRIX**  
www.neometrixgroup.com

NEOMETRIX ENGINEERING PVT LTD  
E-148, SECTOR 63, NOIDA, UP-201301  
Tel No.: 0120 4500800  
Fax No.: 0120 4500888  
E-mail: contact@neometrixgroup.com  
Design Dept.: design@neometrixgroup.com

TITLE	ROTOR DYNAMIC TEST FACILITY			QA No.	
SUB-TITLE	GENERAL ARRANGEMENT			Cross Ref Doc No.:	
SRS CODE	A1973			Customer Dwg Ref No.	
CUSTOMER	Logo	--		NOTE :	
END USER	--				
TD/PO. No.	--	DATED	--		
PROJECTION	DRWN	M.F	18-01-2021	SIZE	SCALE
	CHK.	A.S	18-01-2021	A2	NFS
	APPR.	S.P.S	18-01-2021		
				SHEET	01 OF 01
				NEO DWG No.	T-PED-A1973-MDWG-BED
				REV	04