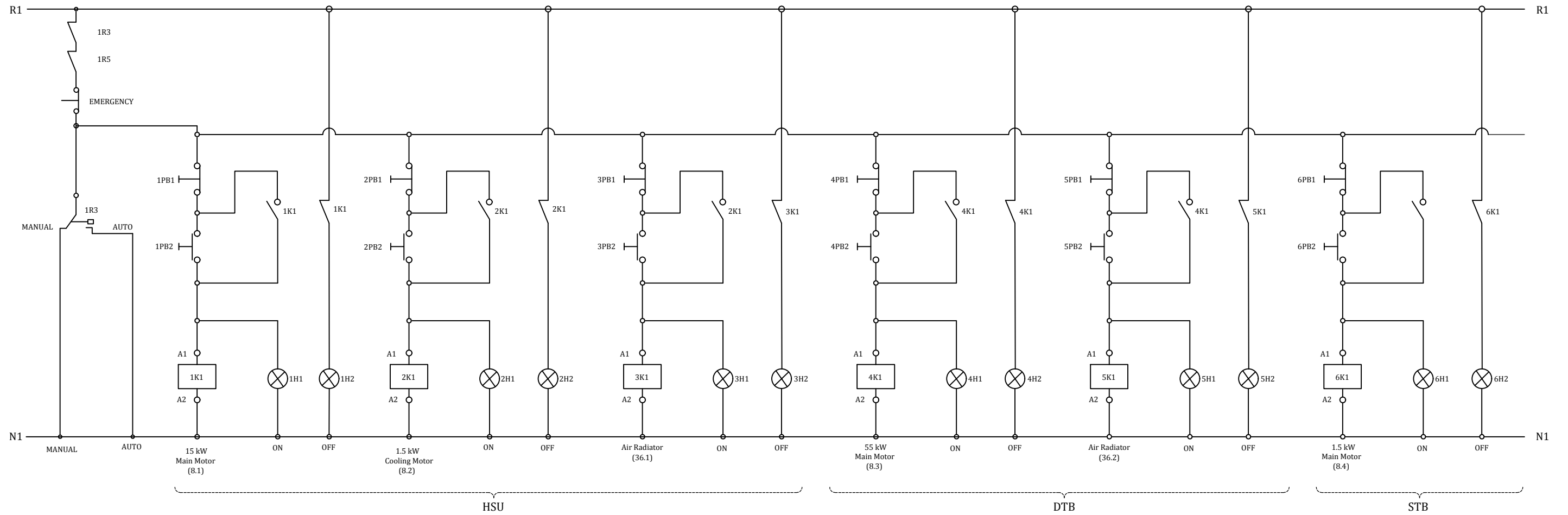


THIS DWG. IS SOLE PROPERTY OF NEOMETRIX ENGINEERING PVT. LTD.  
 UNAUTHORISED USE OF THIS DWG. OR MAKING PRODUCT AS PER THIS DWG.  
 WITHOUT OUR PERMISSION OR ANY OTHER MISUSE IS NOT PERMITTED.



### MOTOR CONTROLLING CIRCUIT

**ABBREVIATIONS :**  
 HSU - Hydraulic Suspension Unit  
 DBT - Damper Test Bench  
 STB - Static Test Bench  
 K - Connector  
 PB - Push Button

**NEOMETRIX**  
 www.neometrixgroup.com

NEOMETRIX ENGINEERING PVT.LTD.  
 E-148, Sector-63, Noida, UP-201301  
 Tel. No.- 0120-4500800  
 Fax No.- 0120-4500888  
 E Mail: contact@neometrixgroup.com

MAIN TITLE	HYDRAULIC SUSPENSION UNIT TEST RIG	O.A No.	
SUB-TITLE	HSU - MOTOR CONTROLLING CIRCUIT	CROSS REF. DOC.	
CODE	A1782	CUSTOMER DWG. / REF. No.	
CUSTOMER	L&T	NOTES:	
END-USER	L&T		
TENDER NO.			
PROJECTION	DRAWN BY & DATE	S.H	14/12/2017
	CHECKED BY & DATE	S.P.S	14/12/2017
	APPROVED BY & DATE	S.P.S	14/12/2017
SIZE	SCALE	SHEET	NEO. DWG. NO.
A2	NTS	No. OF	Rev.
		09	11
			T-PED-A1782-EDWG-HSU MCC
			00