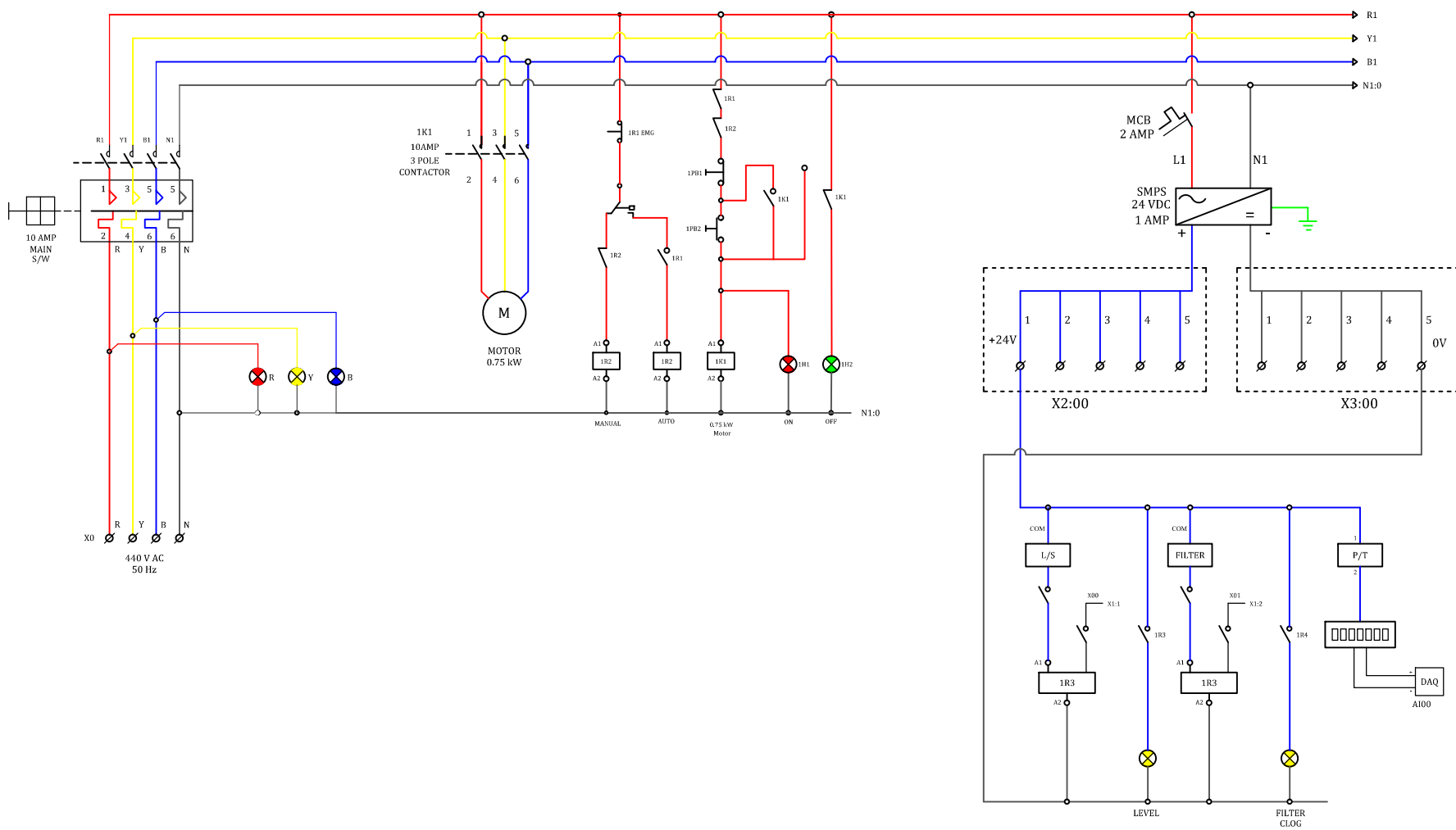


THIS DWG. IS SOLE PROPERTY OF NEOMETRIX ENGINEERING PVT. LTD.  
UNAUTHORISED USE OF THIS DWG. OR MAKING PRODUCT AS PER THIS DWG.  
WITHOUT OUR PERMISSION OR ANY OTHER MISUSE IS NOT PERMITTED.



**ABBREVIATIONS :**  
 HSU - Hydraulic Suspension Unit  
 DBT - Damper Test Bench  
 STB - Static Test Bench  
 K - Connector  
 PB - Push Button

**STATIC TEST BENCH - ELECTRICAL CIRCUIT**

<b>NEOMETRIX</b> www.neometrixgroup.com		NEOMETRIX ENGINEERING PVT.LTD. E-148, Sector-65, Noida, UP-201301 Tel.No- 0120-4500888 Fax No- 0120-4500888 E-Mail: contact@neometrixgroup.com	
		TENDER NO. _____ PRODUCTION _____ CHECKED BY & DATE _____ DESIGNED BY & DATE _____	SHEET NO. _____ OF _____ DATE _____ SIZE _____ SCALE _____ NTS _____
MAIN TITLE SUB-TITLE CODE CUSTOMER END-USER TENDER NO.	HYDRAULIC TEST EQUIPMENT FOR HSU STATIC TEST BENCH - ELECTRICAL CIRCUIT A1782 L&T L&T _____	TYP. No. _____ CROSS REF. DOC. _____ CUSTOMER DWG. / REF. No. _____ NOTES: _____	NEO. DWG. NO. _____ Rev. _____ T-PRD-A1782-EDWG-STB 00