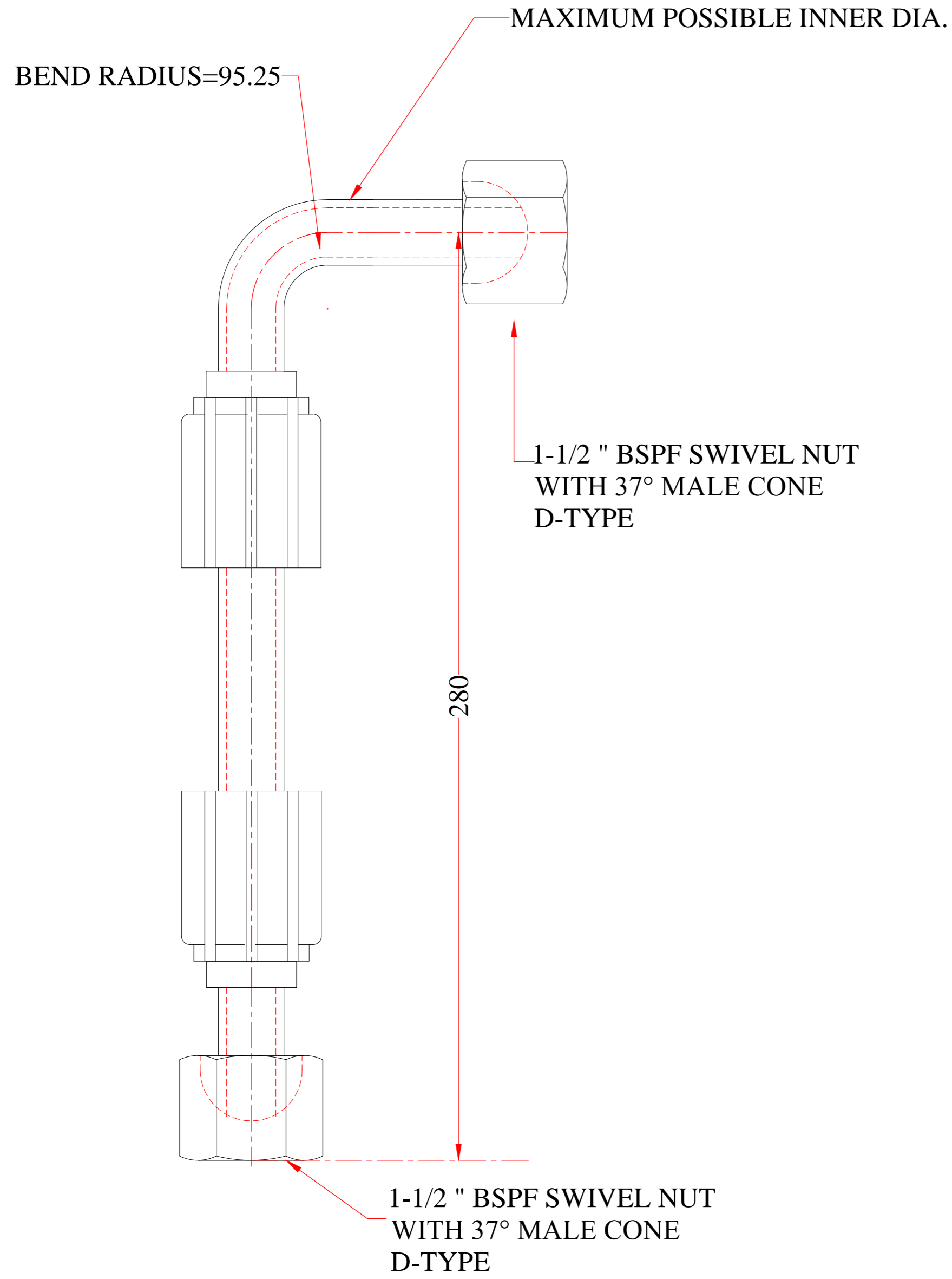


THIS DWG. IS SOLE PROPERTY OF NEOMETRIX ENGINEERING PVT. LTD.  
 UNAUTHORISED USE OF THIS DWG. OR MAKING PRODUCT AS PER THIS DWG.  
 WITHOUT OUR PERMISSION OR ANY OTHER MISUSE IS NOT PERMITTED.



WORKING PRESSURE: 280 BAR  
 MEDIUM: HYDRAULIC OIL  
 HYDROTEST: 420 BAR (5 min)  
 Material-MS WITH WHITE ZINC COATING  
 Qty-2

Note:-  
 • All Dimension are in mm.

**HOSE : ONE SIDE STRAIGHT AND OTHER SIDE L-BEND**

<b>NEOMETRIX</b>		NEOMETRIX ENGINEERING PVT.LTD. E-148, Sector-63, Noida, UP-201301 Tel. No. - 0120-4500800 Fax No. - 0120-4500888 E Mail: contact@neometrix.in	
MAIN TITLE	L&T	O.A No.	
SUB - TITLE	HOSE-	CROSS REF. DOC.	-
CODE	A1782	CUSTOMER DWG. / REF. No.	
CUSTOMER		NOTES:	
END USER			
APPLICATION			
PROJECTION	DRAWN BY & DATE	NK	19/03/18
	CHECKED BY & DATE	SK	19/03/18
	APPROVED BY & DATE	SPS	19/03/18
SIZE	SCALE	SHEET	
A4	NTS	No. OF	
		01	01
		NEO. DWG. NO.	Rev.
		NE-MDWG -A1782	00