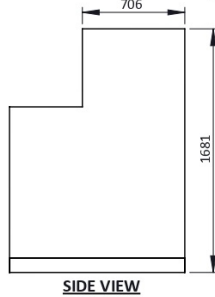
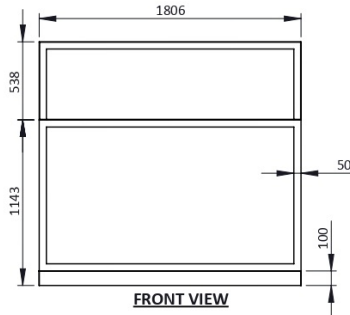
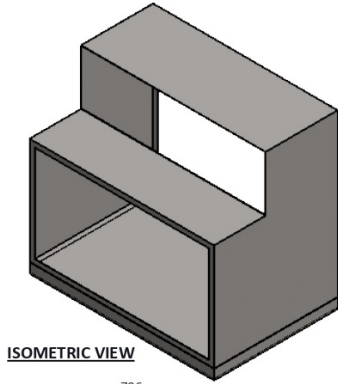
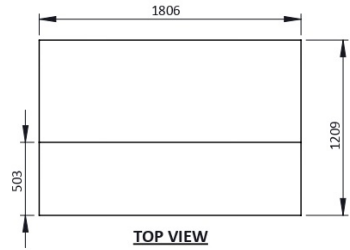
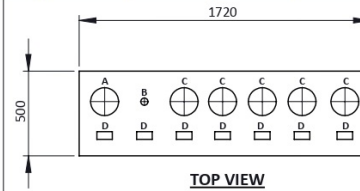


THIS DWG IS SOLE PROPERTY OF NEOMETRIX ENGINEERING PVT. LTD. UNAUTHORISED USE OF THIS DWG OR MAKING PRODUCT AS PER THIS DWG WITHOUT OUR PERMISSION OR ANY OTHER MISUSE IS NOT PERMITTED



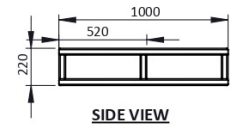
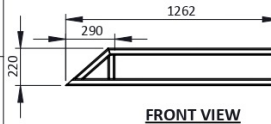
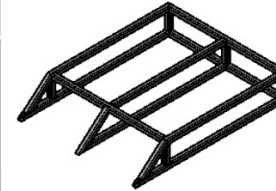
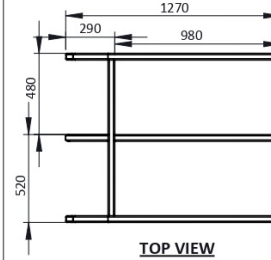
1



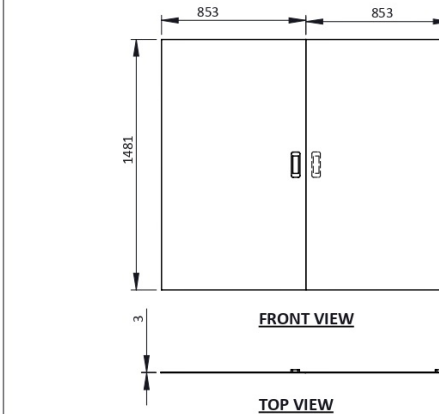
FRONT PANEL CUTOUT	
NAME	CUTOUT DIMENSION
A.	∅ 197
B.	∅ 43
C.	∅ 197
D.	93 X 47



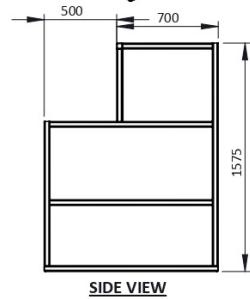
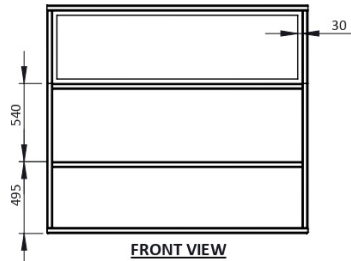
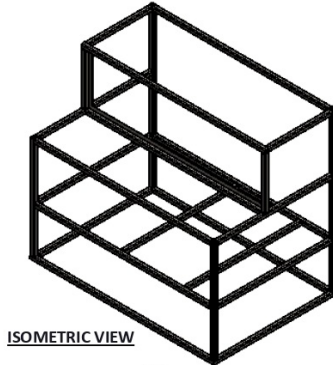
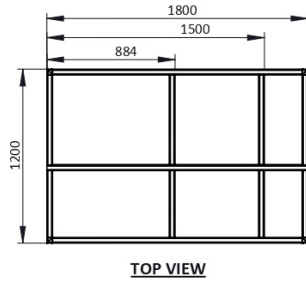
3



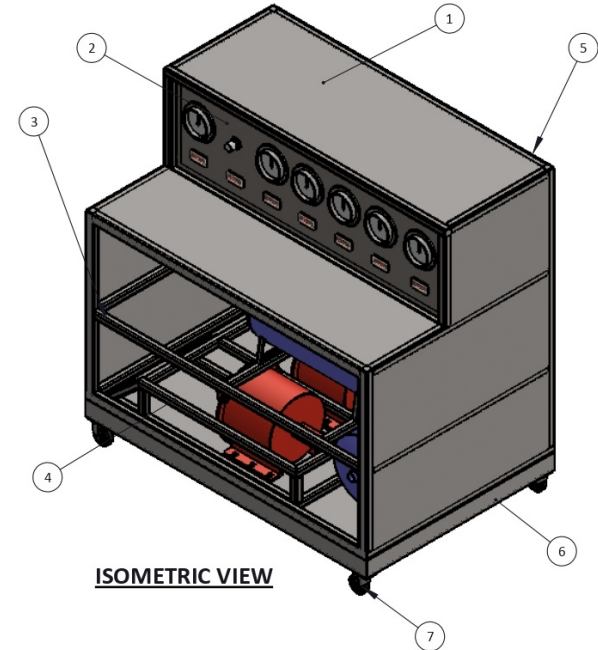
4



5



2



PART TABLE			
PART NO.	PART NAME	SPECIFICATION	DIMENSIONS
1.	CONTROL PANEL	MATERIAL: MILD STEEL	1806(L) X 1209(W) X 1681(H)
2.	PANEL FRAME	SQUARE TUBE: 40 X40X5	1800(L) X 1200(W) X1575(H)
3.	FRONT PANEL CUTOUT	SEPRATE DRAWING WILL BE PROVIDED	1700(L) X 3(W) X 500(H)
4.	FRAME OF BRAKE CYLINDER	SQUARE TUBE: 40X40X5	1270(L) X 1000(W) X 220(H)
5.	BACK DOOR FOR MAINTENANCE	MATERIAL: MILD STEEL	1706(L) X 3(W) X 1481(H)
6.	BASE SUPPORT FOR PANEL	C-CHANNEL: 100X50X5	1806(L) X 1209(W) X 100(H)
7.	CASTOR WHEEL	WITH LOCK PROVISION	STANDARD

A1721-DV TEST RIG

NOTE:
ALL DIMENSIONS ARE IN MM.
POWDER COATING: RAL 5005 (SIGNAL BLUE)

NEOMETRIX
www.neometrixgroup.com

NEOMETRIX ENGINEERING PVT LTD
E-148, Sector-63, Noida, UP-201301
Tel. No. :- 0120-4500800
Fax. No. :- 0120-4500888
Email :- contact@neometrixgroup.com

MAIN TITLE	DV TEST RIG	Q.A No.	
SUB - TITLE	TEST RIG	Cross Ref. Doc. No.	
CODE	A1721	Customer Dwg./Ref. No.	
CUSTOMER		Note:	
END - USER			
TENDER NO.	-----		
PROJECTION	DRAWN BY & DATE	N.K	01/05/2018
	CHECKED BY & DATE	S.K	01/05/2018
	APPROVED BY & DATE	S.P.S	01/05/2018
	Size	A3	
	Scale	NTS	
	Sheet	01	
	No. of	01	
	NEO. DWG. No.		
	T-PED-MDWG-DV TEST RIG		
	REV		00