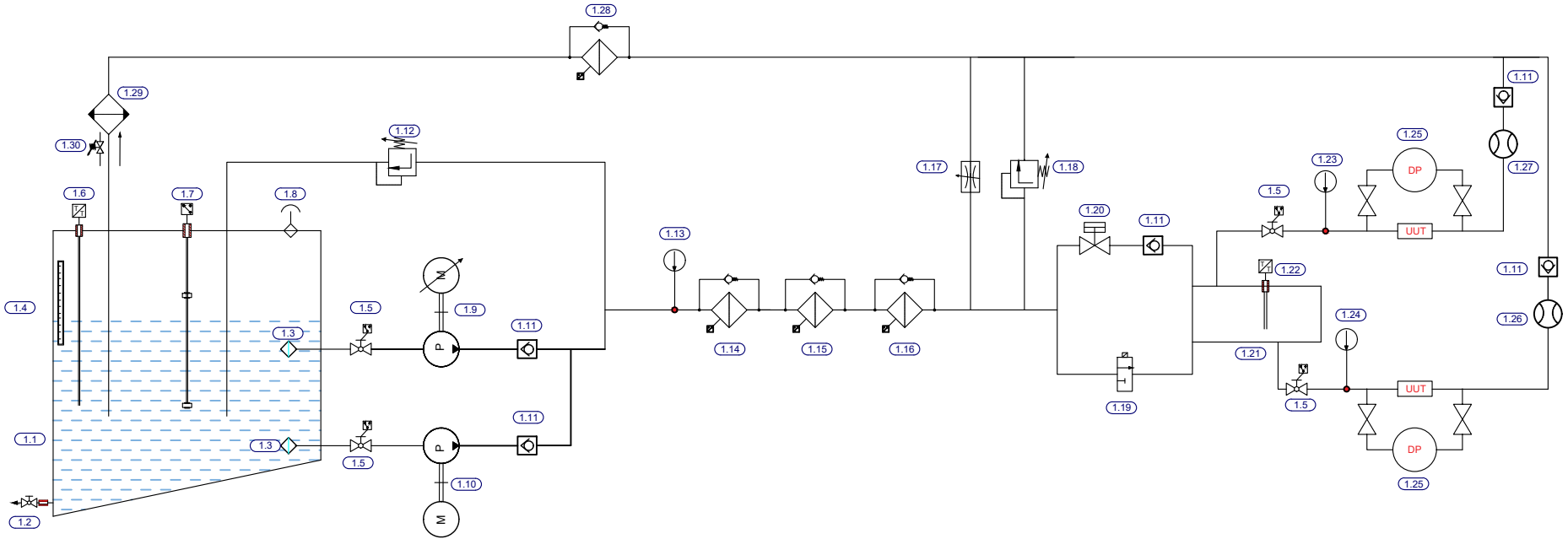


THIS DWG. IS SOLE PROPERTY OF NEOMETRIX ENGINEERING PVT. LTD.
 UNAUTHORISED USE OF THIS DWG. OR MAKING PRODUCT AS PER THIS DWG.
 WITHOUT OUR PERMISSION OR ANY OTHER MISUSE IS NOT PERMITTED.



		NEOMETRIX ENGINEERING PVT. LTD. E-148, Sector-63, Noida, UP-201301 Tel. No. :- 0120-4500800 Fax No. :- 0120-4500888 Email :- contact@neometrixgroup.com	
MAIN TITLE HYDRAULIC FILTER TEST RIG	QA No. 01		
SUB - TITLE HYDRAULIC CIRCUIT DIAGRAM	Cross Ref./Doc. No. Customer Dwg./Ref. No.		
CODE A3035	Note : -----		
CUSTOMER -----	END USER -----		
PO. No. -----	PROJECTION 		
DRAWN BY & DATE A.K 28-04-2022	CHECKED BY & DATE S.K 28-04-2022	Size A3	Scale 1:1
APPROVED BY & DATE S.P.S 28-04-2022	Drawn By A.K	Checked By S.K	Scale 1:1
NEO. DWG. No. T504P-A3035-H010			REV 00