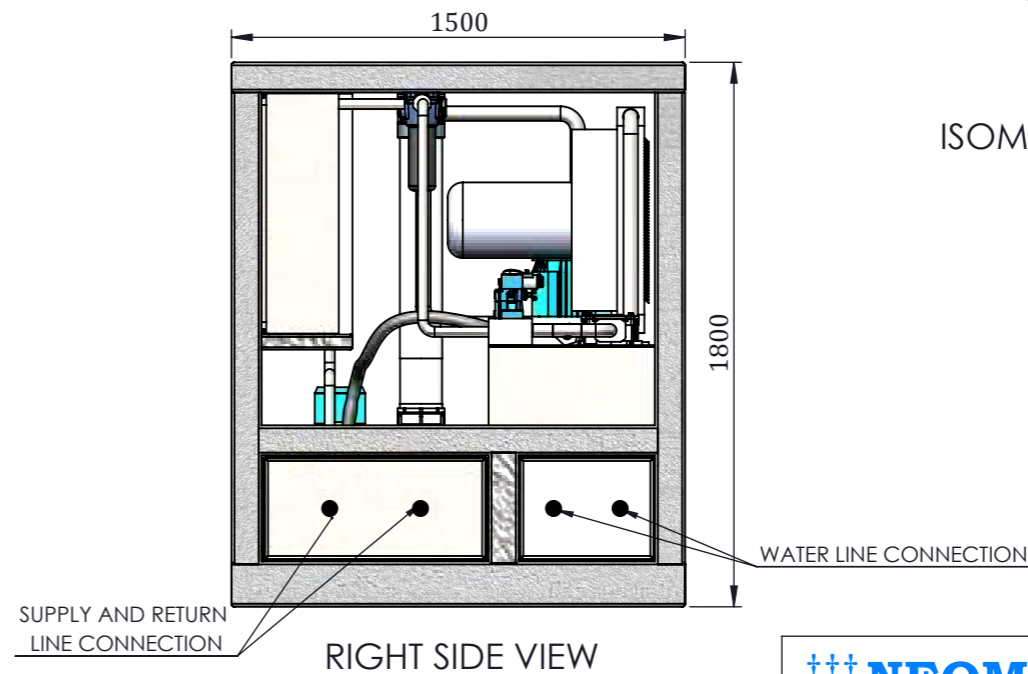
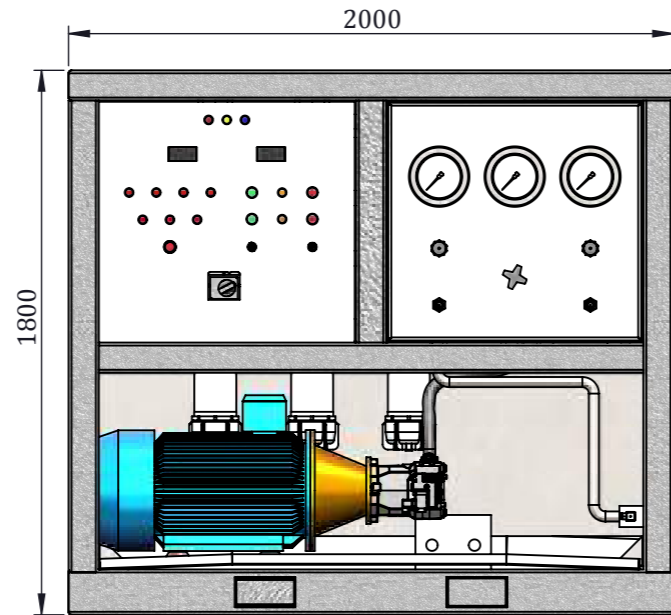
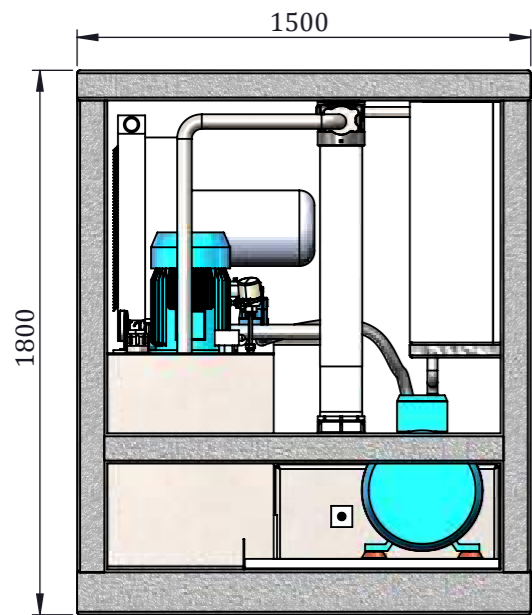
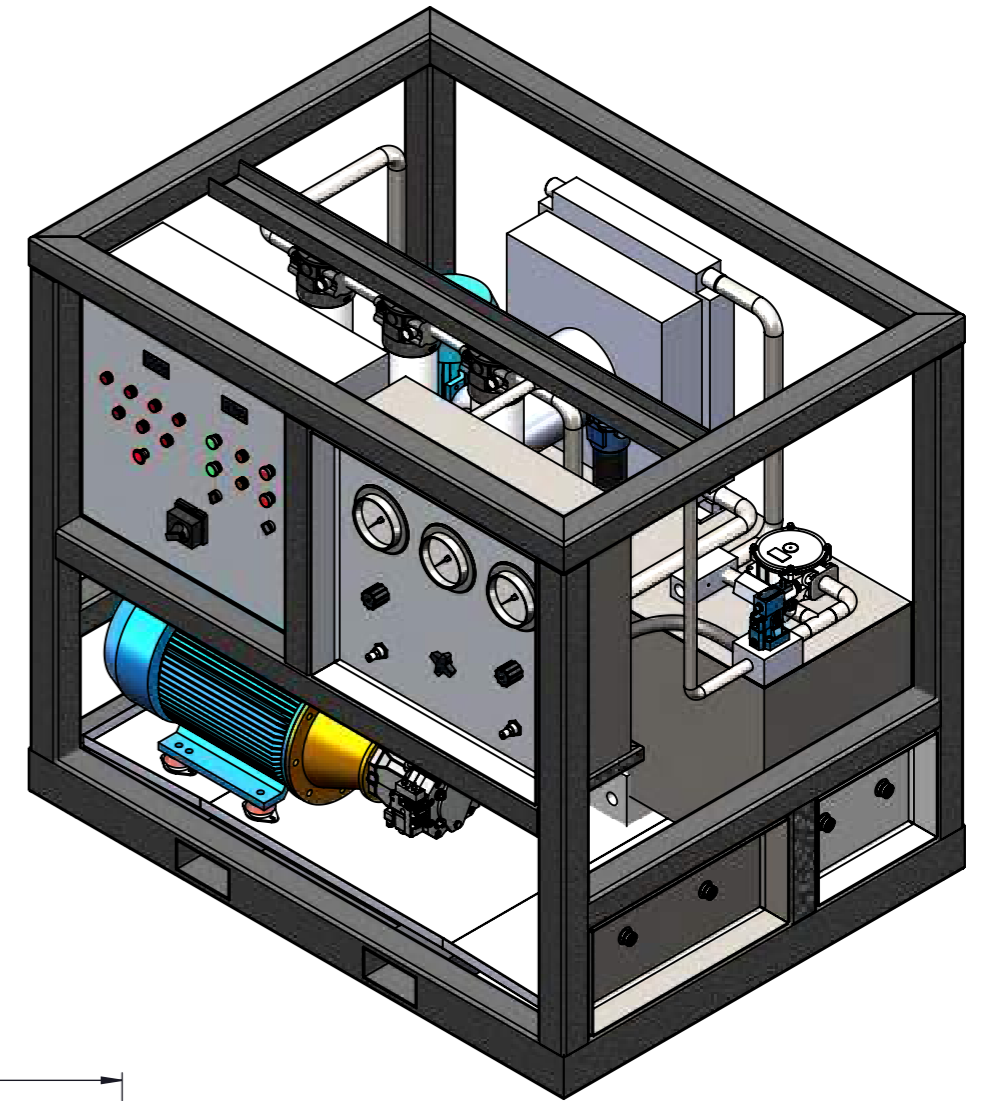
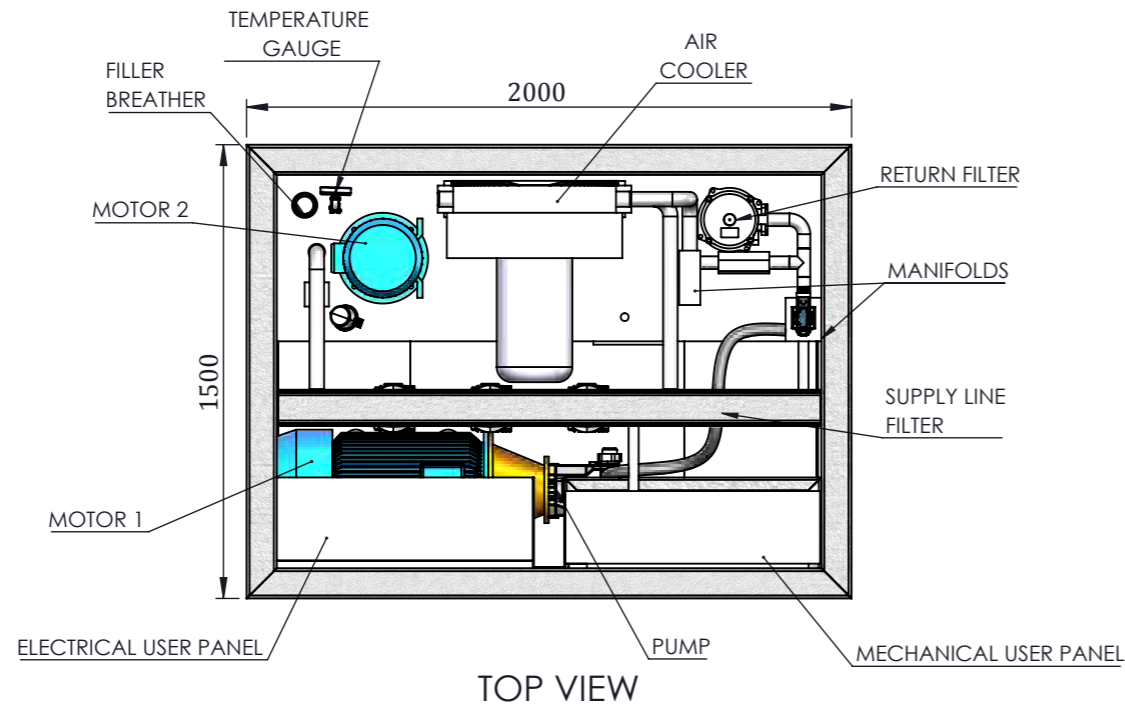


THIS DWG. IS SOLE PROPERTY OF NEOMETRIX ENGINEERING PVT. LTD.
 UNAUTHORISED USE OF THIS DWG. OR MAKING PRODUCT AS PER THIS
 DWG. WITHOUT OUR PERMISSION OR ANY OTHER MISUSE IS NOT
 PERMITTED.



- NOTE:
1. ALL DIMENSIONS ARE IN mm.
 2. BASE PIPE DIMENSION 150X100X5mm.
 3. FRAME PIPE DIMENSION 100X100X5mm.
 4. C CHANNEL(100X50X5mm) IS USED FOR FILTER MOUNTING.

 www.neometrixgroup.com		NEOMETRIX ENGINEERING PVT. LTD.	
		E-148, Sector-63, Noida, UP-201301 Tel. No. :- 0120-4500800 Fax No. :- 0120-4500888 Email :- contact@neometrixgroup.com	
MAIN TITLE	FLUSHING RIG	QA No.	
SUB - TITLE	GA DRAWING	Cross Ref. Doc. No.	
CODE	A2026	Customer Dwg./Ref. No.	
CUSTOMER	----	Note :	
END USER	----		
PO. NO.	----		
PROJECTION	DRAWN BY & DATE	ZISHAN A	19/10/2019
	CHECKED BY & DATE	A.A.	19/10/2019
	APPROVED BY & DATE	S.P.S	19/10/2019
Size	Scale	Sheet	NEO. DWG. No.
A3	NTS	No. Of	REV
		01	01
			T-PED-A2026-GADWG
			03