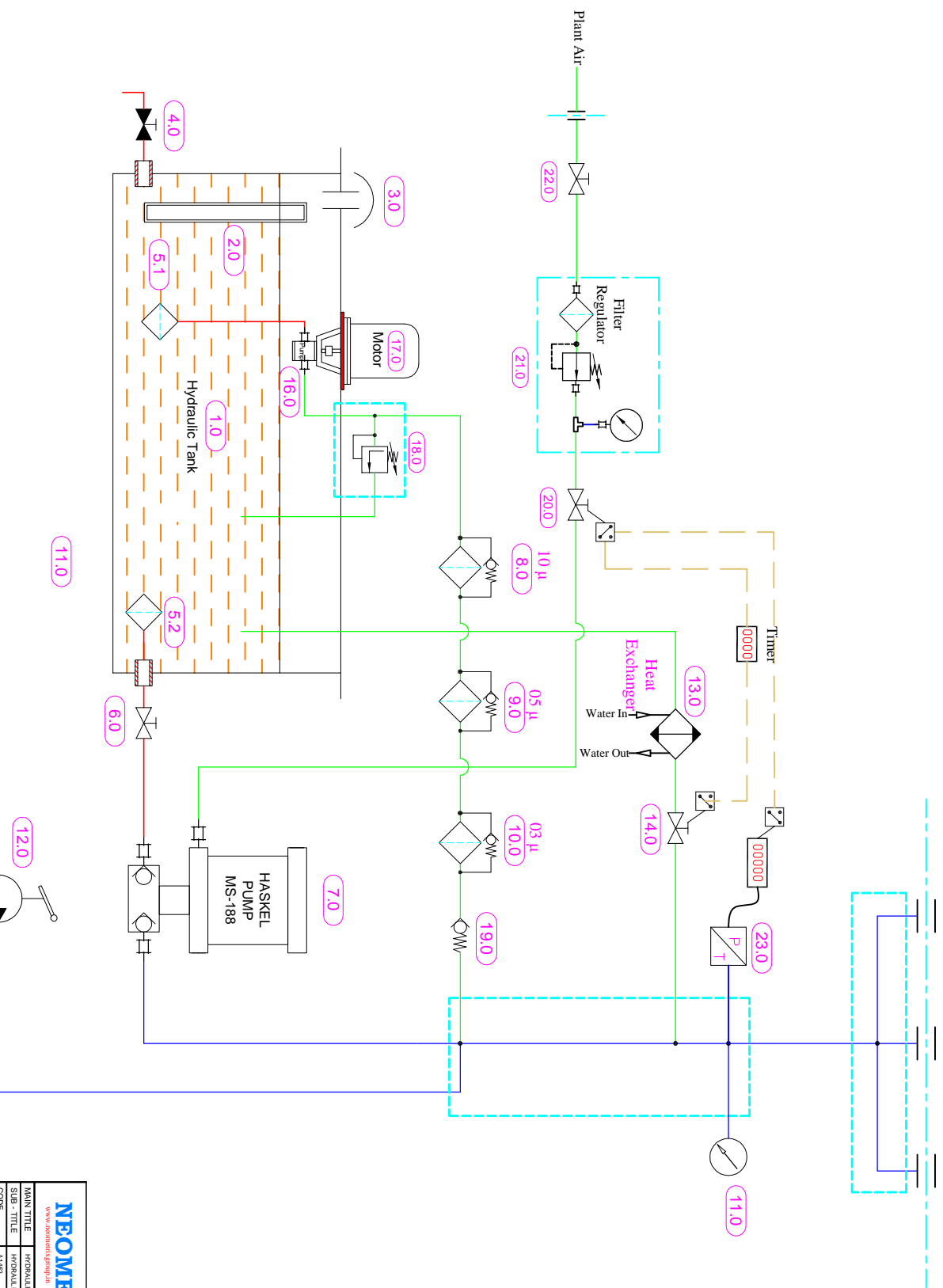


THIS DWG. IS SOLE PROPERTY OF NEOMETRIX ENGINEERING PVT. LTD.
 UNAUTHORISED USE OF THIS DWG. OR MAKING PRODUCT AS PER THIS DWG.
 WITHOUT OUR PERMISSION OR ANY OTHER MISUSE IS NOT PERMITTED.

HYDRAULIC CIRCUIT



Colour	Pipe Size
Blue	1/4"
Green	1/2"
Red	3/4"

NEOMETRIX		NEOMETRIX ENGINEERING PVT. LTD.	
www.neometrixgroup.in		E-148, Sector-63, Noida, UP-201301	
MAIN TITLE: HYDRAULIC HOISTABLE PROOF TEST STAND		E-Mail: sales@neometrixgroup.com	
SUB-TITLE: HYDRAULIC CIRCUIT DIAGRAM		Tel. No.: 0120-4500000	
CODE: A182		Fax. No.: 0120-4500000	
CUSTOMER: HAL BANGLORE		E-Mail: sales@neometrixgroup.com	
END USER: HAL BANGLORE		PO No. 447178, DATED: 29 March 2015	
PROJECTION: DRAWING & DATE: 23/03/15		SCALE: SHEET: 01 OF 01	
DRAWN BY: SSS		SIZE: A2	
CHECKED BY: SSS		NTS	
DATE: 23/03/15		REV: 00	
NOTES:		NEO DWG. NO.:	
		REV.:	