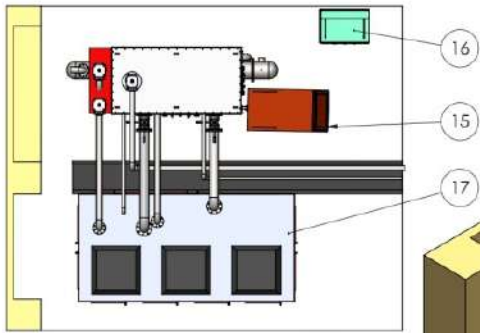
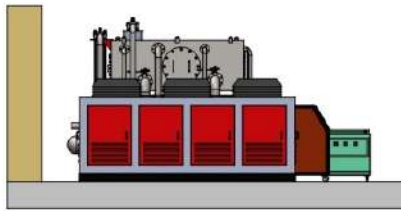


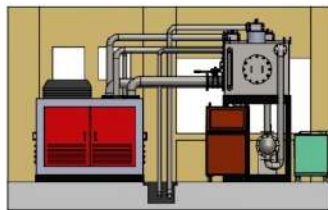
THIS DWG IS SOLE PROPERTY OF NEOMETRIX ENGINEERING PVT. LTD.
 UNLAWFUL REUSE OF THIS DWG OR MARKING PRODUCT AS PER THIS
 DWG WITHOUT OUR PERMISSION OR ANY OTHER MISTAKE IS NOT
 PERMITTED



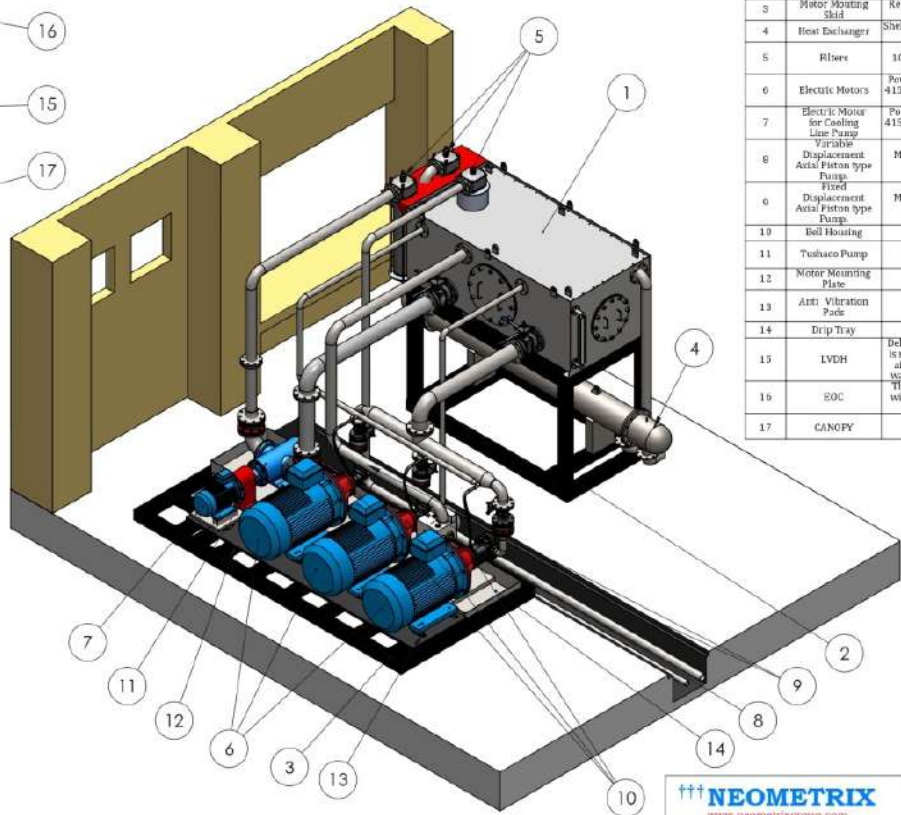
TOP VIEW



FRONT VIEW



SIDE VIEW



POWER PACK ROOM

ITEM DESCRIPTION			
ITEM NO.	ITEM NAME	DESCRIPTION	QTY
1	Oil Reservoir	2000 Litre Material of Construction : SS304. The reservoir shall be designed 2000 Liters of hydraulic oil	1
2	Tank skid	Rectangular section 150x100x5mm Material:MS	1
3	Motor Mounting Skid	Rectangular section 150x100x5mm Material:MS	1
4	Heat Exchanger	Shell and tube type Cap:500 KW, Flow :2001 PM	1
5	Risers	Cooling line Filter:10micron, 10micron, 3micron with Flow 850 LPM	3
6	Electric Motors	Power Capacity:11 KW/3 phase AC, 415 V ±10%, 50 HZ ± 5%, 1400-1500 rpm	3
7	Electric Motor for Cooling Line Pump	Power capacity :11 KW/3 phase AC, 415 V ±10%, 50 HZ ± 5%, 1400-1500 rpm	1
8	Displacement Acted Piston type Pump	Max. Operating pressure: 250bar, 220rpm,1440 rpm	1
9	Displacement Acted Piston type Pump	Max. Operating pressure: 250bar, 220rpm,1440 rpm	2
10	Ball Housing	To suit pump and Motor	3
11	Turbaco Pump	850 LPM,1450 rpm	1
12	Motor Mounting Plate	Material:MS	3
13	Airt/Vibration Pad	Suitable for Motor	18
14	Drip Tray	Material:MS	2
15	LVDH	Dehydration and Degaussification unit is required for removing entrapped air in hydraulic oil and removing water moisture from hydraulic oil.	1
16	EOC	The power pack shall be equipped with an Electro-static oil cleaner of capacity 100 Litre	1
17	CANOPY	SOUND PROOF CANOPY	1

NEOMETRIX
 www.neometrixgroup.com

NEOMETRIX ENGINEERING PVT. LTD.
 E-1-88, Sector-03, Noida, UP-201101
 Tel. No. : 0120-980800
 Fax No. : 0120-450683
 Email : sales@neometrixgroup.com

MAIN TITLE	HYDRAULIC POWER PACK AND ACTUATED SYSTEM	Q.ty	
SUB-TITLE	POWER PACK ROOM	Drawn Date	
CODE	A1637	Customer	Proj./Ref. No.
CUSTOMER		Name	
END-USER			
PO. NO.	237687	DATED:	18/12/2018
DESIGNED BY	SHR/MS/SPS	CHK	16/02/2019
DRAWN BY	HR	CHK	24/02/2019
APPROVED BY	SPS	CHK	16/02/2019
		REV	07