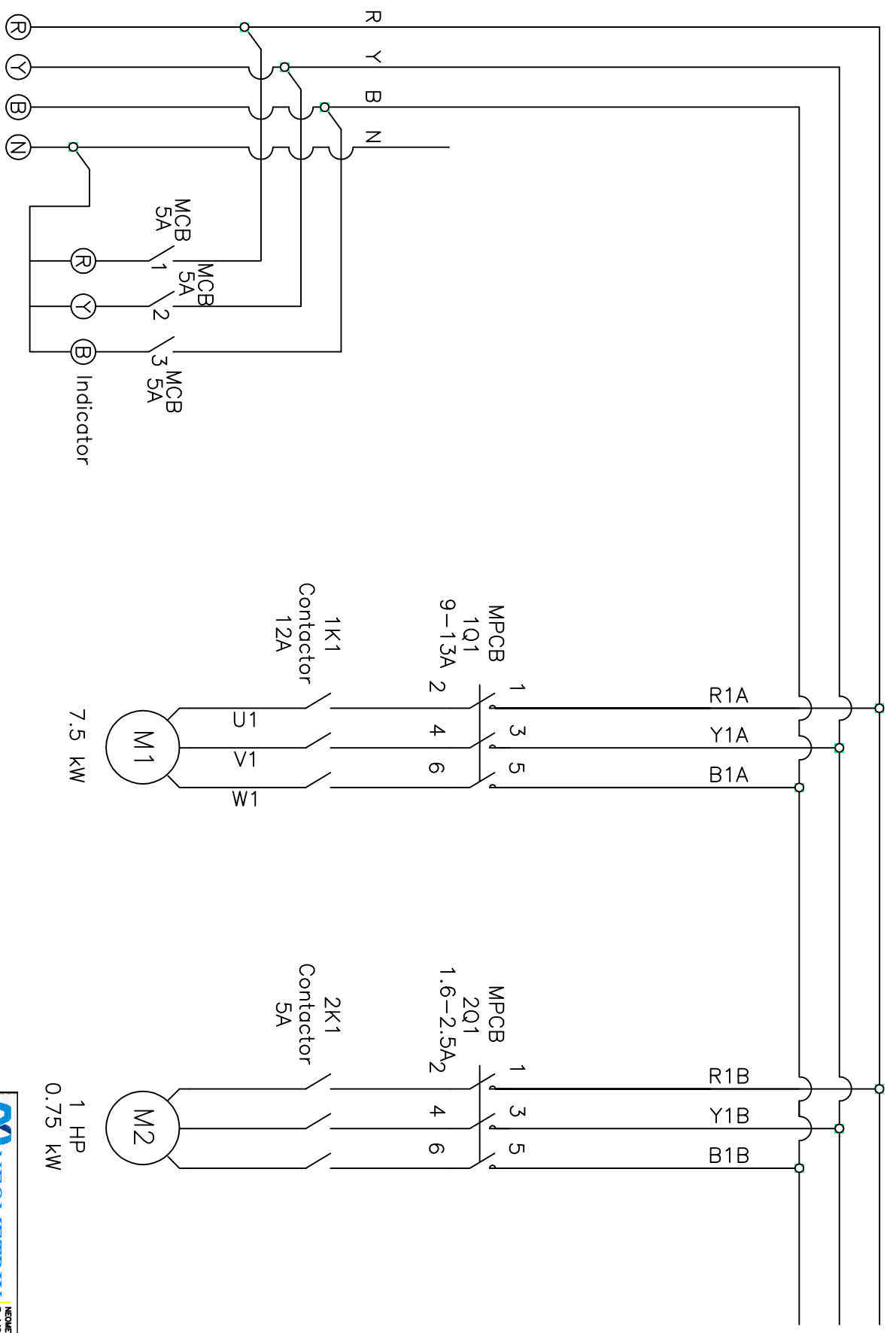


THIS DWG. IS SOLE PROPERTY OF NEOMETRIX ENGINEERING PVT. LTD. UNAUTHORIZED USE OF THIS DWG. OR MAKING PRODUCT AS PER THIS DWG. WITHOUT OUR PERMISSION OR ANY OTHER AGENCIES IS NOT PERMITTED.

ELECTRICAL CIRCUIT DIAGRAM

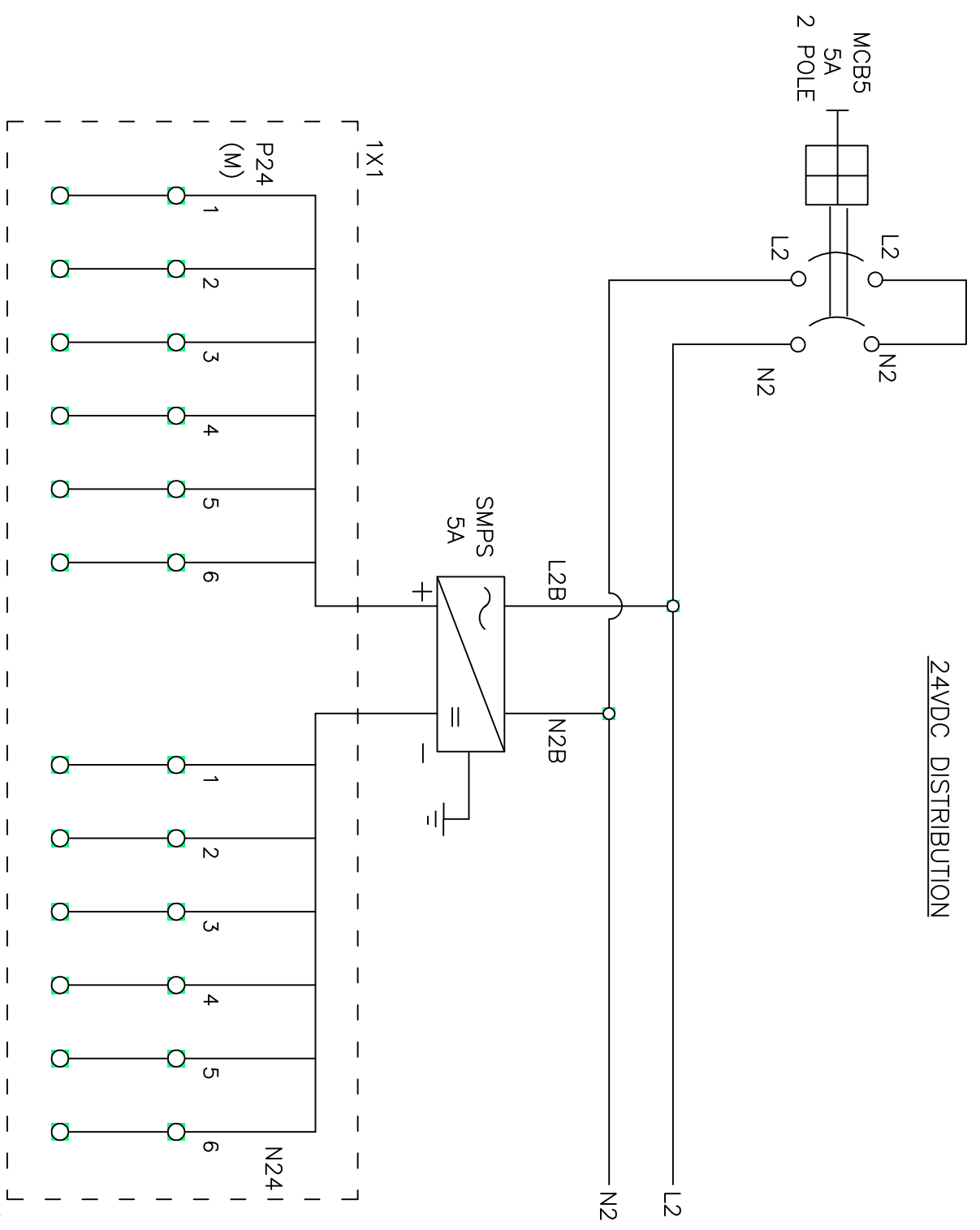


NEOMETRIX ENGINEERING PVT.LTD.
 E-148, Sector-63, Noida, UP-201301
 Tel. No. - 0120-4500800
 Fax. No. - 0120-4500808
 E Mail: convent@neometrixgroup.com
www.neometrixgroup.com

MAIN TITLE	HYDRAULIC PRESSURE TEST PRO
SUB-TITLE	ELECTRICAL CIRCUIT DIAGRAM
CODE	A1469
CUSTOMER	HAL-BANGALORE (AIRCRAFT DIVISION)
END-USER	HAL-BANGALORE (AIRCRAFT DIVISION)
TENDER NO.	
PROJECTION DRAWING BY & DATE	SK / 22/07/13
DESIGNED BY & DATE	SK / 22/07/13
CHECKED BY & DATE	AKZ / 22/07/13
APPROVED BY & DATE	NTS / 07/08/13
SIZE	A2
SCALE	1:1
SHEET NO.	00
TOTAL SHEETS	01
NEO. DWG. NO.	
REV. NO.	
DATE	
BY	
CHKD	
APPD	
DATE	
BY	
CHKD	
APPD	
DATE	

THIS DWG. IS SOLE PROPERTY OF NEOMETRIX ENGINEERING PVT. LTD. UNAUTHORIZED USE OF THIS DWG. OR MAKING PRODUCT AS PER THIS DWG. WITHOUT OUR PERMISSION OR ANY OTHER MISUSE IS NOT PERMITTED.

24VDC DISTRIBUTION

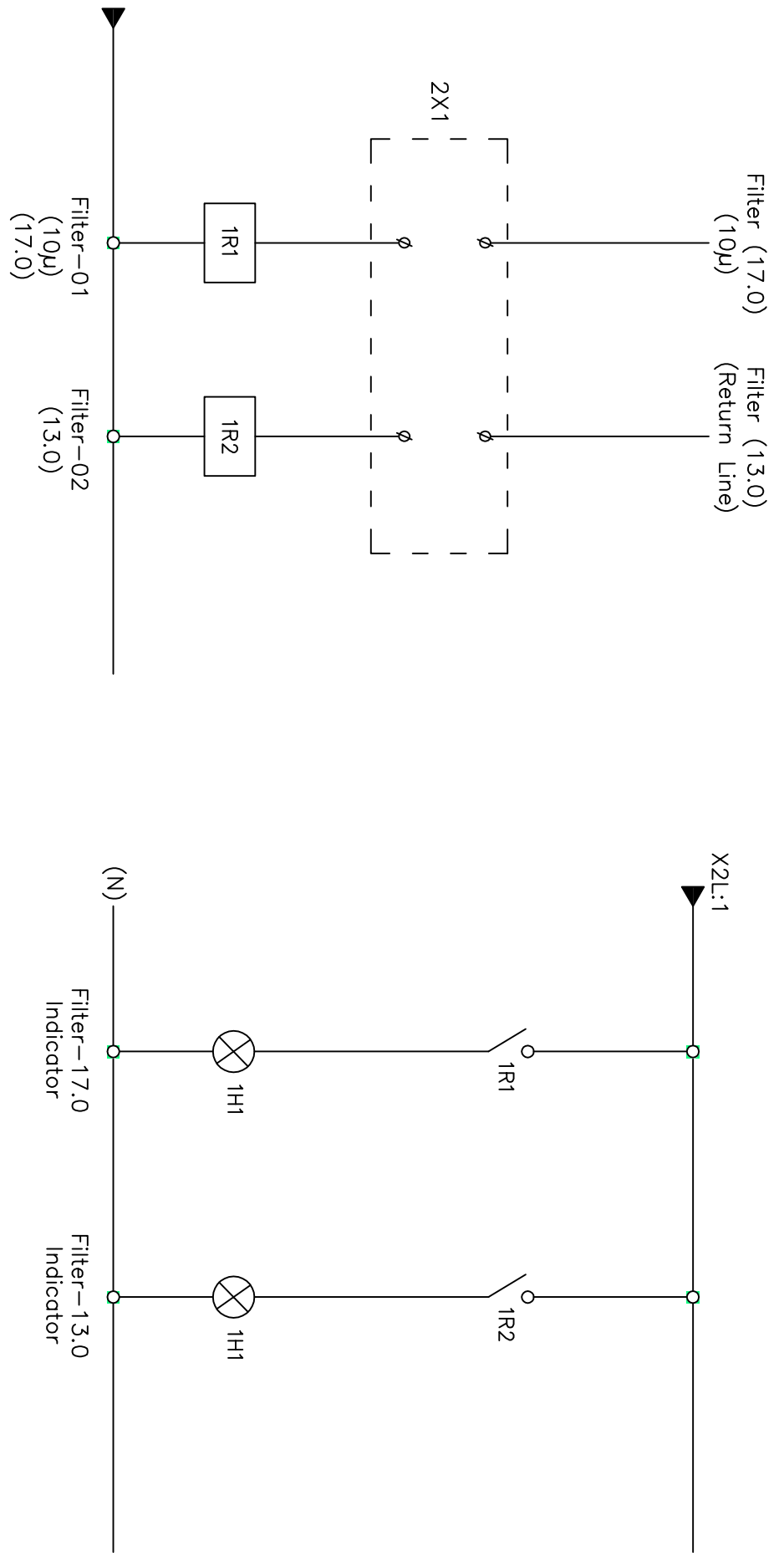


NEOMETRIX ENGINEERING PVT.LTD.
 E-148, Sector-63, Noida, UP-201301
 Tel. No. - 0120-4500800
 Fax. No. - 0120-4500808
 E Mail: convent@neometrixgroup.com

MAIN TITLE	HYDRAULIC PRESSURE TEST RIG	CLIENT	NEO. DWG. NO. 1
SUB-TITLE	24VDC DISTRIBUTION	DATE	12/07/13
CODE	A1469	DESIGNED BY	NEO
CUSTOMER	HAL-BANGALORE (AIRCRAFT DIVISION)	CHECKED BY	NEO
END-USER	HAL-BANGALORE (AIRCRAFT DIVISION)	DATE	12/07/13
TENDER NO.		SCALE	A2
PROJECTION	1ST ANGLE	SIZE	A2
DATE	12/07/13	SHEET	1
BY	NEO	TOTAL SHEETS	1
CHECKED	NEO	BY	NEO
DATE	12/07/13	NO.	00

THIS DWG. IS SOLE PROPERTY OF NEOMETRIX ENGINEERING PVT. LTD. UNAUTHORIZED USE OF THIS DWG. OR MAKING PRODUCT AS PER THIS DWG. WITHOUT OUR PERMISSION OR ANY OTHER MISUSE IS NOT PERMITTED.

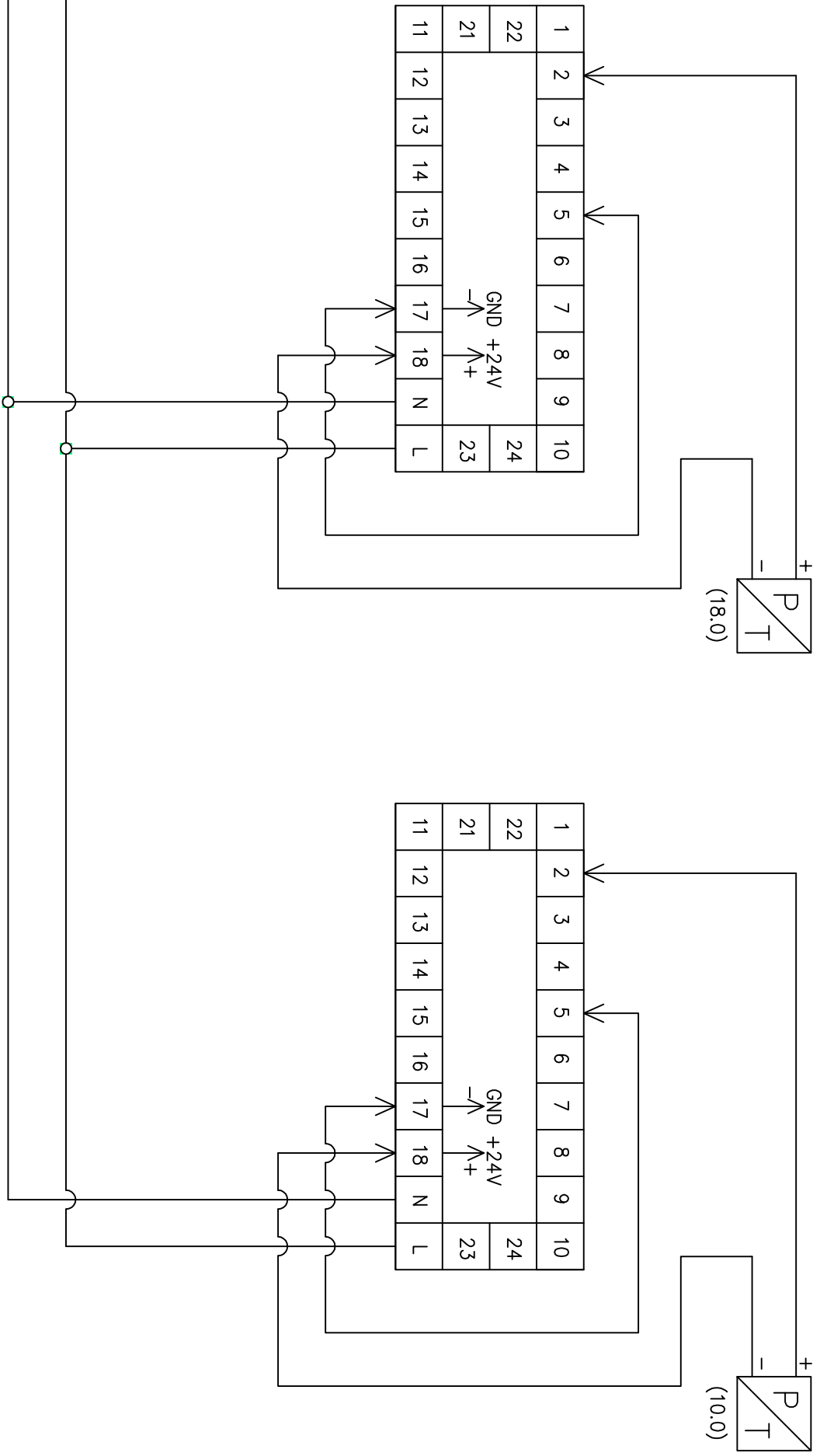
FILTER CLOGGING INDICATION



NEOMETRIX ENGINEERING PVT.LTD.		E-148, Sector-63, Noida, UP-201301	
www.neometrixgroup.com		Tel. No.- 0120-4500800	
www.neometrixgroup.com		Fax. No.- 0120-4500808	
www.neometrixgroup.com		E Mail: contact@neometrixgroup.com	
MAIN TITLE	HYDRAULIC PRESSURE TEST Pkg	PROJECTION	ISO 1ST ANGLE
SUB-TITLE	FILTER CLOGGING INDICATION	SCALE	AS SHOWN
CODE	A1469	DATE	18/07/13
CUSTOMER	HAL-BANGALORE (AIRCRAFT DIVISION)	DESIGNER	AS
END-USER	HAL-BANGALORE (AIRCRAFT DIVISION)	CHECKED BY	AS
TENDER NO.		DATE	18/07/13
PROJECT	SR-12/07/13	SIZE	A2
PROJ. NO.		SCALE	1:1
PROJ. NAME		SHEET NO.	00
PROJ. DATE		TITLE	NEO. DWG. NO. 1
PROJ. BY		DATE	18/07/13
PROJ. CHECKED BY		DATE	18/07/13
PROJ. APPROVED BY		DATE	18/07/13
PROJ. REVISION		DATE	18/07/13
PROJ. COMMENTS		DATE	18/07/13
PROJ. STATUS		DATE	18/07/13
PROJ. TYPE		DATE	18/07/13
PROJ. NO.		DATE	18/07/13
PROJ. NAME		DATE	18/07/13
PROJ. DATE		DATE	18/07/13
PROJ. BY		DATE	18/07/13
PROJ. CHECKED BY		DATE	18/07/13
PROJ. APPROVED BY		DATE	18/07/13
PROJ. REVISION		DATE	18/07/13
PROJ. COMMENTS		DATE	18/07/13
PROJ. STATUS		DATE	18/07/13
PROJ. TYPE		DATE	18/07/13
PROJ. NO.		DATE	18/07/13
PROJ. NAME		DATE	18/07/13
PROJ. DATE		DATE	18/07/13
PROJ. BY		DATE	18/07/13
PROJ. CHECKED BY		DATE	18/07/13
PROJ. APPROVED BY		DATE	18/07/13
PROJ. REVISION		DATE	18/07/13
PROJ. COMMENTS		DATE	18/07/13
PROJ. STATUS		DATE	18/07/13
PROJ. TYPE		DATE	18/07/13
PROJ. NO.		DATE	18/07/13
PROJ. NAME		DATE	18/07/13
PROJ. DATE		DATE	18/07/13
PROJ. BY		DATE	18/07/13
PROJ. CHECKED BY		DATE	18/07/13
PROJ. APPROVED BY		DATE	18/07/13
PROJ. REVISION		DATE	18/07/13
PROJ. COMMENTS		DATE	18/07/13
PROJ. STATUS		DATE	18/07/13
PROJ. TYPE		DATE	18/07/13
PROJ. NO.		DATE	18/07/13
PROJ. NAME		DATE	18/07/13
PROJ. DATE		DATE	18/07/13
PROJ. BY		DATE	18/07/13
PROJ. CHECKED BY		DATE	18/07/13
PROJ. APPROVED BY		DATE	18/07/13
PROJ. REVISION		DATE	18/07/13
PROJ. COMMENTS		DATE	18/07/13
PROJ. STATUS		DATE	18/07/13
PROJ. TYPE		DATE	18/07/13
PROJ. NO.		DATE	18/07/13
PROJ. NAME		DATE	18/07/13
PROJ. DATE		DATE	18/07/13
PROJ. BY		DATE	18/07/13
PROJ. CHECKED BY		DATE	18/07/13
PROJ. APPROVED BY		DATE	18/07/13
PROJ. REVISION		DATE	18/07/13
PROJ. COMMENTS		DATE	18/07/13
PROJ. STATUS		DATE	18/07/13
PROJ. TYPE		DATE	18/07/13
PROJ. NO.		DATE	18/07/13
PROJ. NAME		DATE	18/07/13
PROJ. DATE		DATE	18/07/13
PROJ. BY		DATE	18/07/13
PROJ. CHECKED BY		DATE	18/07/13
PROJ. APPROVED BY		DATE	18/07/13
PROJ. REVISION		DATE	18/07/13
PROJ. COMMENTS		DATE	18/07/13
PROJ. STATUS		DATE	18/07/13
PROJ. TYPE		DATE	18/07/13
PROJ. NO.		DATE	18/07/13
PROJ. NAME		DATE	18/07/13
PROJ. DATE		DATE	18/07/13
PROJ. BY		DATE	18/07/13
PROJ. CHECKED BY		DATE	18/07/13
PROJ. APPROVED BY		DATE	18/07/13
PROJ. REVISION		DATE	18/07/13
PROJ. COMMENTS		DATE	18/07/13
PROJ. STATUS		DATE	18/07/13
PROJ. TYPE		DATE	18/07/13
PROJ. NO.		DATE	18/07/13
PROJ. NAME		DATE	18/07/13
PROJ. DATE		DATE	18/07/13
PROJ. BY		DATE	18/07/13
PROJ. CHECKED BY		DATE	18/07/13
PROJ. APPROVED BY		DATE	18/07/13
PROJ. REVISION		DATE	18/07/13
PROJ. COMMENTS		DATE	18/07/13
PROJ. STATUS		DATE	18/07/13
PROJ. TYPE		DATE	18/07/13
PROJ. NO.		DATE	18/07/13
PROJ. NAME		DATE	18/07/13
PROJ. DATE		DATE	18/07/13
PROJ. BY		DATE	18/07/13
PROJ. CHECKED BY		DATE	18/07/13
PROJ. APPROVED BY		DATE	18/07/13
PROJ. REVISION		DATE	18/07/13
PROJ. COMMENTS		DATE	18/07/13
PROJ. STATUS		DATE	18/07/13
PROJ. TYPE		DATE	18/07/13
PROJ. NO.		DATE	18/07/13
PROJ. NAME		DATE	18/07/13
PROJ. DATE		DATE	18/07/13
PROJ. BY		DATE	18/07/13
PROJ. CHECKED BY		DATE	18/07/13
PROJ. APPROVED BY		DATE	18/07/13
PROJ. REVISION		DATE	18/07/13
PROJ. COMMENTS		DATE	18/07/13
PROJ. STATUS		DATE	18/07/13
PROJ. TYPE		DATE	18/07/13
PROJ. NO.		DATE	18/07/13
PROJ. NAME		DATE	18/07/13
PROJ. DATE		DATE	18/07/13
PROJ. BY		DATE	18/07/13
PROJ. CHECKED BY		DATE	18/07/13
PROJ. APPROVED BY		DATE	18/07/13
PROJ. REVISION		DATE	18/07/13
PROJ. COMMENTS		DATE	18/07/13
PROJ. STATUS		DATE	18/07/13
PROJ. TYPE		DATE	18/07/13
PROJ. NO.		DATE	18/07/13
PROJ. NAME		DATE	18/07/13
PROJ. DATE		DATE	18/07/13
PROJ. BY		DATE	18/07/13
PROJ. CHECKED BY		DATE	18/07/13
PROJ. APPROVED BY		DATE	18/07/13
PROJ. REVISION		DATE	18/07/13
PROJ. COMMENTS		DATE	18/07/13
PROJ. STATUS		DATE	18/07/13
PROJ. TYPE		DATE	18/07/13
PROJ. NO.		DATE	18/07/13
PROJ. NAME		DATE	18/07/13
PROJ. DATE		DATE	18/07/13
PROJ. BY		DATE	18/07/13
PROJ. CHECKED BY		DATE	18/07/13
PROJ. APPROVED BY		DATE	18/07/13
PROJ. REVISION		DATE	18/07/13
PROJ. COMMENTS		DATE	18/07/13
PROJ. STATUS		DATE	18/07/13
PROJ. TYPE		DATE	18/07/13
PROJ. NO.		DATE	18/07/13
PROJ. NAME		DATE	18/07/13
PROJ. DATE		DATE	18/07/13
PROJ. BY		DATE	18/07/13
PROJ. CHECKED BY		DATE	18/07/13
PROJ. APPROVED BY		DATE	18/07/13
PROJ. REVISION		DATE	18/07/13
PROJ. COMMENTS		DATE	18/07/13
PROJ. STATUS		DATE	18/07/13
PROJ. TYPE		DATE	18/07/13
PROJ. NO.		DATE	18/07/13
PROJ. NAME		DATE	18/07/13
PROJ. DATE		DATE	18/07/13
PROJ. BY		DATE	18/07/13
PROJ. CHECKED BY		DATE	18/07/13
PROJ. APPROVED BY		DATE	18/07/13
PROJ. REVISION		DATE	18/07/13
PROJ. COMMENTS		DATE	18/07/13
PROJ. STATUS		DATE	18/07/13
PROJ. TYPE		DATE	18/07/13
PROJ. NO.		DATE	18/07/13
PROJ. NAME		DATE	18/07/13
PROJ. DATE		DATE	18/07/13
PROJ. BY		DATE	18/07/13
PROJ. CHECKED BY		DATE	18/07/13
PROJ. APPROVED BY		DATE	18/07/13
PROJ. REVISION		DATE	18/07/13
PROJ. COMMENTS		DATE	18/07/13
PROJ. STATUS		DATE	18/07/13
PROJ. TYPE		DATE	18/07/13
PROJ. NO.		DATE	18/07/13
PROJ. NAME		DATE	18/07/13
PROJ. DATE		DATE	18/07/13
PROJ. BY		DATE	18/07/13
PROJ. CHECKED BY		DATE	18/07/13
PROJ. APPROVED BY		DATE	18/07/13
PROJ. REVISION		DATE	18/07/13
PROJ. COMMENTS		DATE	18/07/13
PROJ. STATUS		DATE	18/07/13
PROJ. TYPE		DATE	18/07/13
PROJ. NO.		DATE	18/07/13
PROJ. NAME		DATE	18/07/13
PROJ. DATE		DATE	18/07/13
PROJ. BY		DATE	18/07/13
PROJ. CHECKED BY		DATE	18/07/13
PROJ. APPROVED BY		DATE	18/07/13
PROJ. REVISION		DATE	18/07/13
PROJ. COMMENTS		DATE	18/07/13
PROJ. STATUS		DATE	18/07/13
PROJ. TYPE		DATE	18/07/13
PROJ. NO.		DATE	18/07/13
PROJ. NAME		DATE	18/07/13
PROJ. DATE		DATE	18/07/13
PROJ. BY		DATE	18/07/13
PROJ. CHECKED BY		DATE	18/07/13
PROJ. APPROVED BY		DATE	18/07/13
PROJ. REVISION		DATE	18/07/13
PROJ. COMMENTS		DATE	18/07/13
PROJ. STATUS		DATE	18/07/13
PROJ. TYPE		DATE	18/07/13
PROJ. NO.		DATE	18/07/13
PROJ. NAME		DATE	18/07/13
PROJ. DATE		DATE	18/07/13
PROJ. BY		DATE	18/07/13
PROJ. CHECKED BY		DATE	18/07/13
PROJ. APPROVED BY		DATE	18/07/13
PROJ. REVISION		DATE	18/07/13
PROJ. COMMENTS		DATE	18/07/13
PROJ. STATUS		DATE	18/07/13
PROJ. TYPE		DATE	18/07/13
PROJ. NO.		DATE	18/07/13
PROJ. NAME		DATE	18/07/13
PROJ. DATE		DATE	18/07/13
PROJ. BY		DATE	18/07/13
PROJ. CHECKED BY		DATE	18/07/13
PROJ. APPROVED BY		DATE	18/07/13
PROJ. REVISION		DATE	18/07/13
PROJ. COMMENTS		DATE	18/07

THIS DWG. IS SOLE PROPERTY OF NEOMETRIX ENGINEERING PVT. LTD. UNAUTHORIZED USE OF THIS DWG. OR MAKING PRODUCT AS PER THIS DWG. WITHOUT OUR PERMISSION OR ANY OTHER MISUSE IS NOT PERMITTED.

TWO-WIRE TRANSMITTER WIRING



NEOMETRIX ENGINEERING PVT.LTD.
 E-148, Sector-63, Noida, UP-201301
 Tel. No.- 0120-4500800
 Fax. No.- 0120-4500808
 E Mail: concrete@neometrixgroup.com

MAIN TITLE	HYDRAULIC PRESSURE TEST PIG
SUB-TITLE	TWO-WIRE TRANSMITTER WIRING
CODE	A1489
CUSTOMER	HAL-BANGALORE (AIRCRAFT DIVISION)
END-USER	HAL-BANGALORE (AIRCRAFT DIVISION)
TENDER NO.	
PROJECTION/DRAWN BY & DATE	SK / 22/07/13
CHECKED BY & DATE	SKS / 22/07/13
APPROVED BY & DATE	ASZ / 22/07/13
SIZE	A2
SCALE	NTS
SHEET NO.	01
TOTAL SHEETS	01
NEO. DWG. NO.	
REV.	
EDWG-ED-5	
00	