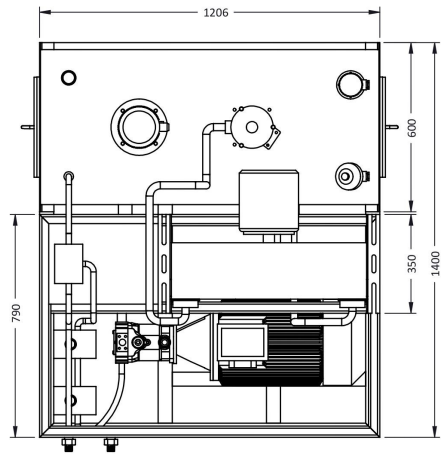
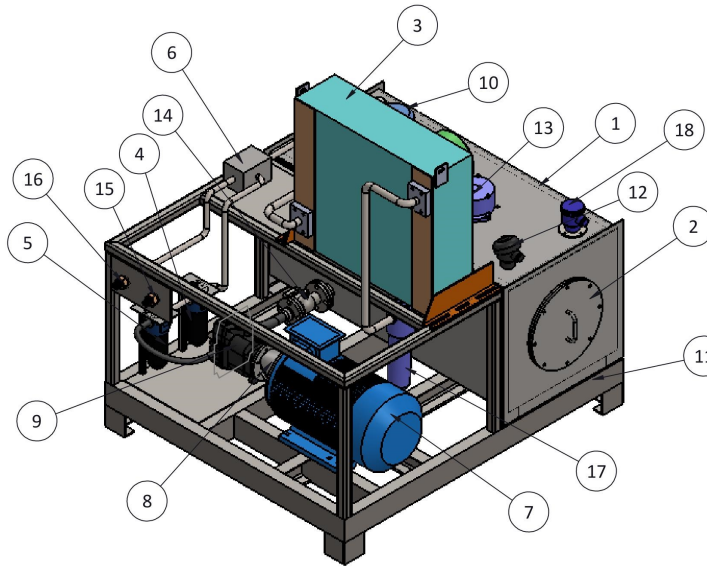


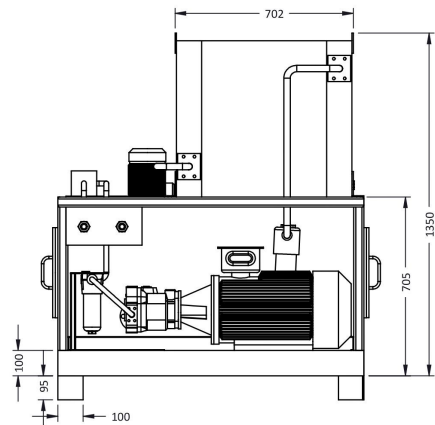
THIS DWG IS SOLE PROPERTY OF NEOMETRIX ENGINEERING PVT. LTD. UNAUTHORISED USE OF THIS DWG OR MAKING PRODUCTS AS PER THIS DWG, WITHOUT OUR PERMISSION OR ANY OTHER MISUSE IS NOT PERMITTED.



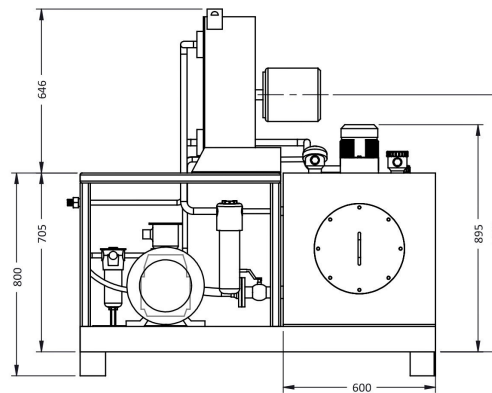
TOP VIEW



ISOMETRIC VIEW



FRONT VIEW



SIDE VIEW

| DESIGN DATA | | | |
|-------------|----------------|----------------------------|-----------------|
| ITEM NO | ITEM NAME | DIMENSION | WEIGHT |
| 1 | HYDRAULIC TANK | 1206(L) x 580(W) 605(H) | 97 kg (approx) |
| 2 | MAN HOLE | Ø 342, 10mm thickness | 10 kg (approx) |
| 3 | OIL COOLER | 786(L) x 487(W) x 616(H) | 30 kg (approx) |
| 7 | MOTOR O2 | 671(L) x Ø 348 x 446(H) | 175 kg (approx) |
| 10 | MOTOR O1 | --- | 30 kg (approx) |
| 11 | SKID FRAME | 1206(L) x 1400(W) x 710(H) | 180 kg (approx) |

| ITEM NO | ITEM NAME | DESCRIPTION | MODEL NO | QTY |
|---------|--|---|------------------------|-----|
| 1 | HYDRAULIC TANK | CAP: 200 LTRS, MATERIAL: SS304 | NX-A1782-TANK-1 | 01 |
| 2 | TANK MANHOLE | OD : Ø 342, FLANGE TYPE, MATERIAL: SS304 | | 02 |
| 3 | AIR COOLED OIL COOLER | 200 LPM, TEMP: 55 °C, 6KW, PR. 15-20 Bar | SX051-34-1-0-0-0 | 01 |
| 4 | PRESSURE LINE FILTER | Fineness-6micron, pressure-300 bar. Flow rate: 23 LPM With visual and electrical Clogging indicator | FMM0503BADA06NP01 | 01 |
| 5 | PRESSURE LINE FILTER | Fineness-3 micron pressure-300 bar. Flow rate: 23 LPM, With Visual and electrical Clogging indicator(Non bypass type) | FMM0503SADA03NP01 | 01 |
| 6 | MANIFOLD | MATERIAL : MS, ZINC COATED | NX-A1782-MF-01 | 01 |
| 7 | MOTOR-O2 | 15 kW, 3-Phase , 50Hz, 440VAC | HX+180MLB4 | 01 |
| 8 | BELL HOUSING | | | |
| 9 | AXIAL PISTON PUMP | 16CC, 320 bar | PV016R1T1K1NUPM | 01 |
| 10 | MOTOR-O1 | COOLING MOTOR | | |
| 11 | SKID FRAME | BASE FRAME, C-CHANNEL 100x50, MATERIAL : MS | NX-A1782-BASE FRAME-01 | 01 |
| | | SKID, 40x40x3.5mm SQ PIPE | NX-A1782-SKID-01 | 01 |
| 12 | TEMPERATURE SENSOR | RTD, Range-0 to 100 Deg C | PT-100 | 01 |
| 13 | RETURN LINE FILTER(TANK TOP MOUNTED) | 6 Micron, Flow rate: 100 LPM, Pr: 10 bar, With Visual and Electrical Clogging indicator | MPF1811AG2A06NBPO1 | 01 |
| 14 | SUCTION BALL VALVE | DIN 32, ISO:6162, Class 150, full bore | NX-A1782-BV-01 | 01 |
| 15,16 | BULKHEAD | 3/4" BSPP MALE | NX-A1782-BH-01 | 02 |
| 17 | Return Line Filter with Visual and Electrical Clogging indicator | 10 Micron, Flow rate:100 LPM, Pr: 10 bar, with Visual and Electrical Clogging indicator | LPM1104SBA2A10NP01 | 01 |
| 18 | Level Switch | NO/NC Type (Low Level & High Level) | SDN-102 | 01 |

HSU-POWER PACK

| PART TABLE | | |
|------------|----------------------|-----------------------|
| SERIAL NO. | DESCRIPTION | PART NAME |
| 1. | HYDRAULIC TANK | NX-A1782-HSU-HT-01 |
| 2. | MAN HOLE | NX-A1782-HSU-HT-01-02 |
| 3. | AIR OIL COOLER | NX-A1782-HSU-AOC-01 |
| 4. | PRESSURE LINE FILTER | NX-A1782-HSU-PLF-01 |
| 5. | PRESSURE LINE FILTER | NX-A1782-HSU-PLF-02 |
| 6. | MANIFOLD | NX-A1782-HSU-MF-01 |
| 7. | ELECTRIC MOTOR | NX-A1782-HSU-EM-01 |
| 9. | AXIAL PISTON PUMP | NX-A1782-HSU-APP-01 |
| 10. | MOTOR -O1 | NX-A1782-HSU-M-01 |
| 11. | SKID FRAME | NX-A1782-HSU-SF-01 |

NOTE:
All Dimensions are in mm.

| | | | |
|---|--|---|--|
| | | NEOMETRIX ENGINEERING PVT LTD E-148, Sector-03, Noida, UP-201301 Tel No. : 0120-4100000 Fax No. : 0120-4100000 Email : contact@neometrixgroup.com | |
| | | MAIN TITLE : HYDRAULIC TEST EQUIPMENT FOR HSU SUB - TITLE : HSU-POWER PACK CODE : A1782 CUSTOMER : CONTRACTOR : PO. NO. : | Q.A No. : Cross Ref. Doc. No. : Customer Dwg./Ref. No. : Note : |
| PROJECTION : CHECKED BY & DATE : APPROVED BY & DATE : | DRAWN BY & DATE : N.K. 05/03/2018 S.H. 05/03/2018 S.P.S. 05/03/2018 | Size : A3 Scale : NTS Sheet : 01 No. of : 01 | NEO. DWG. No. : T-PED-A1782-HSUPP REV : 01 |