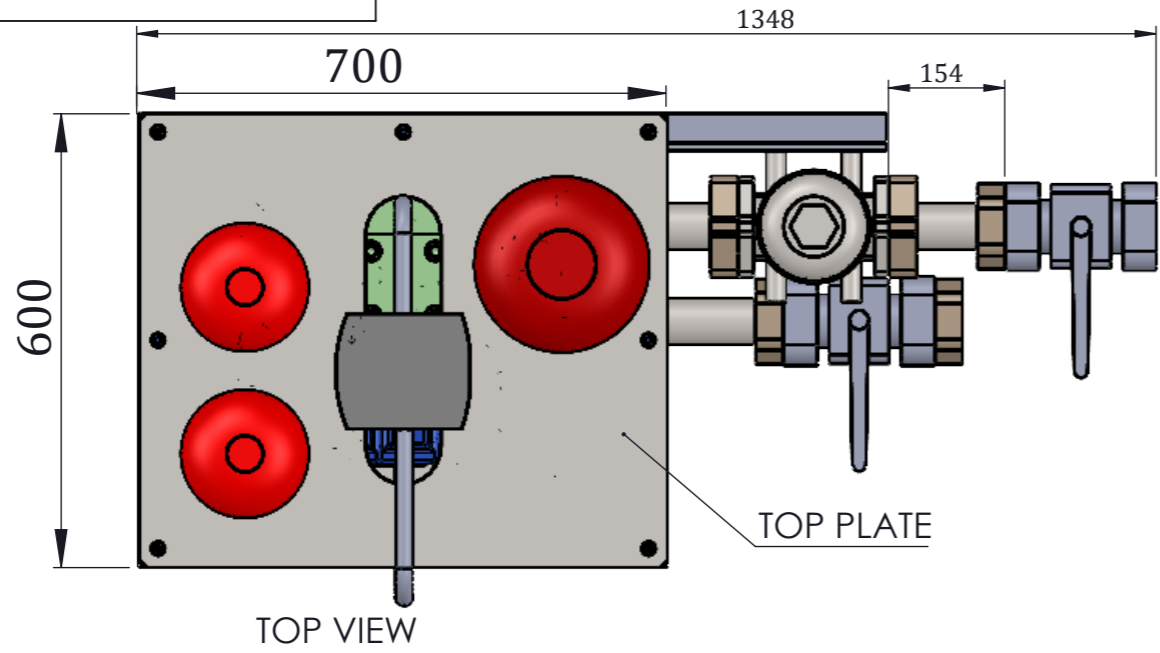


THIS DWG. IS SOLE PROPERTY OF NEOMETRIX ENGINEERING PVT. LTD.  
 UNAUTHORISED USE OF THIS DWG. OR MAKING PRODUCT AS PER THIS  
 DWG. WITHOUT OUR PERMISSION OR ANY OTHER MISUSE IS NOT  
 PERMITTED.



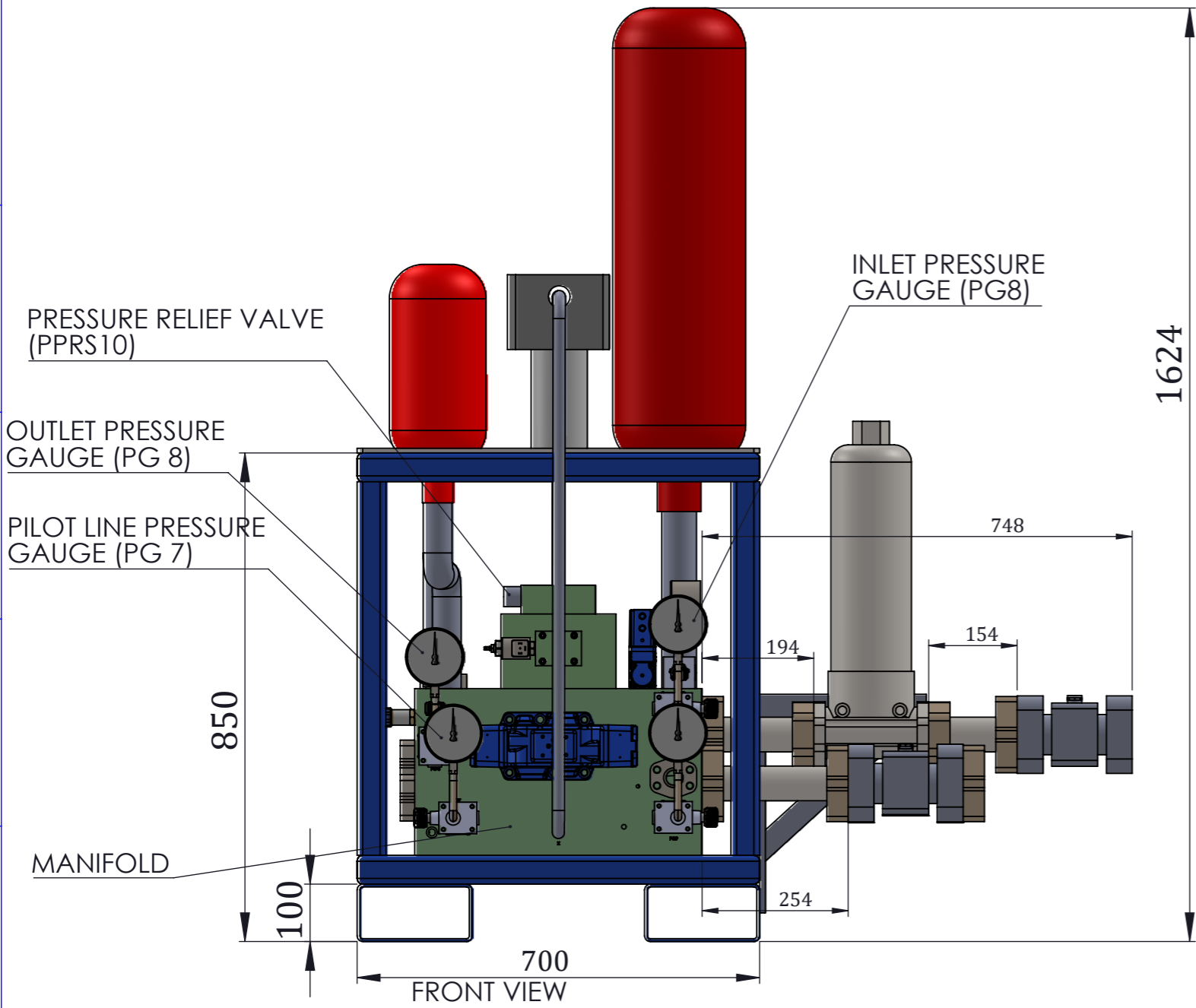
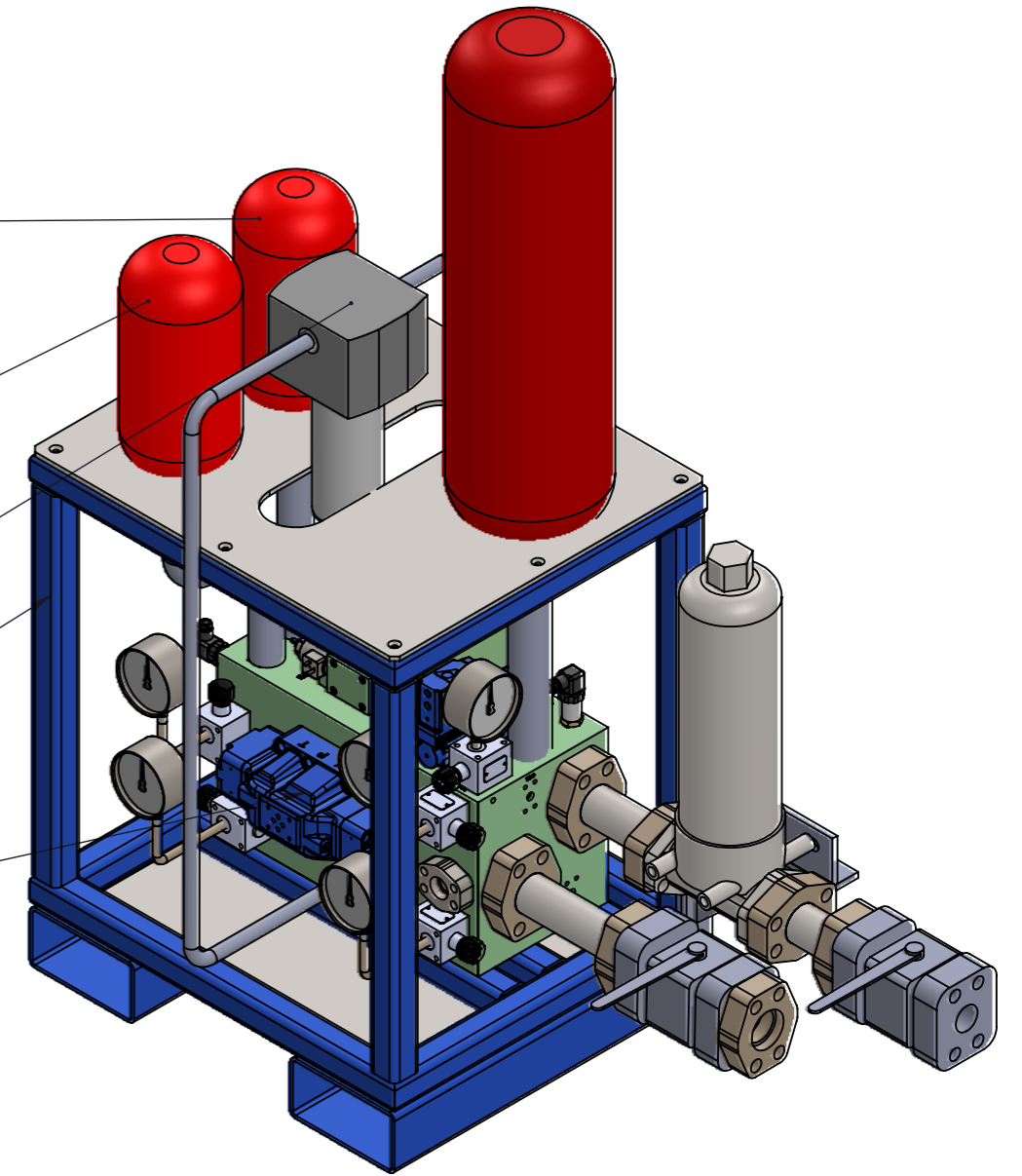
PRESSURE LINE  
ACCUMULATOR

TANK LINE  
ACCUMULATOR

PILOT LINE FILTER

SQUARE PIPE  
(50x50x5mm)

DC VALVE  
(DPHE-4630)



SIDE VIEW

<b>+++ NEOMETRIX</b> www.neometrixgroup.com		NEOMETRIX ENGINEERING PVT. LTD. E-148, Sector-63, Noida, UP-201301 Tel. No. :- 0120-4500800 Fax No. :- 0120-4500888 Email :- contact@neometrixgroup.com	
MAIN TITLE	HPPAS	QA No.	
SUB - TITLE	GADWG-HYDRAULIC MANIFOLD SYSTEM	Cross Ref. Doc. No.	
CODE	A1637	Customer Dwg./Ref. No.	
CUSTOMER	--	NOTE:-	
EDN-USER	--		
PO.NO.	--		
PROJECTION	DRAWN BY & DATE	M.F	29-12-2021
	CHECKED BY & DATE	B.K	29-12-2021
	APPROVED BY & DATE	S.P.S	29-12-2021
	Size	Scale	Sheet
	A3	NTS	No. Of
			01
			01
	NEO. DWG. No.	REV	
	T-PED-A1637-GADWG-HYD. MANIFOLD SYSTEM		03