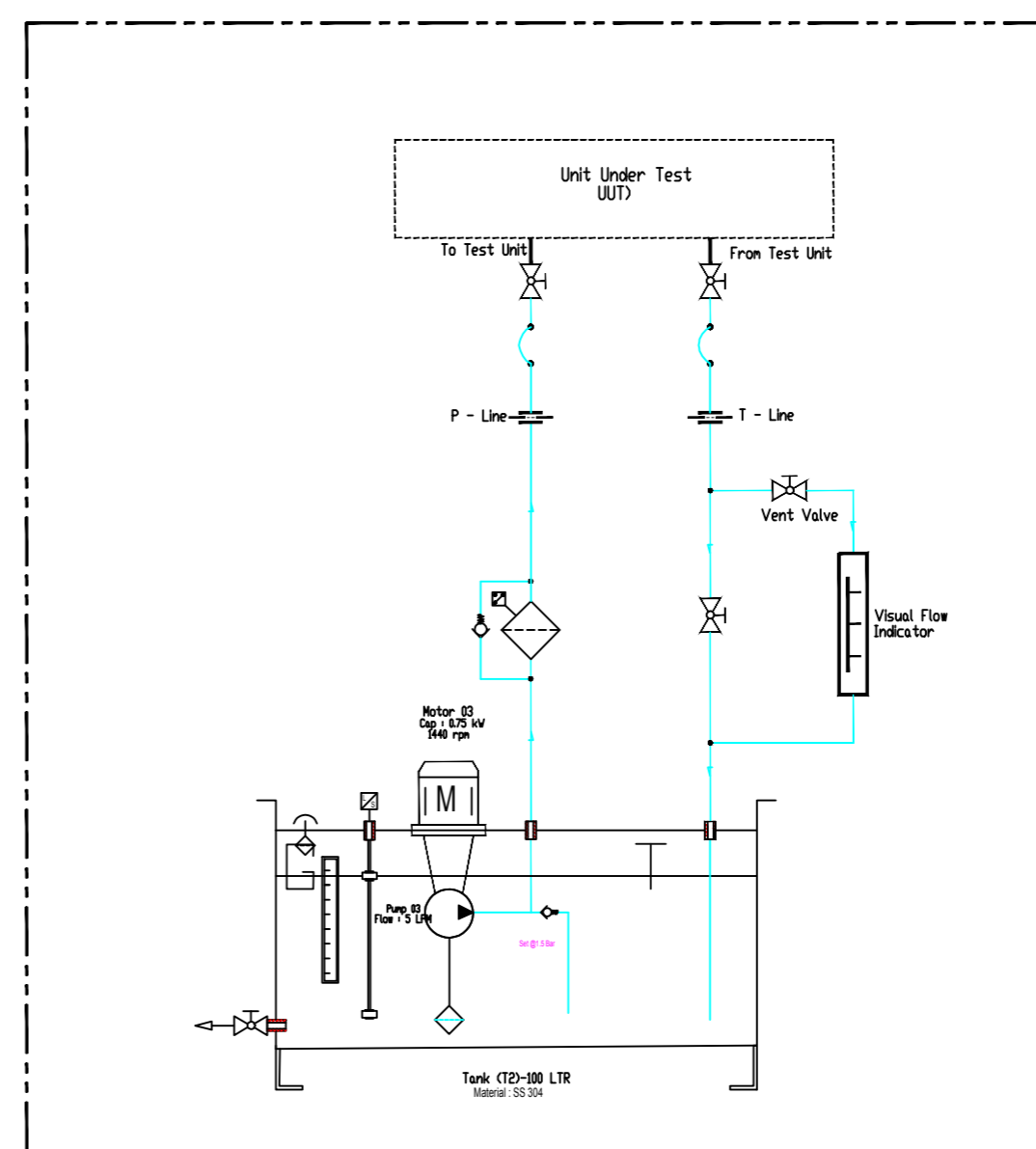
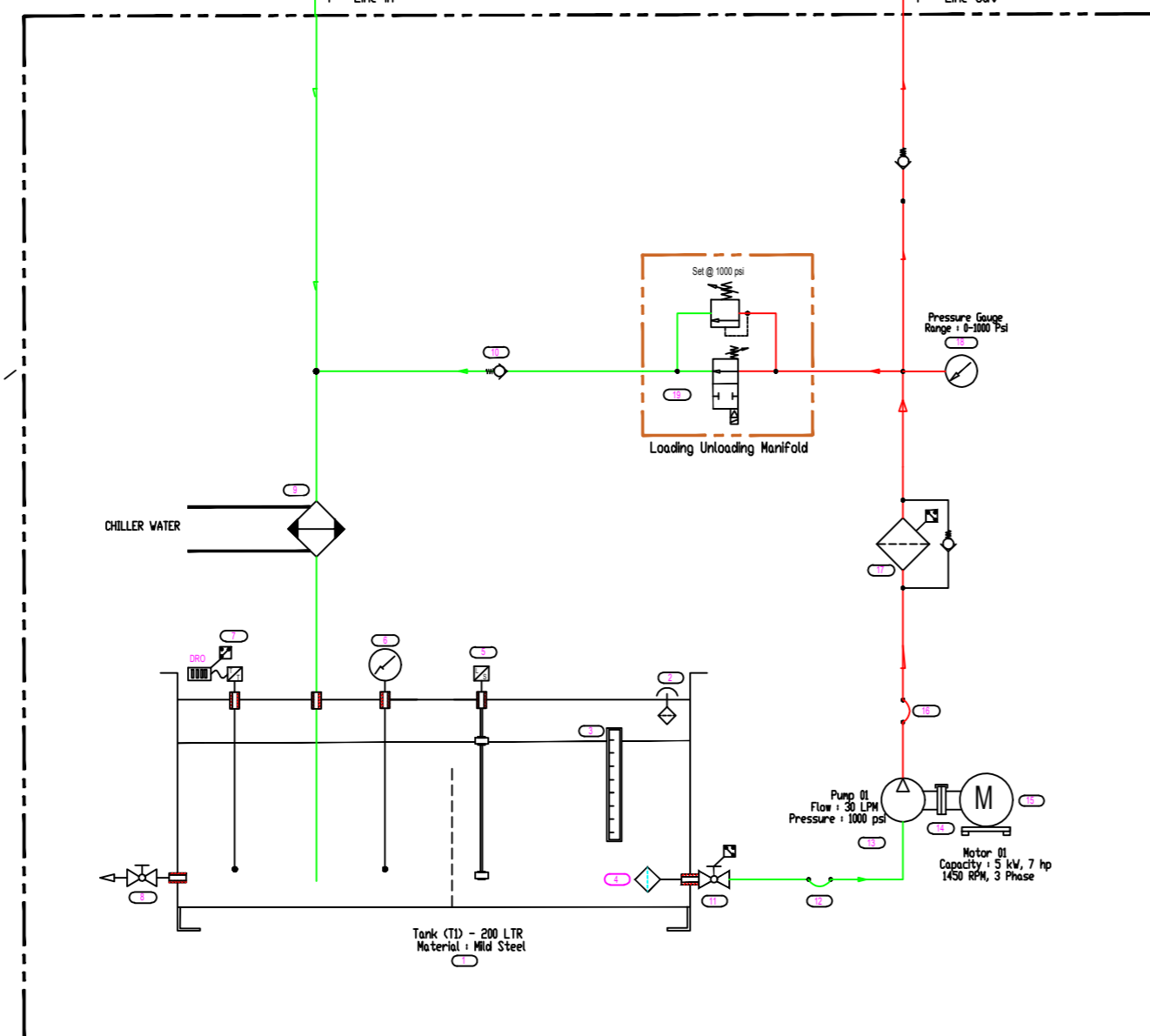
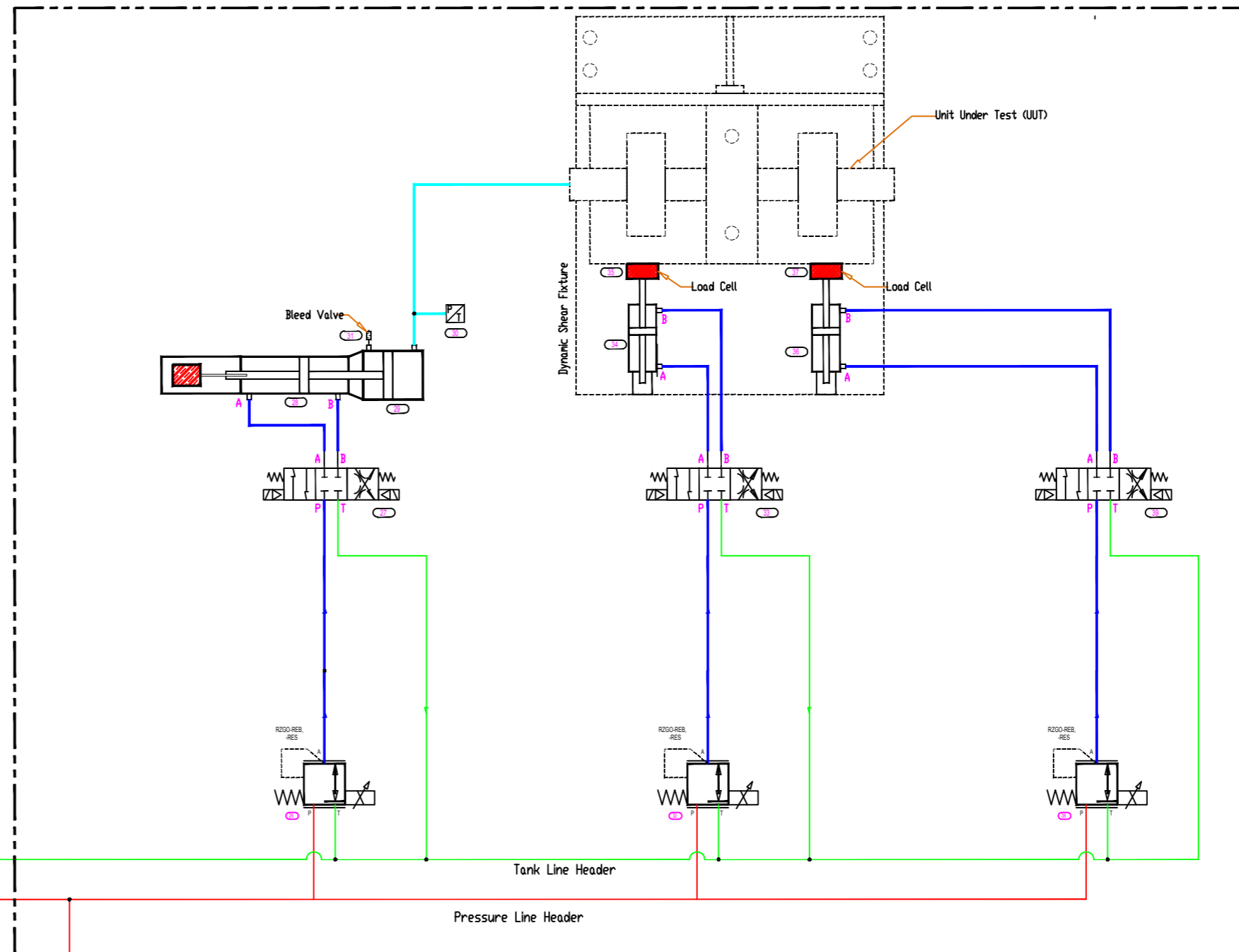
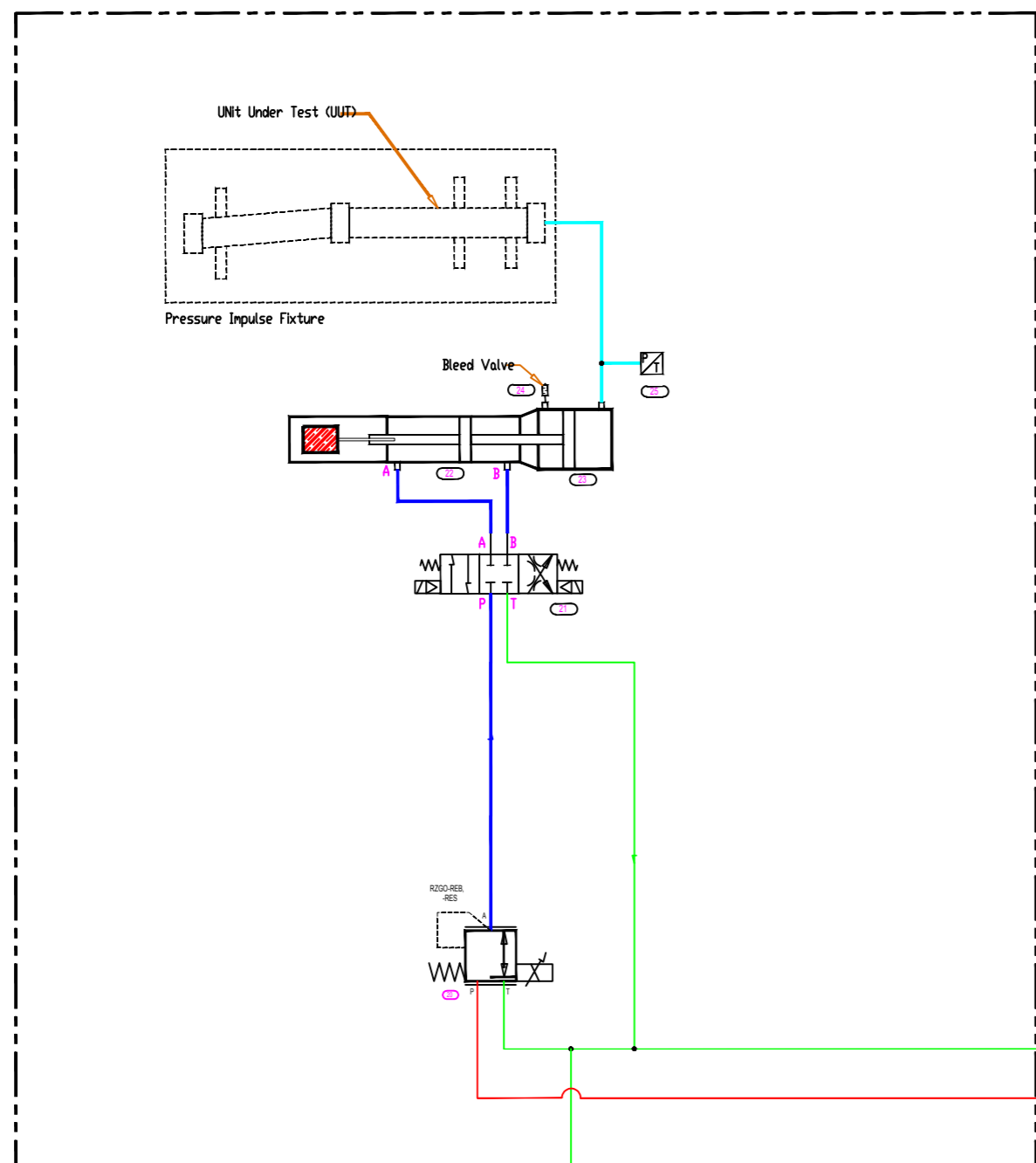


THIS DWG. IS SOLE PROPERTY OF NEOMETRIX ENGINEERING PVT.LTD.
 UNAUTHORISED USE OF THIS DWG. OR MAKING PRODUCT AS PER THIS DWG.
 WITHOUT OUR PERMISSION OR ANY OTHER MISUSE IS NOT PERMITTED.

Pressure Impulse Testing

Dynamic Shear Testing



Hydraulic Power Pack

Test Flow Filling and Vent Circuit

HYDRAULIC CIRCUIT
 Dynamic Shear and Pressure Impulse Test Equipment

NOTE :
 THIS DRAWING IS TENTATIVE AND SUBJECTED TO CHANGE

NEOMETRIX www.neometrixgroup.com		E-148, Sector-63, Noida, UP-201301 Tel. No. - 0120-4500800 Fax No. - 0120-4500888 E-Mail: contact@neometrixgroup.com		
		QTY No. CROSS REF. DOC. CUSTOMER DWG. REF. No.	NOTES:	
MAIN TITLE SUB-TITLE CODE CUSTOMER END-USER PO. No.	DSPITE HYDRAULIC CIRCUIT A1803	DESIGNED BY & DATE N.K. 28/08/2018 CHECKED BY & DATE SPS 28/08/2018 APPROVED BY & DATE SPS 28/08/2018	SIZE A2 SCALE NTS SHEET NO. OF DT 01	NEO DWG. NO. 11PPA1803-HOWG-DSPITE Rev. 02