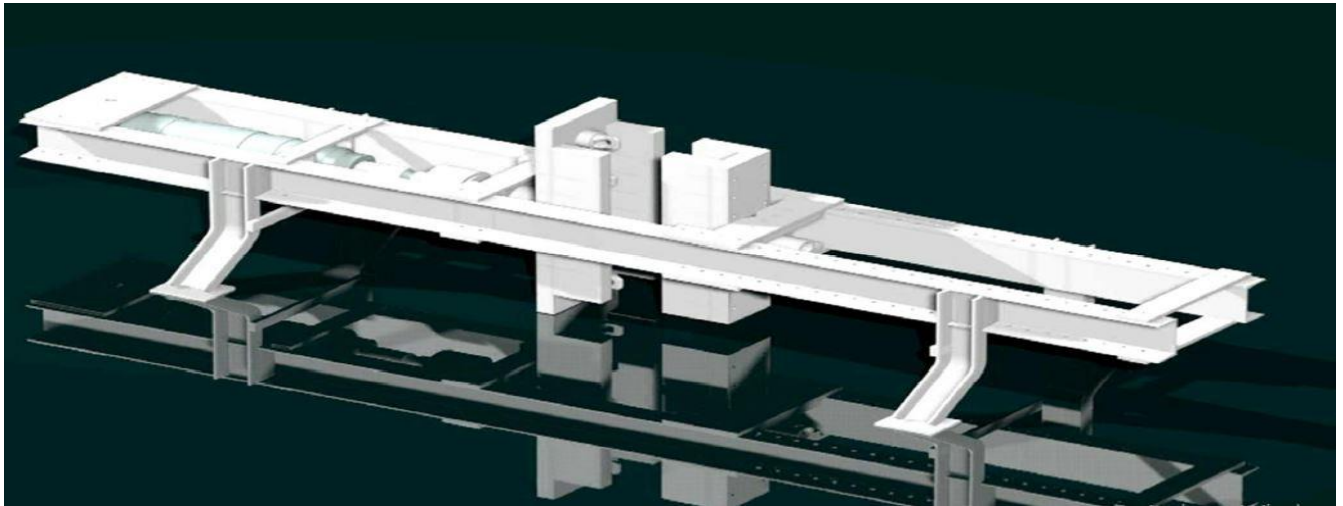


# NEOMETRIX

## Lock Loading Test Rig

### About

This rig is designed for testing Ejection Release Units (ERU119 & ERU120) which are tested for Hook Proving Loads. These units are tested for load deformation and the test results will automatically come out as OK/NG on the basis of pre-fed Deformation & Load settings in the system. A self-contained Test Bench is provided to test both types of units.



### **Mechanical System:**

- Independent Bench for ERU119 & ERU120 is provided.
- Horizontal Loading Facility for the units is provided.
- Custom made fixture for holding the units, and unit profile will be accommodated in the fixture so that the unit is not damaged during testing.
- LVDT with magnetic contact is provided for displacement measurement.
- Both systems have Load Cells with in-situ calibration facility. In- situ calibration will be done automatically.

### **Loading System:**

The loading of the unit is done sequentially.

For both ERU120 & ERU119 the loading condition is as follows:

# NEOMETRIX

## For ERU120:

### For 14" hooks:

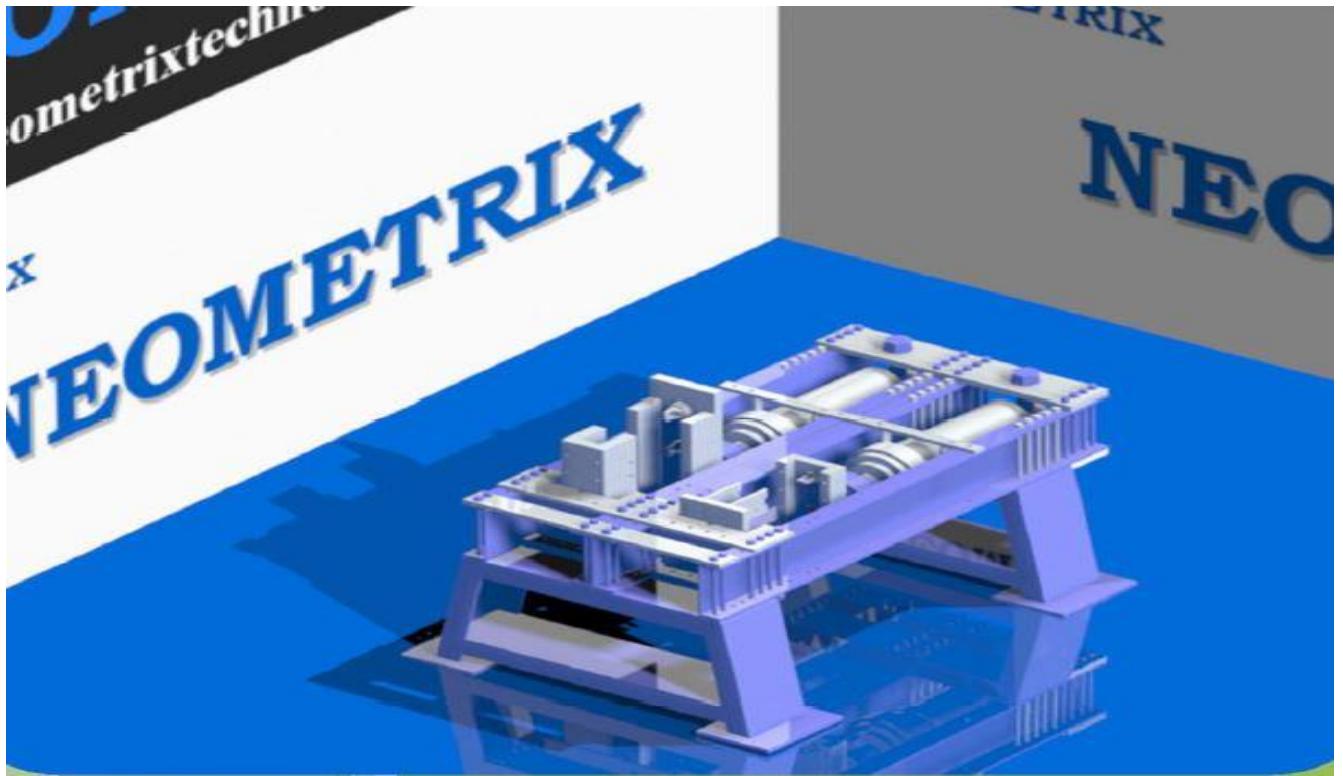
- Load per hook: 31500 lbf
- Ultimate load(on both the hooks): 63000 lbf
- such that the load is evenly applied on both the hooks through Pin-joined structure.

## For 30. hooks:

- Load per hook: 77700 lbf.
- Ultimate load (on both the hooks): 38850 lbf.
- The mechanical fixture is designed such that the load is evenly applied on both the hooks through Pin-joined structure.

## For ERU119:

- Load Per Hook:34600lbf.
- Ultimate load(on both the hooks): 17300 lbf
- The mechanical fixture is designed such that the load is evenly applied on both the hooks through Pin-joined structure.



**NEOMETRIX DEFENCE LIMITED**

**E-148, Sector-63, Noida India 201301**

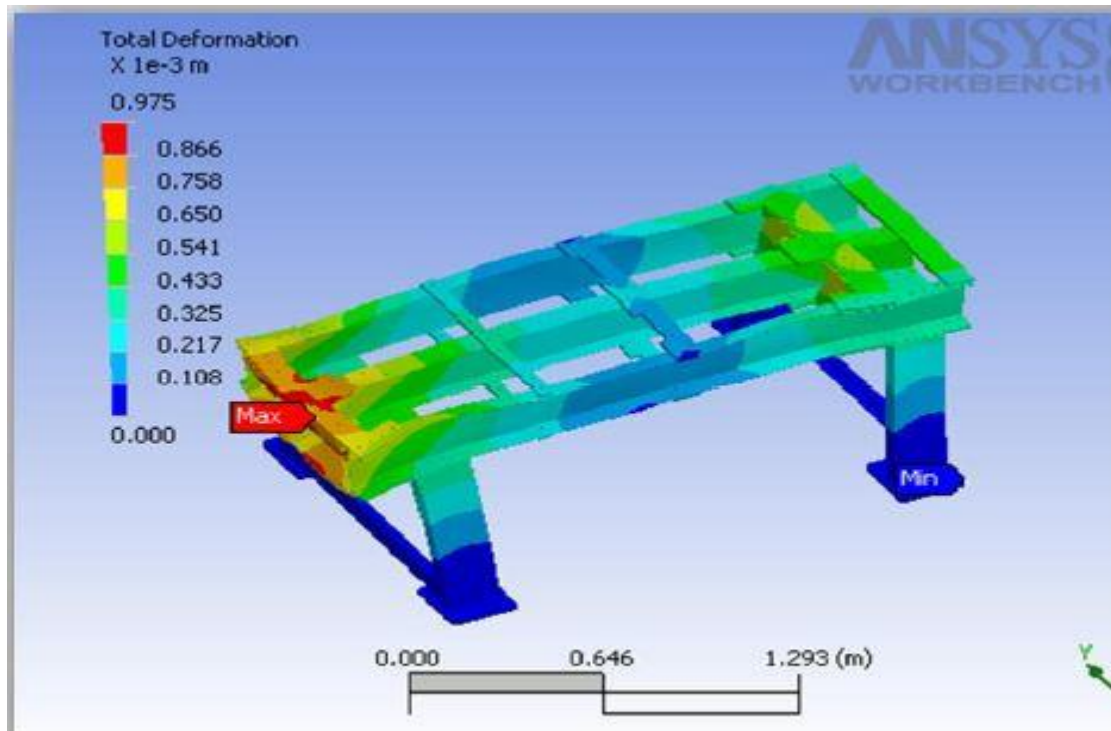
**Email – [contact@neometrixgroup.com](mailto:contact@neometrixgroup.com), Contact No.- +91-0120-4500800, 7777-876-876**

**Website – [www.neometrixgroup.com](http://www.neometrixgroup.com)**

# NEOMETRIX

## Application

This rig is designed for testing Ejection Release Units (ERU119 & ERU 120) which are tested for Hook Proving Loads. These units are tested for load deformation and the test results will automatically come out as OK/NG on the basis of pre-fed Deformation & Load settings in the system.



# NEOMETRIX

## Key features

- Ease of Operation
- User Friendliness
- Compact Structure
- The entire instrument, measuring instrument will be approved by competent

