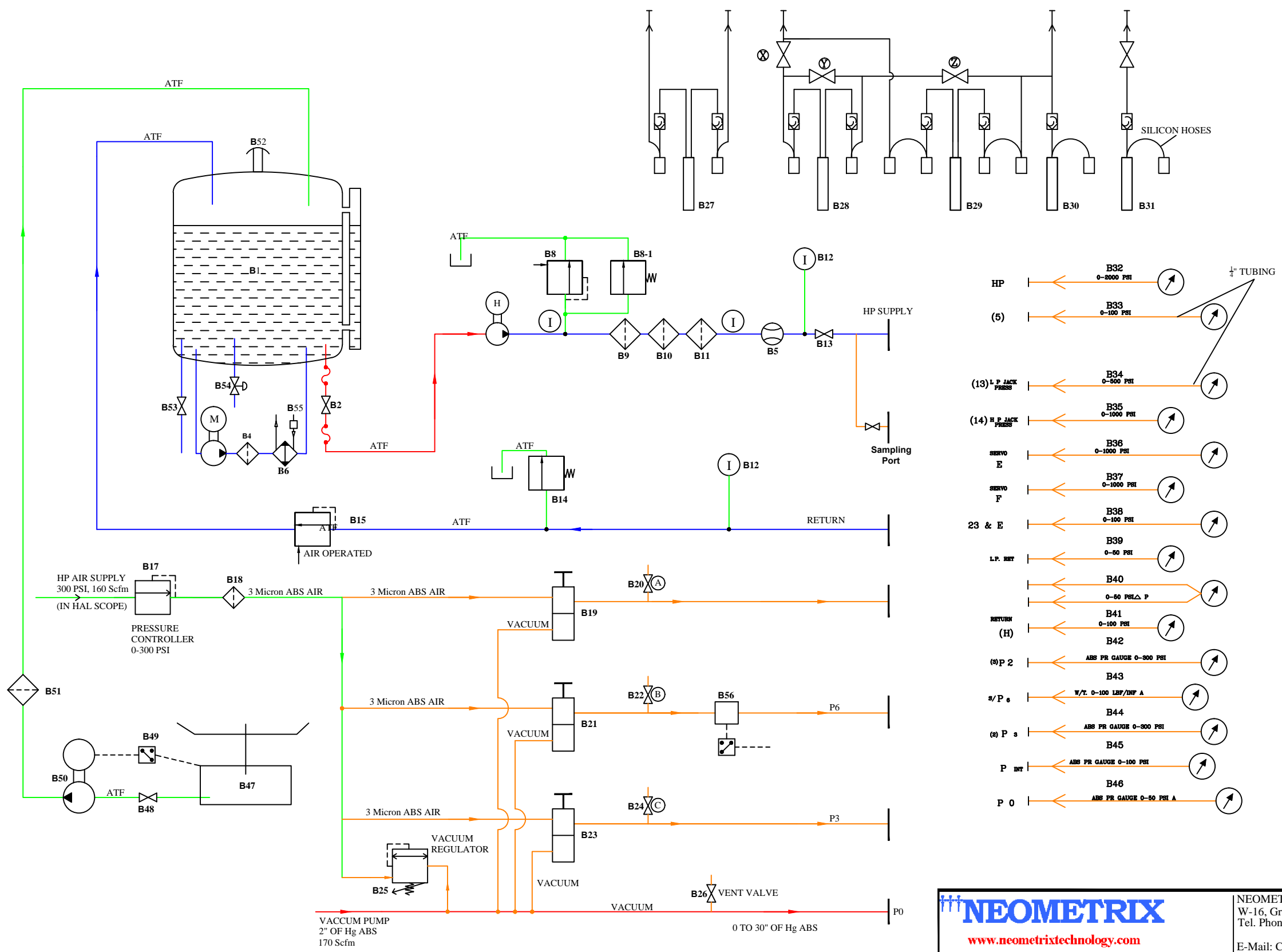


Colour	Pipe Size
	1 1/4"
	1"
	1/2"
	1/4"



- HP ← 0-2000 PSI (B32)
- (5) ← 0-100 PSI (B33)
- (13) L.P. JACK PRESS ← 0-500 PSI (B34)
- (14) H.P. JACK PRESS ← 0-1000 PSI (B35)
- SERVO E ← 0-1000 PSI (B36)
- SERVO F ← 0-1000 PSI (B37)
- 23 & E ← 0-100 PSI (B38)
- L.P. INT ← 0-50 PSI (B39)
- ← 0-50 PSI Δ P (B40)
- RETURN (H) ← 0-100 PSI (B41)
- (5) P 2 ← ABS PR GAUGE 0-500 PSI (B42)
- #/P 6 ← W/L 0-100 LBF/INCH A (B43)
- (5) P 3 ← ABS PR GAUGE 0-500 PSI (B44)
- P INT ← ABS PR GAUGE 0-100 PSI (B45)
- P 0 ← ABS PR GAUGE 0-50 PSI A (B46)

[www.neometrixtechnology.com](http://www.neometrixtechnology.com)

NEOMETRIX ENGINEERING PRIVATE LIMITED  
 W-16, Greater Kailash-II, New Delhi-110048  
 Tel. Phone No.- 011-41636570 Fax: 011-41636573  
 E-Mail: Contactus@neometrixtechnology.com

MAIN TITLE		O.A No.	
SUB - TITLE		CUSTOMER DWG. / REF. No.	
DETAILS			
CUSTOMER			
DUE DATE			
APPLICATION			
PROJECTION	DRAWN BY & DATE	SK	05/03/2007
	CHECKED BY & DATE	SPS	05/03/2007
	APPROVED BY & DATE		
SIZE	SCALE	SHEET	NEOMETRIX DWG. NO.
A4	NTS	No. OF	Rev.
		01	T-DAP-ATFDWG-A0460