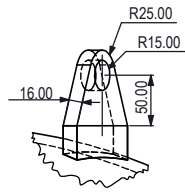
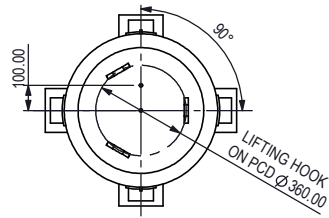


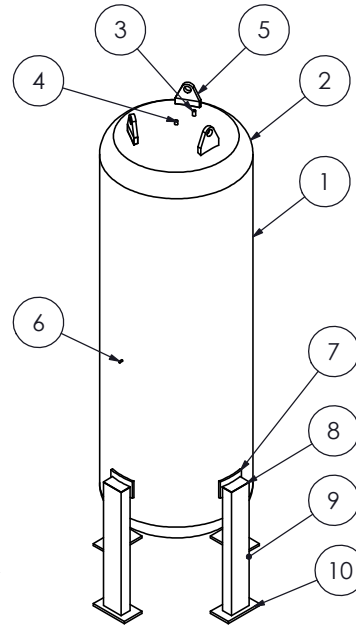
THIS DWG. IS SOLE PROPERTY OF NEOMETRIX ENGINEERING PVT. LTD. UNAUTHORISED USE OF THIS DWG. OR MAKING PRODUCT AS PER THIS DWG. WITHOUT OUR PERMISSION OR ANY OTHER MISUSE IS NOT PERMITTED.



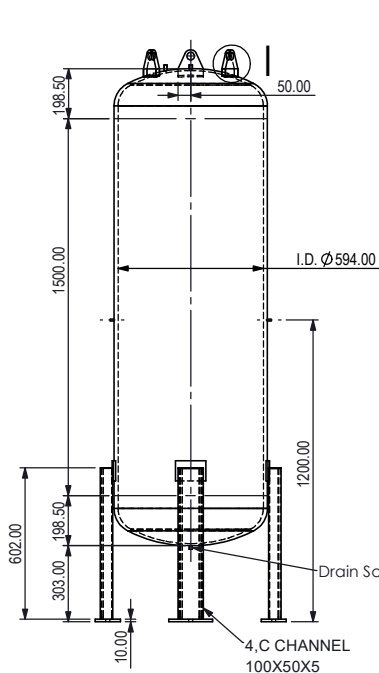
DETAIL I



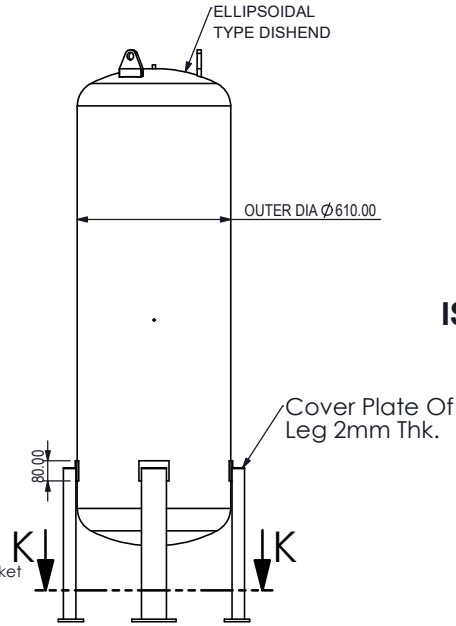
TOP VIEW



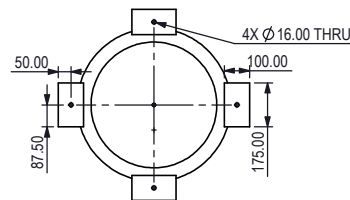
ISOMETRIC VIEW



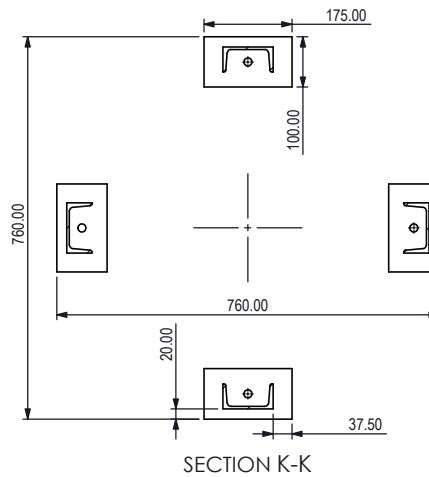
LEFT SIDE VIEW



FRONT VIEW



BOTTOM VIEW



SECTION K-K

- NOTE:-
1. ALL DIMENSIONS ARE IN mm.
 2. THIS IS TENTATIVE DRAWING SUBJECTED TO CHANGE.

BILL OF MATERIAL

S.No.	Description	Material	Qty
1	Shell	IS:2062E250BR	1
2	Dishend(Ellipsoidal)	IS:2062E250BR	2
3	Safety Valve Socket	SA-105(3000#)	1
4	Pr. Guage Socket	SA-105(3000#)	1
5	Lifting Hook (16mmThk.)	MS IS:2062	3
6	Air Inlet, Air Outlet & Drain Socket	SA-105(3000#)	3
7	Support Pad Plate (8mm Thk.)	IS:2062E250BR	4
8	Cover Plate of Leg (2mm Thk.)	MS IS:2066	4
9	Support Leg (ISMC-100)	MS IS:2062	4
10	Base Plate (10mm Thk.)	MS IS:2066	4

NEOMETRIX
www.neometrixgroup.com

NEOMETRIX ENGINEERING PVT. LTD.
E-148, Sector-63, Noida, UP-201301
Tel. No. :- 0120-4500800
Fax No. :- 0120-4500888
Email :- contact@neometrixgroup.com

MAIN TITLE	OIL FLOODED SCREW COMPRESSOR TEST RIG	Q.A. No.	
SUB - TITLE	GADWG OIL FLOODED SCREW COMPRESSOR TEST RIG	Cross Ref. Doc. No.	
CODE	A3876	Customer Dwg./Ref. No.	
CUSTOMER	--	NOTE:-	
END USER	--		
PO.NO.	--		
PROJECTION	DRAWN BY & DATE	ALOK 25/07/2023	Size Scale Sheet
	CHECKED BY & DATE	P.K. 25/07/2023	A3 NTS No. Dt
	APPROVED BY & DATE	S.S. 25/07/2023	01 01
			NEO. DWG. No.
			REV
			T-DAP-A3876-GADWG-OPSCIG-REV-00
			00