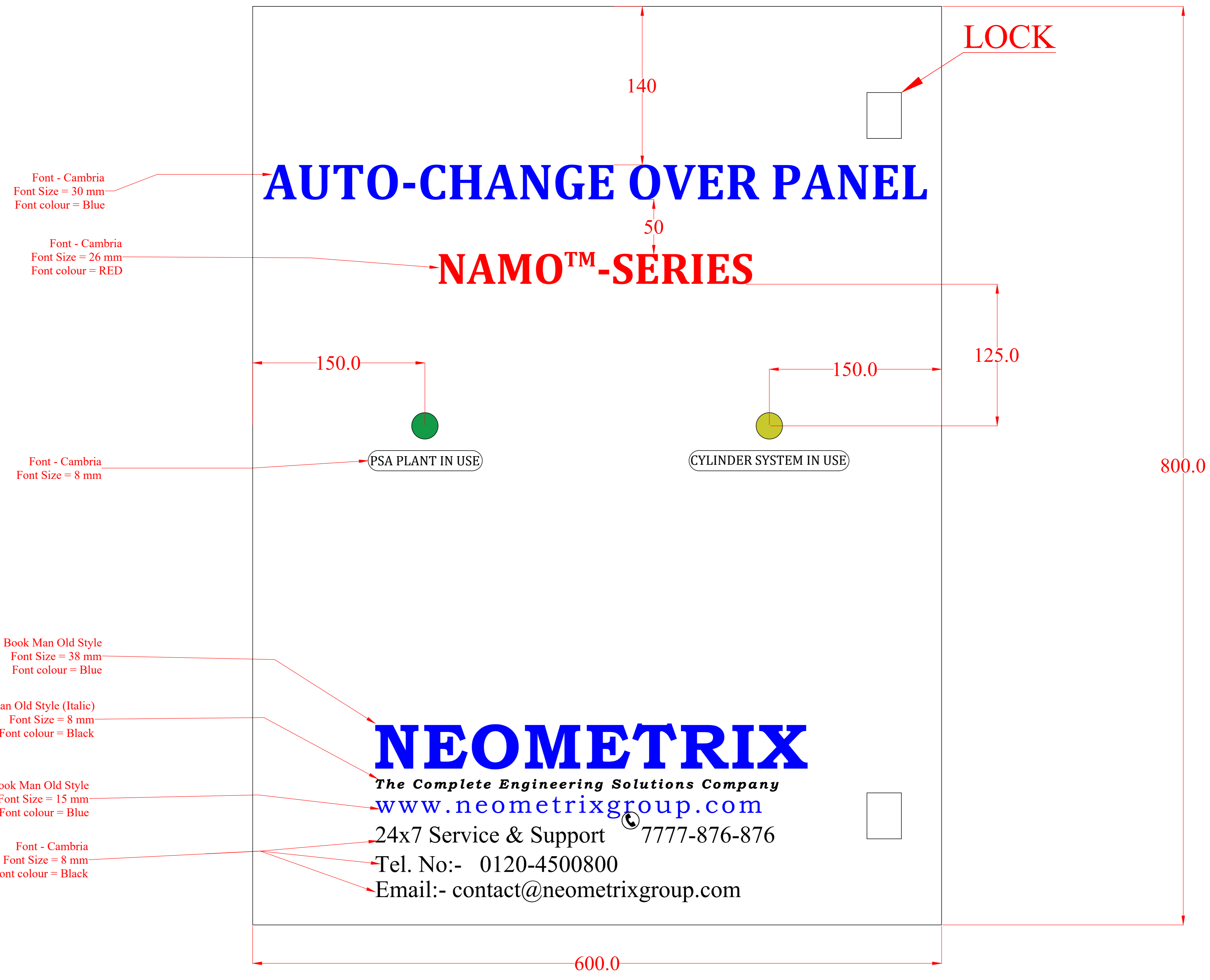


THIS DWG. IS SOLE PROPERTY OF NEOMETRIX ENGINEERING PVT. LTD.
 UNAUTHORISED USE OF THIS DWG. OR MAKING PRODUCT AS PER THIS DWG.
 WITHOUT OUR PERMISSION OR ANY OTHER MISUSE IS NOT PERMITTED.



Font - Cambria
 Font Size = 30 mm
 Font colour = Blue

Font - Cambria
 Font Size = 26 mm
 Font colour = RED

Font - Cambria
 Font Size = 8 mm

Font - Book Man Old Style
 Font Size = 38 mm
 Font colour = Blue

Font - Book Man Old Style (Italic)
 Font Size = 8 mm
 Font colour = Black

Font - Book Man Old Style
 Font Size = 15 mm
 Font colour = Blue

Font - Cambria
 Font Size = 8 mm
 Font colour = Black

FRONT VIEW

NOTE-
 All dimensions are in mm.
 Unless Specified all Fonts are of Height= 12mm, Font = Cambria,
 Font Colour = Black

AUTO CHANGE OVER PANEL MIMIC DRAWING-1500 LPM

		NEOMETRIX ENGINEERING PVT. LTD. E-148, Sector-63, Noida, UP-201301 Tel. No. :- 0120-4500800 Fax No. :- 0120-4500888 Email :- contact@neometrixgroup.com	
MAIN TITLE	PSA MEDICAL OXYGEN GENERATION PLANT	O.A No.	
SUB-TITLE	AUTO CHANGE OVER PANEL-MIMIC	CROSS REF. DOC.	-
CODE	A2764	CUSTOMER DWG. / REF. No.	
CUSTOMER			
END-USER			
PO NO.-			
PROJECTION	DRAWN BY & DATE	M.F	06-10-2021
	CHECKED BY & DATE	P.T	06-10-2021
	APPROVED BY & DATE	SPS	06-10-2021
	SIZE	SCALE	SHEET
	A4	NTS	No. 01 OF 01
			NEO. DWG. NO.
			T-PED-A2764-MIMIC-1500LPM-ACOP
			Rev.
			00

Fully Automatic Change Over Panel

Product Details	Applicable Standards	Model	Make
Fully automatic change over panel from PSA to manifold.	ISO 10524 - 2:2018	Namo™ -Series	Neometrix

About Products:

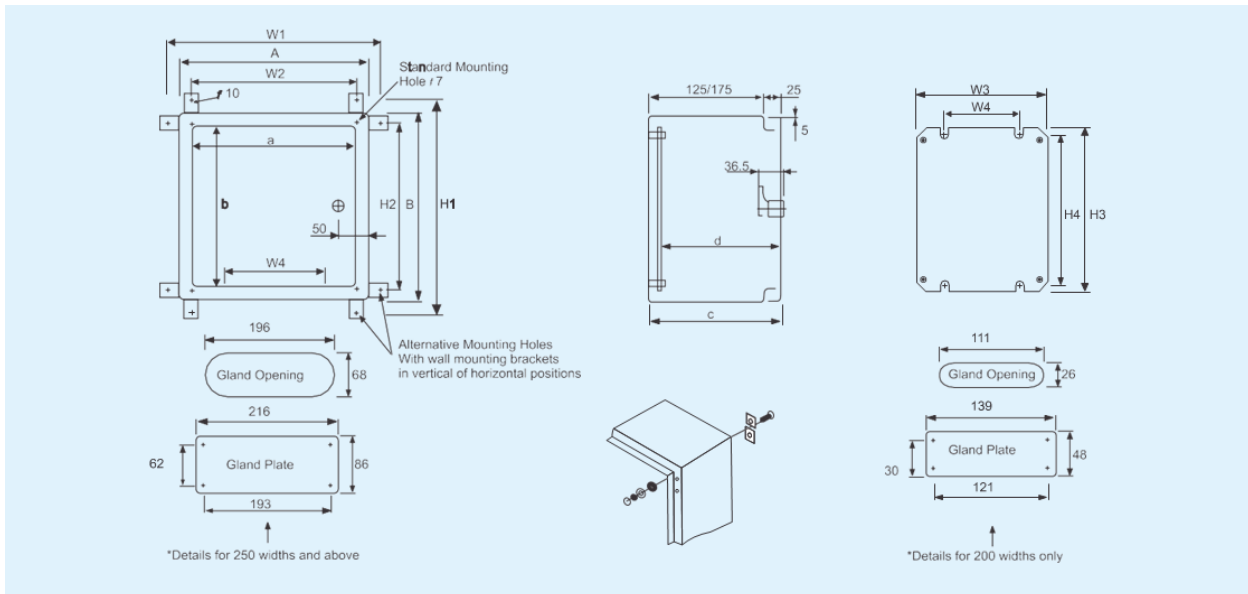


- Oxygen flow rate: 160-1500 LPM.
- Oxygen pressure :4.2 bar.
- Separate connection for hospital bed.
- Separate connection for manifold.
- Auto change with manifold supply if PSA will failure.
- Pneumatic switch-over is accomplished automatically.
- Automatically resets itself for next cycle when depleted bank is replenished. No manual resetting required.
- Inlet connection: 1" BSP
- High pressure regulator relief valve: 15.5 bar.
- Incoming voltage: 220 VAC.

▪ Technical Specification:

S.N.	Name of components	Rating	Make	Model
1	SMPS	24V DC, 150W, 6.5A	Schneider	ABL2REM34065K
2	MCB	2 Pole, 6A, 415V	Schneider	A9N2P06C
3	LED		Schneider	XB7EV03BPN
4	Enclosure (600x400x200)		BCH	BIL-50240
5	Pressure switch	Regulation range (bar): 2.00-14.00 Differential (bar): 0.70-4.00 Reset function: Auto. Connection type: G Pressure connection size: ¼ BSPM	Danfoss	KP36
6	SS TEE	½ " X ¼ " all side tube OD	Global	
7	SS Adapter	¼ " BSPF x ¼ " tube OD	Global	
8	SS Check valve	½ " tube OD x ½ " tube OD	Global	
9	SS Bulckhead	½ " BSPF x ½ " tube OD	Global	
10	SS Adapter	½ " BSPM to ½ " tube OD	Global	
11	SS Adapter	¼ BSPF x ¼ " tube OD	Global	

■ Panel datasheet



- Fabricated from 1.2/1.6 mm stainless steel sheet.
- Mounting plate made up of 2.0 mm Galvanized steel.
- SS grade 304
- 120-degree door open-able concealed hinge door with cam locking arrangement.
- Removable door.
- Gland plate.
- 2-point lock provide as standard.
- High quality CRCA (branded) steel sheets.
- IP 55 & 66 degree of protection.
- Power coated to shade RAL 7035
- Foamed-in PU gasket.

- SMPS datasheet: single phase power supply, 100...240V input, 24V DC output, 156W, 6,5A.



Main

Range of product

Easy Modicon ABL2

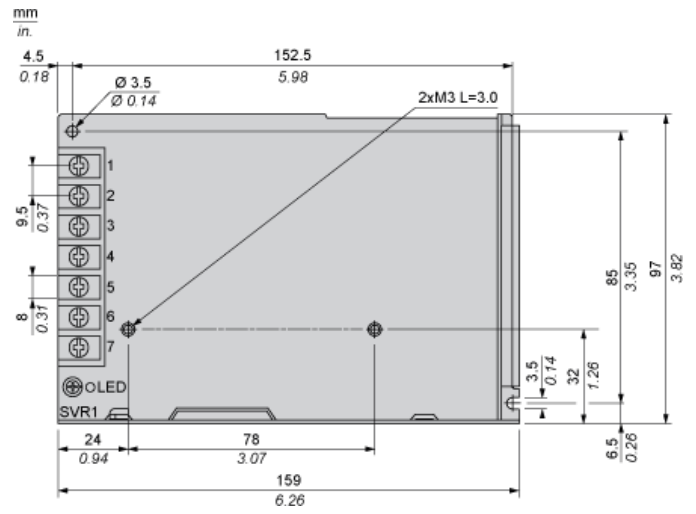
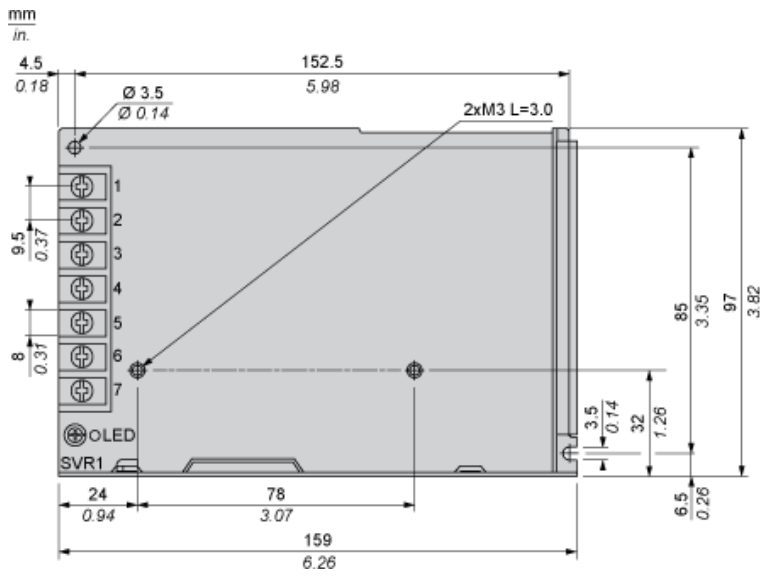
Product or component type	Power supply
Power supply type	Regulated switch mode
Rated power in W	156 W
Main Input Voltage	100...120 V AC single phase 200...240 V
Output voltage	24 V DC
Power supply output current	6.5 A
Operating position	Any position
Vibration resistance	4 gn (f= 10...500 Hz) conforming to EN/IEC 61131-2
Name of test	Electromagnetic hypersensitivity (EHS) conforming to EN 61000-6-2 level A

Complementary

Input voltage limits	176...264 V 88...132 V
Network frequency	47...63 Hz
Inrush current	60 A at 100...120 V AC60 A at 200...240 V AC
Cos phi	0.45
Efficiency	89 %
Power dissipation in W	19.3 W
Current consumption	1.5 A at 240 V
Input protection type	Integrated fuse (not interchangeable)
Output voltage limits	20.4. V
Line and load regulation	+/- 1 %
Holding time	>= 35 ms at 115 V
Output protection type	Against overload, protection technology: 1.1. 1.5 x In Against short-circuits, protection technology: 1.1. 1.5 x In Against overvoltage, protection technology: 28.8. V Thermal
Connections - terminals	For ground connection: screw type terminals, connection capacity: 1 x 4 mm ² AWG 12

Dimensions Drawings

Mechanical Dimensions:



▪ **Miniature circuit breaker - xC60 - 2poles - 6 A - C curve**



Main

Device application	Distribution
Range of product	Acti9
Range	Acti9
Product name	XC60
Product or component type	Miniature circuit-breaker
Device short name	xC60
Poles description	2P
Number of protected poles	2
[In] rated current	6 A
Network type	AC DC
Trip unit technology	Thermal-magnetic
Curve code	C
Utilization category	Category A conforming to EN/IEC 60947-2
Suitability for isolation	Yes conforming to EN/IEC 60947-2
Control type	Toggle

Local signaling	ON/OFF indication
Mounting mode	Clip-on
Mounting support	35 mm DIN rail
Height	85 mm
Width	36 mm
Depth	77.5 mm
Net weight	0.215 kg
Connections - terminals	Tunnel type terminals (bottom) 16 mm ² flexible Tunnel type terminals (bottom) 25 mm ² rigid Biconnected (top)
Wire stripping length	13 mm for top or bottom connection
Tightening torque	2 N.m
Earth-leakage protection	Separate block
Product compatibility	C60 auxiliary C60 accessories
Mechanical durability	20000 cycles
Electrical durability	20000 cycles
Colour	White

- **Monolithic pilot light, plastic, green, Ø22, integral LED, 24 V AC/DC**



Main

Range of product	HarmXB7
Product or component type	Pilot light
Device short name	XB7
Mounting diameter	22 mm
Sale per indivisible quantity	10
Shape of signaling unit head	Round
Cap/Operator or lens colour	Green
Light source	LED
Bulb base	Integral LED
[Us] rated supply voltage	24 V AC/DC 50/60 Hz
Device presentation	Monolithic product

Complementary

Height	29 mm
Width	29 mm
Depth	54 mm
Terminals description ISO n°1	(X1-X2)PL
Net weight	0.02 kg
Device mounting	Fixing hole - diameter: 22.5 mm 22.3 +0.4/0 conforming to EN/IEC 60947-5-1
Fixing center	>= 30 x 40 mm (support panel) metal - thickness: 1...6 mm >= 30 x 40 mm (support panel) plastic - thickness: 2...6 mm
Fixing mode	Fixing nut beneath head: 2...2.4 N.m
Connections - terminals	Screw clamp terminals, <= 2 x 1.5 mm ² with cable end conforming to EN/IEC 60947-1 Screw clamp terminals, 1 x 0.22...2 x 2.5 mm ² without cable end conforming to EN/IEC 60947-1
Tightening torque	0.8...1.2 N.m conforming to EN 60947-1
Shape of screw head	Cross compatible with JIS No 1 screwdriver Cross compatible with Philips no 1 screwdriver Cross compatible with pozidriv No 1 screwdriver Slotted compatible with flat Ø 4 mm screwdriver Slotted compatible with flat Ø 5.5 mm screwdriver

Pressure switch



Gross weight 0.33 kg

Net weight 0.3 kg

EAN 5702423146635

Amb. Temp. Note	80 °C/176 °F for max 120 min
Ambient temperature range [°C] [Max]	65 °C
Ambient temperature range [°C] [Min]	-40 °C
Ambient temperature range [°F] [Max]	149 °F
Ambient temperature range [°F] [Min]	-40 °F
Approval	CCC CE CMIM EAC LLC CDC EURO-TYSK LVD PZH RINA RMRS RoHS China c UL us UL353, CS C22.2 c UL us UL873, CS C22.2 UKCA
Contact function	SPDT
Contact rating	AC15=10 A, 400 V AC1=16 A, 400 V AC3=16 A, 400 V DC13=12 W, 220 V LR=112 A, 400 V
Differential [bar] [Max]	4 bar
Differential [bar] [Min]	0.7 bar
Differential [psi] [Max]	58 psi
Differential [psi] [Min]	10 psi
Electrical connection	Rubber cable gland
Electrical connection size	6-14 mm

EN 60947 electrical properties	Pollution degree: 3 Rated impulse voltage: 4 kV
EN 60947 wiring properties	Flex, ferrules: 0.5-1.5 mm ² Flex, no ferrules: 0.7-2.5 mm ² Solid/stranded: 0.75-2.5 mm ²
Enclosure rating IP	IP30
Enclosure rating Nema (~)	1
Equipment	<NULL>
Max. test pressure [bar] Pe	22 bar
Max. test pressure [psig]	319 psig
Max. Working Pressure [bar]	17 bar
Max. Working Pressure [psig]	245 psig

Pressure connection size	1/4
Pressure connection standard	ISO 228-1
Pressure connection type	G
Pressure Male/Female	Male
Pressure range category	Medium pressure
Pressure sensing element	Bellows
Product accessories	Switches accessories
Product description	Pressure Switch
Product family name	KP Pressure switch
Product group	Switches and thermostats
Product name	Pressure switch

Quantity per packing format	36 pc
REACH Candidate List substances >0.1%	Lead (CAS no. 7439-92-1)
Regulation range [bar] Pe [Max]	14 bar
Regulation range [bar] Pe [Min]	2 bar
Regulation range [psig] Pe [Max]	203 psig
Regulation range [psig] Pe [Min]	29 psig
Reset function	Auto
Serviceable	No
Type	KP36
UL approval file name	E31024 MH27572