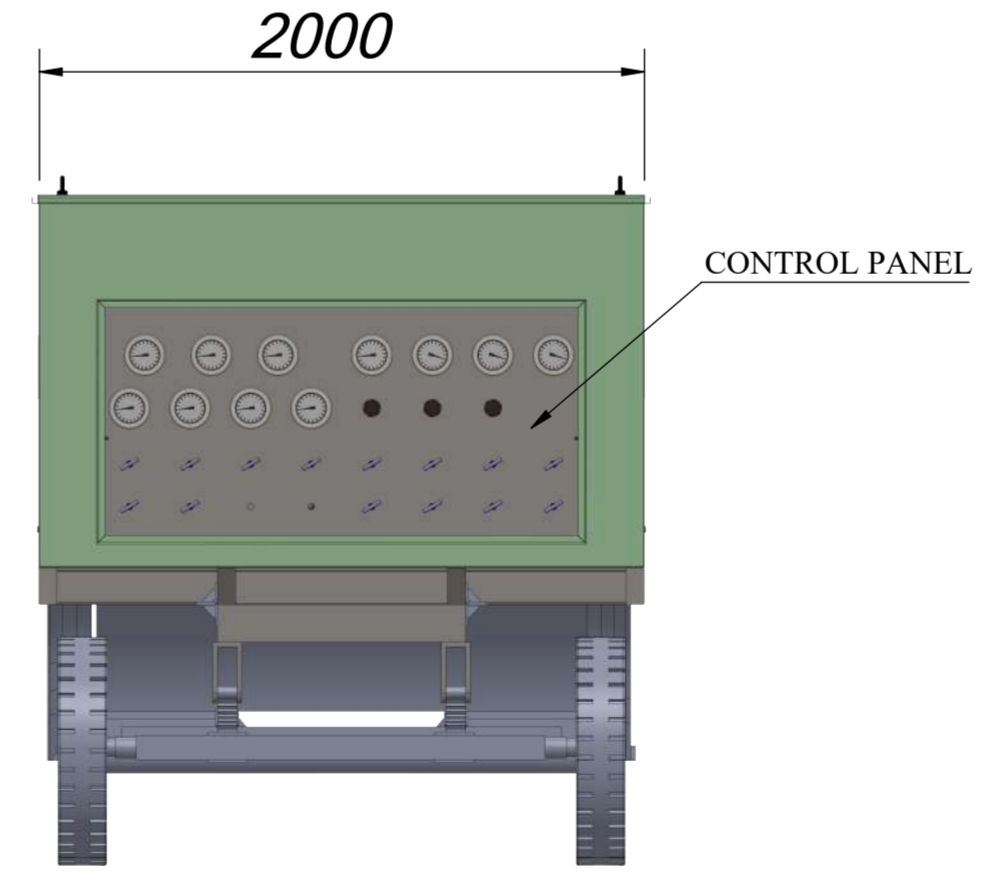
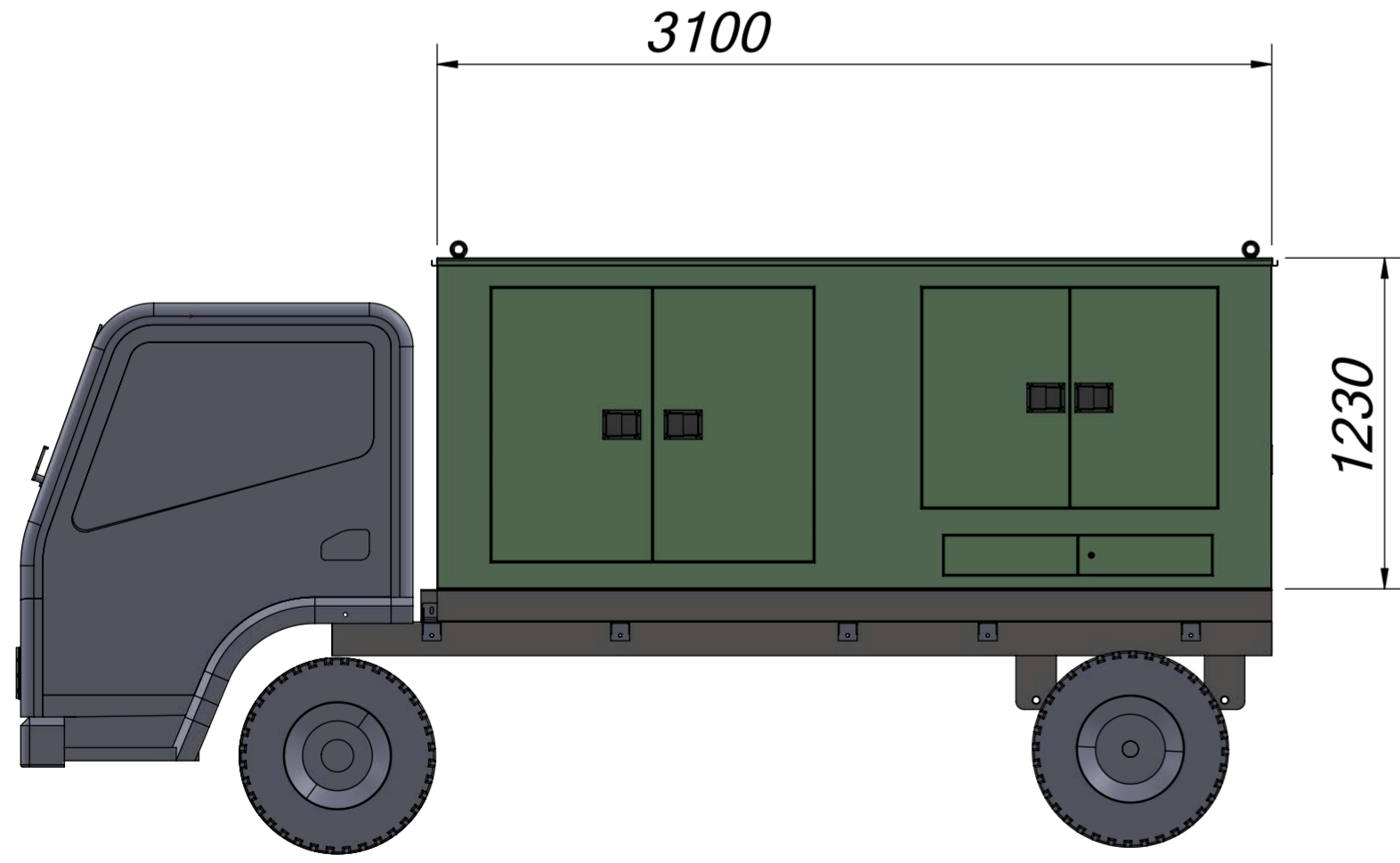
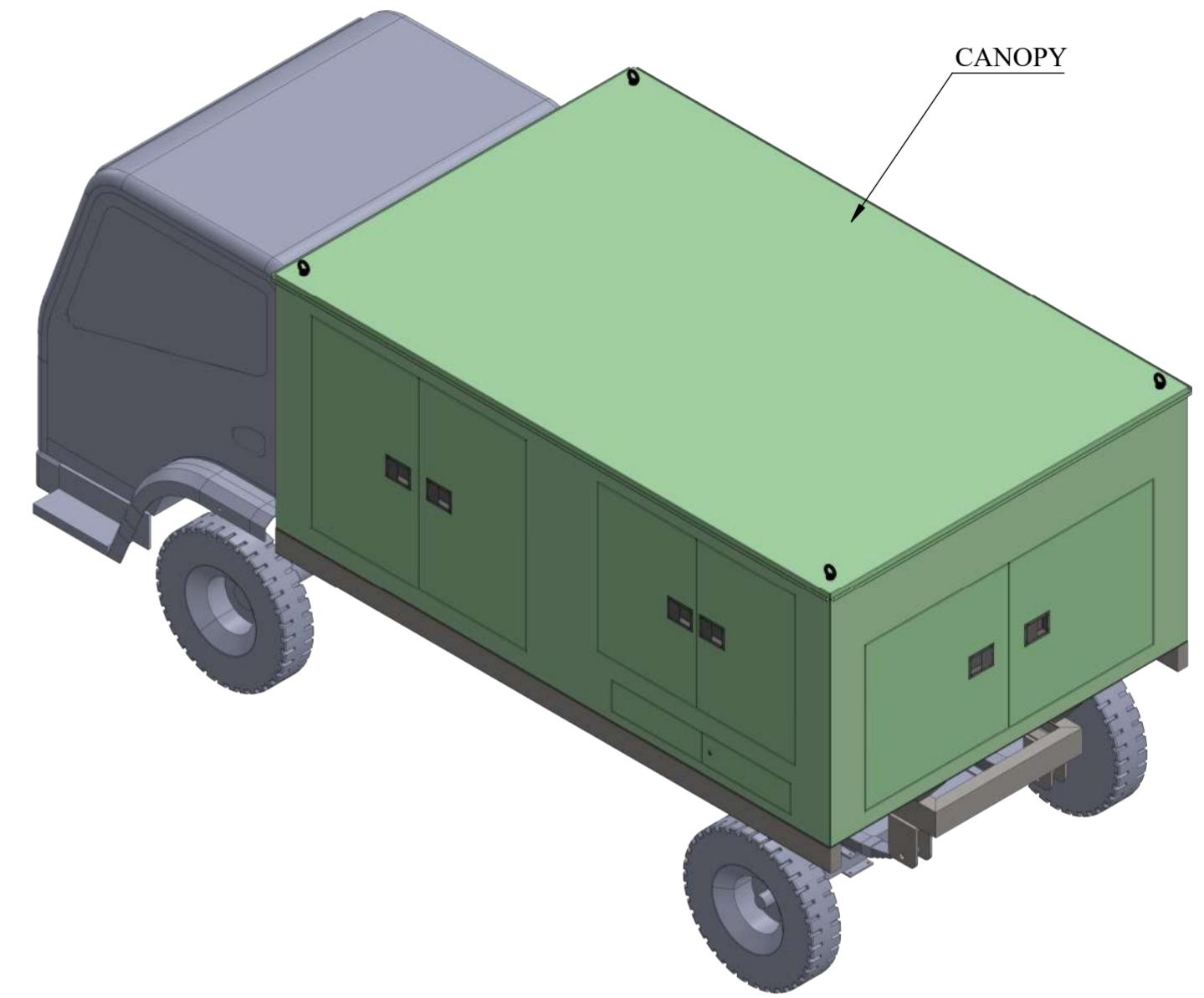
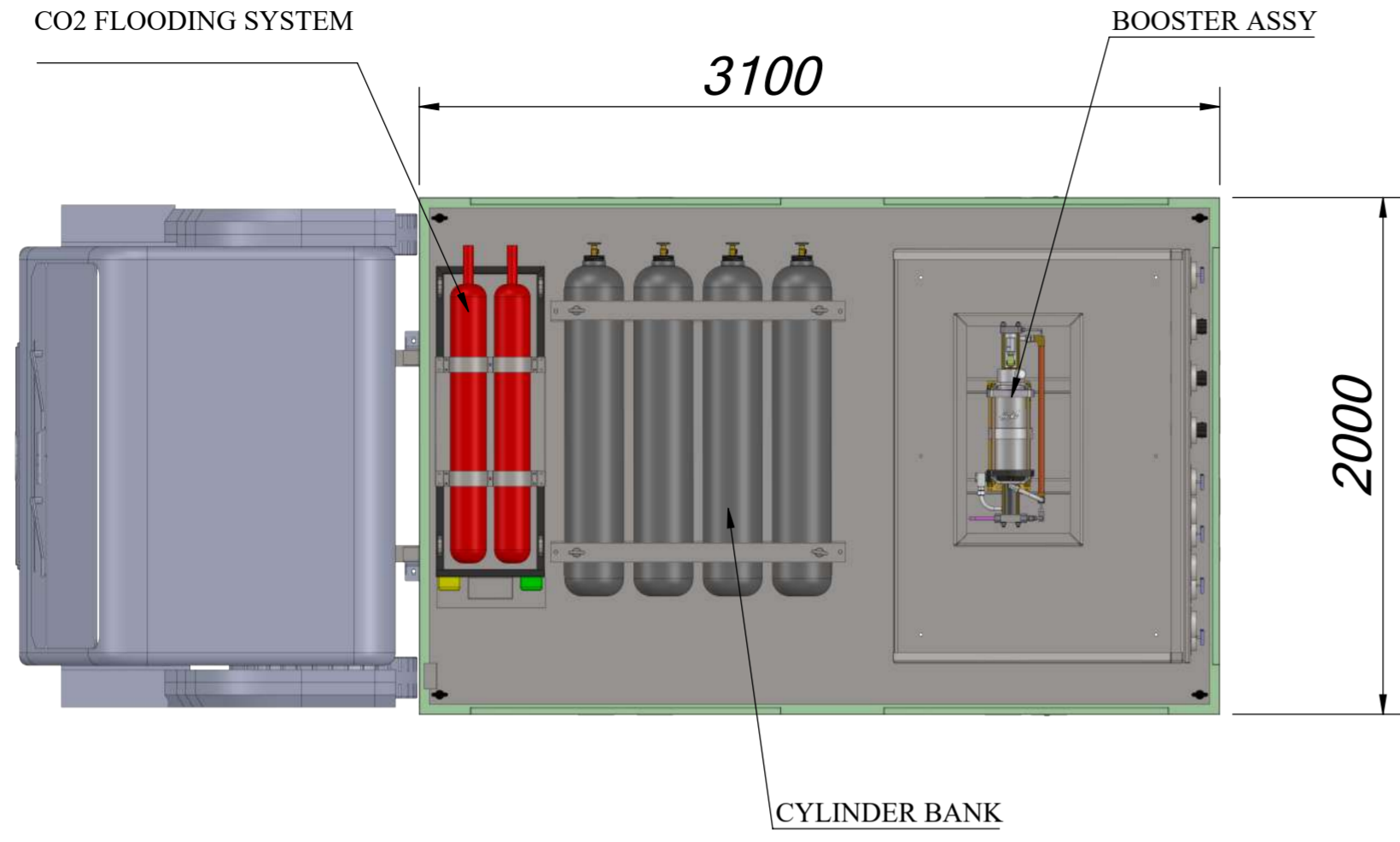


THIS DWG. IS SOLE PROPERTY OF NEOMETRIX ENGINEERING PVT. LTD. UNAUTHORISED USE OF THIS DWG. OR MAKING PRODUCT AS PER THIS DWG. WITHOUT OUR PERMISSION OR ANY OTHER MISUSE IS NOT PERMITTED.



NOTE:-  
1. ALL DIMENSIONS ARE IN MM.

**GA DRAWING**

<b>NEOMETRIX</b>		NEOMETRIX ENGINEERING PVT LTD E-148, SECTOR 63, NOIDA, UP-201301 Tel No.: 0120 4500800 Fax No.: 0120 4500888 E-mail: contact@neometrixgroup.com Design Dept.: design@neometrixgroup.com	
TITLE	UGSSO2		QA No.
SUB-TITLE	GA DWG. OXYGEN CHARGING & DISTRIBUTION VEHICLE		Cross Ref Doc No.:
SRS CODE	A3128		Customer Dwg Ref No.
CUSTOMER	--		NOTE :
END USER	--		
TD/PO. No.	--		
PROJECTION	DRWN	M.F	20/07/2024
	CHK.	S.S	20/07/2024
	APPR.	S.P.S	20/07/2024
SIZE	SCALE	SHEET No	OF
A3	NTS	01	01
NEO DWG No.			REV
T-PED-A3128-GADWG-			00