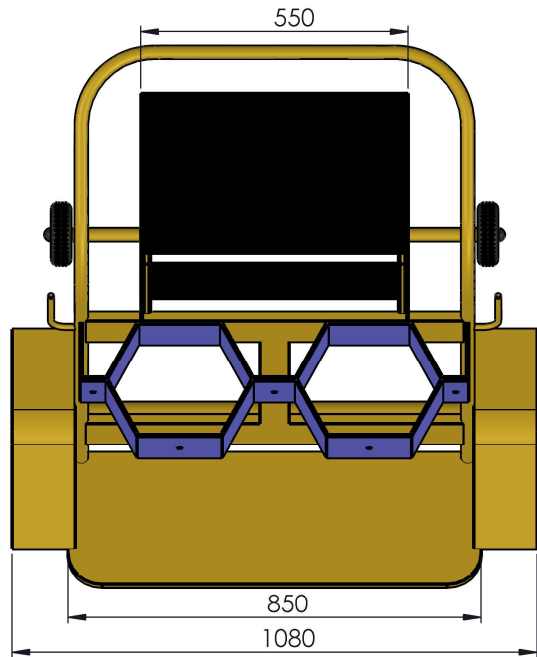
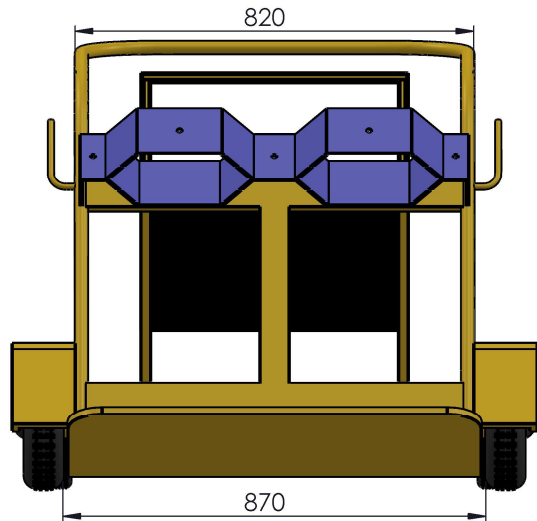


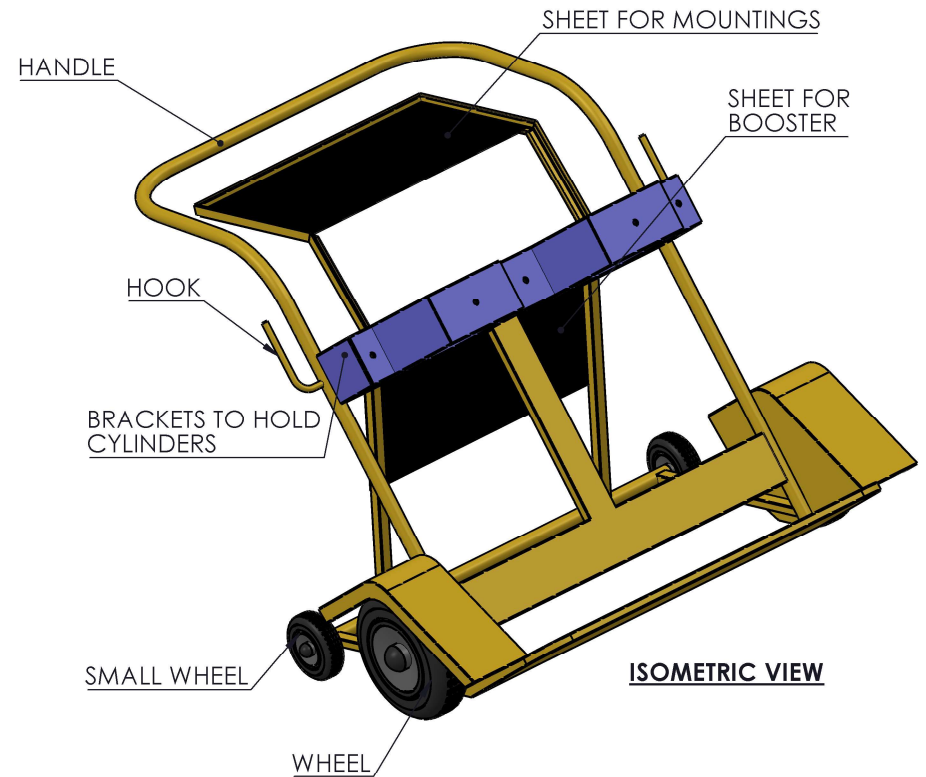
THIS DWG. IS SOLE PROPERTY OF NEOMETRIX ENGINEERING PVT. LTD. UNAUTHORISED USE OF THIS DWG. OR MAKING PRODUCT AS PER THIS DWG. WITHOUT OUR PERMISSION OR ANY OTHER MISUSE IS NOT PERMITTED.



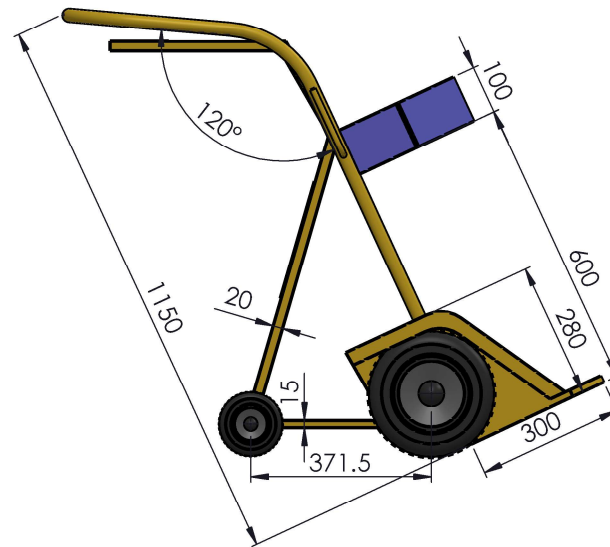
**TOP VIEW**



**FRONT VIEW**



**ISOMETRIC VIEW**



**SIDE VIEW**

|  |                               |   |            |
|--|-------------------------------|---|------------|
| <b>+++ NEOMETRIX</b><br>www.neometrixgroup.com |                               | NEOMETRIX ENGINEERING PVT. LTD.<br>E 148, Sector 63, Noida, UP-201301<br>Tel. No. :- 0120-4500800<br>Fax No. :- 0120-4500888<br>Email :- contact@neometrixgroup.com |            |
| MAIN TITLE                                     | TROLLEY FOR NITROGEN CYLINDER | QA No.  |            |
| SUB - TITLE                                    | --                            | Cross Ref. Doc. No.   |            |
| CODE   | --                            | Customer Dwg./Ref. No.  |            |
| QYT.   | --                            | NOTE:-  |            |
| MATERIAL                                       | --                            |   |            |
| HARDNESS                                       | --                            |   |            |
| PROJECTION                                     | DRAWN BY & DATE               | A.K.  | 30/03/2022 |
|  | CHECKED BY & DATE             | AS  | --         |
|  | APPROVED BY & DATE            | S.P.S   | --         |
|  |                               | Size  | A3         |
|  |                               | Scale   | NTS        |
|  |                               | Sheet No. of  | 01 of 01   |
|  |                               | NEO. DWG. No.   |            |
|  |                               | REV   | 00         |