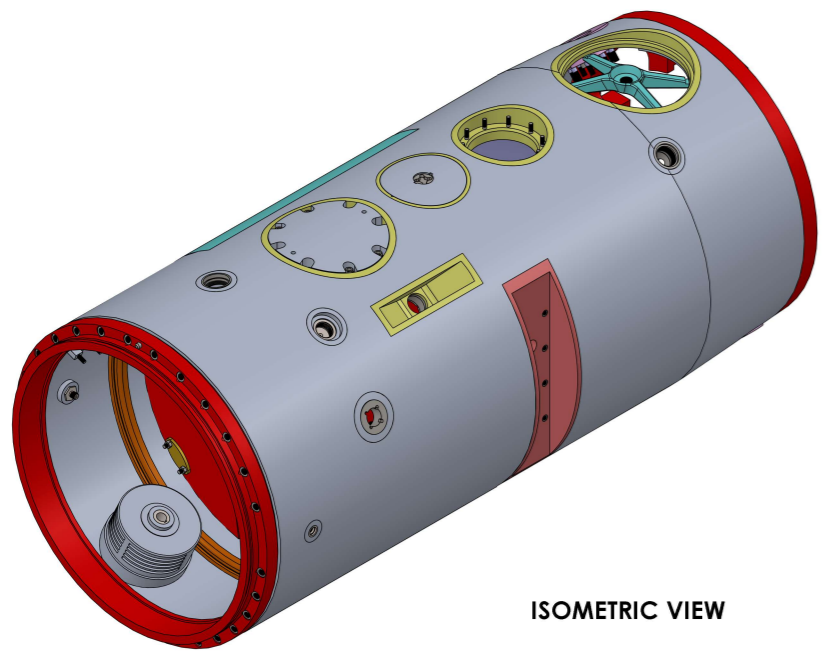
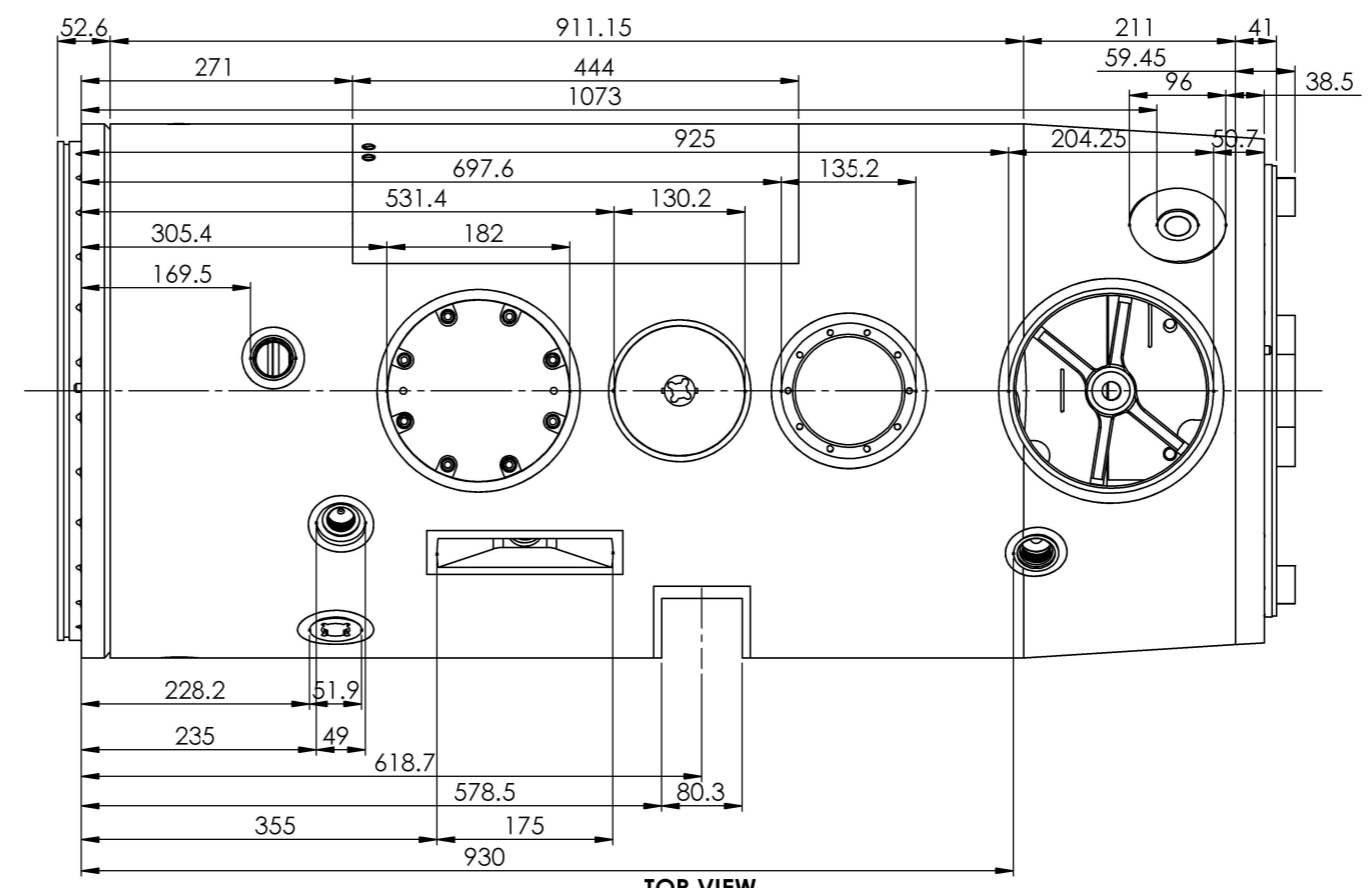


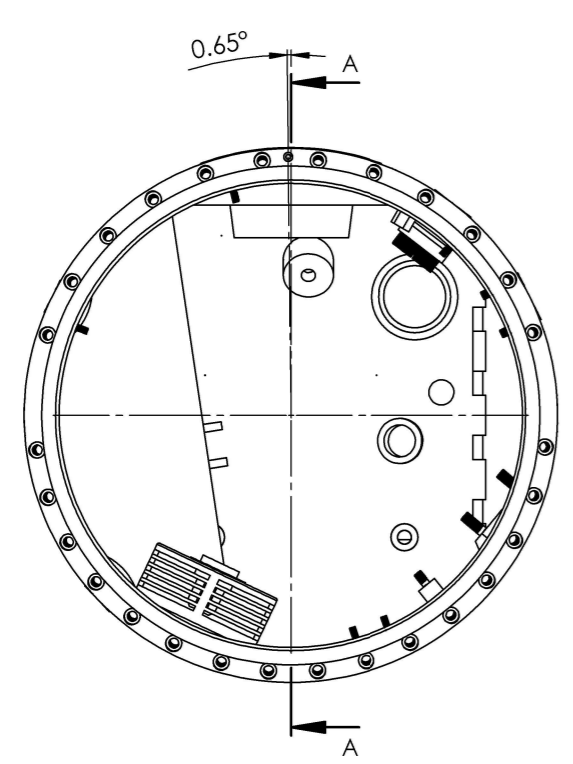
THIS DWG. IS SOLE PROPERTY OF NEOMETRIX ENGINEERING PVT. LTD. UNAUTHORISED USE OF THIS DWG. OR MAKING PRODUCT AS PER THIS DWG. WITHOUT OUR PERMISSION OR ANY OTHER MISUSE IS NOT PERMITTED.



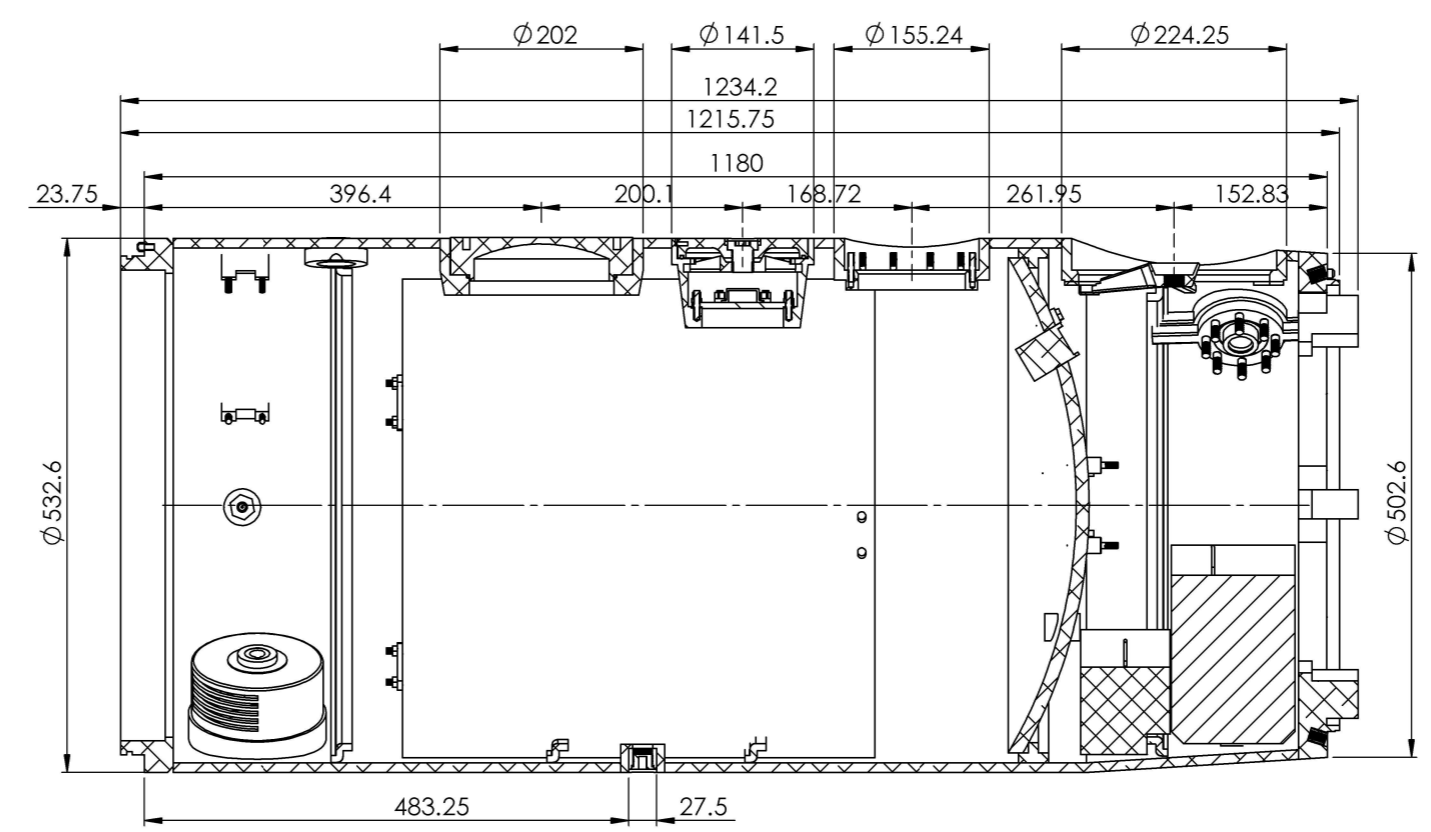
ISOMETRIC VIEW



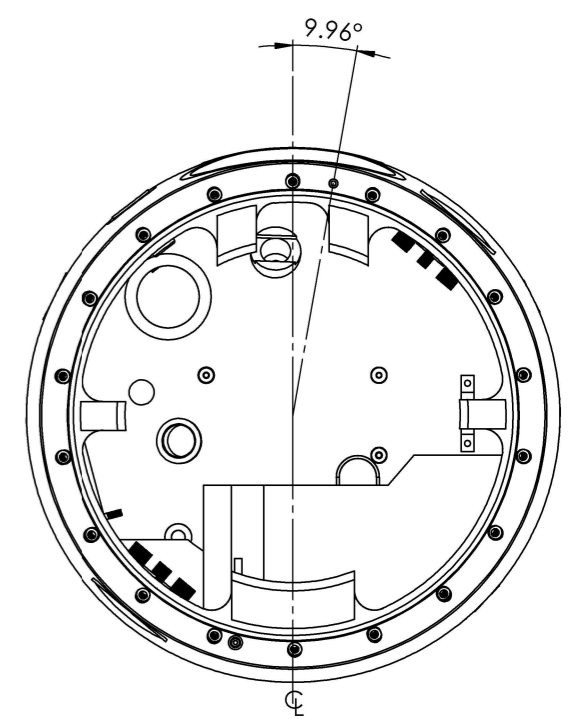
TOP VIEW



LEFT VIEW



SECTION A-A
SCALE 0.75 : 4



RIGHT VIEW

TORPEDO ASSEMBLY

NEOMETRIX
 NEOMETRIX ENGINEERING PVT LTD
 E-148, SECTOR 63, NOIDA, UP-201301
 Tel No.: 0120 4500800
 Fax No.: 0120 4500888
 E-mail: contact@neometrixgroup.com
 Design Dept.: design@neometrixgroup.com

TITLE	PRACTISE HEAD			QA No.	
SUB-TITLE	PRACTISE HEAD ASSEMBLY			Cross Ref Doc No.:	
SRS CODE	A1828			Customer Dwg Ref No.	
CUSTOMER	Logo			NOTE :	
END USER	---				
TD/PO. No.	---			DATED	
PROJECTION	DRWN	A.K.	05/07/2023	SIZE	SCALE
	CHK.	S.S	05/07/2023	A3	NFS
	APPR.	S.P.S	05/07/2023		
				SHEET	NEO DWG No.
				No	REV
				01	T-GADWG-A1828-TORPEDO ASSEMBLY
				01	OO