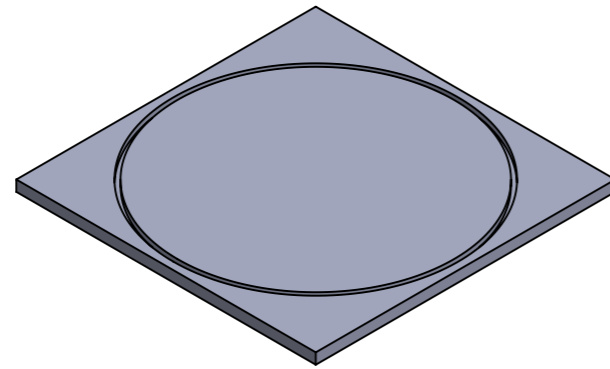
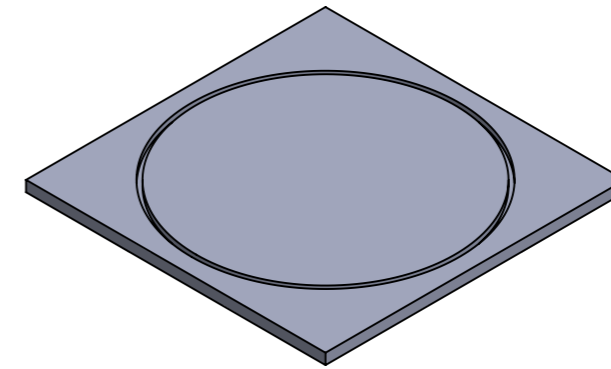


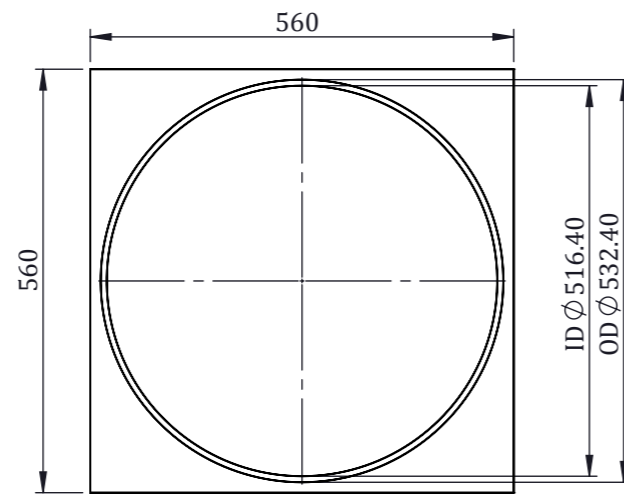
THIS DWG. IS SOLE PROPERTY OF NEOMETRIX ENGINEERING PVT. LTD.
 UNAUTHORISED USE OF THIS DWG. OR MAKING PRODUCT AS PER THIS
 DWG. WITHOUT OUR PERMISSION OR ANY OTHER MISUSE IS NOT
 PERMITTED.



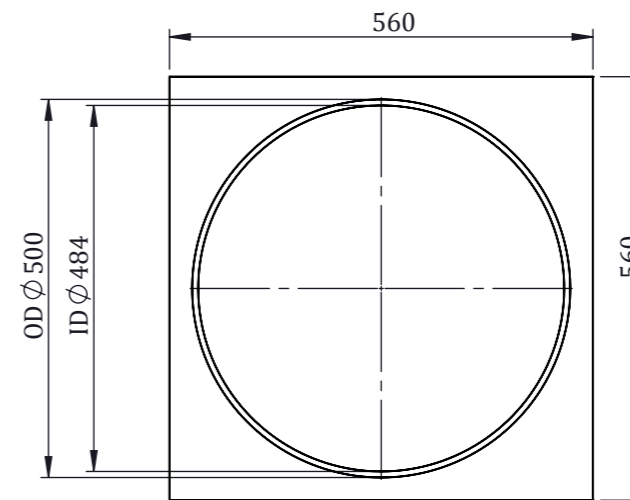
ISOMETRIC VIEW



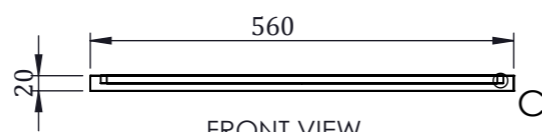
ISOMETRIC VIEW



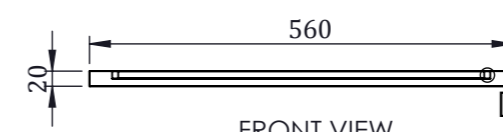
TOP VIEW



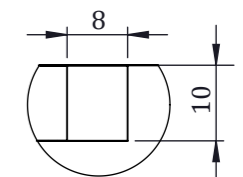
TOP VIEW



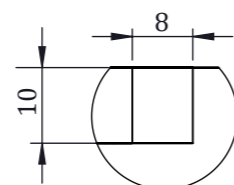
FRONT VIEW



FRONT VIEW



DETAIL D



DETAIL C

- NOTE:
1. ALL DIMENSIONS ARE IN mm.
 2. MATERIAL:MS.
 3. REMOVE ALL SHARP EDGES AND BURRS

+++ NEOMETRIX www.neometrixgroup.com		NEOMETRIX ENGINEERING PVT. LTD. E-148, Sector-63, Noida, UP-201301 Tel. No. :- 0120-4500800 Fax No. :- 0120-4500888 Email :- contact@neometrixgroup.com	
MAIN TITLE	----	QA No.	
SUB - TITLE	FIXTURES PLATE	Cross Ref. Doc. No.	
CODE	A1828	Customer Dwg./Ref. No.	
CUSTOMER	----	Note :	
END USER	----		
PO. NO.	----		
PROJECTION	DRAWN BY & DATE	SRK	13/08/2019
	CHECKED BY & DATE	RK	13/08/2019
	APPROVED BY & DATE	S.P.S	13/08/2019
	Size	A3	
	Scale	NTS	
	Sheet No.	01	
	Sheet Of	01	
	NEO. DWG. No.	T-PED-A1828-MDWG-FIXTURES	
	REV	00	