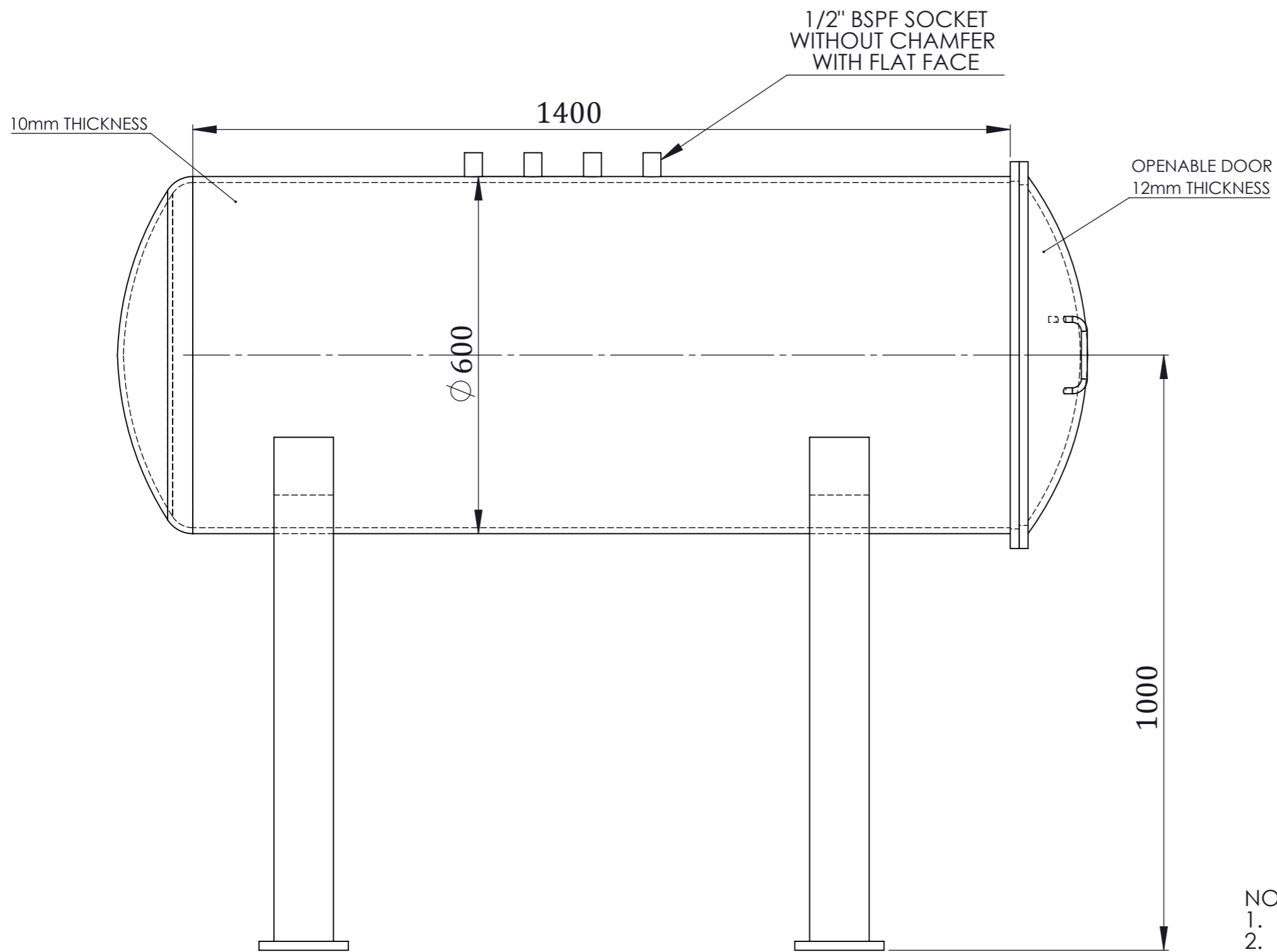
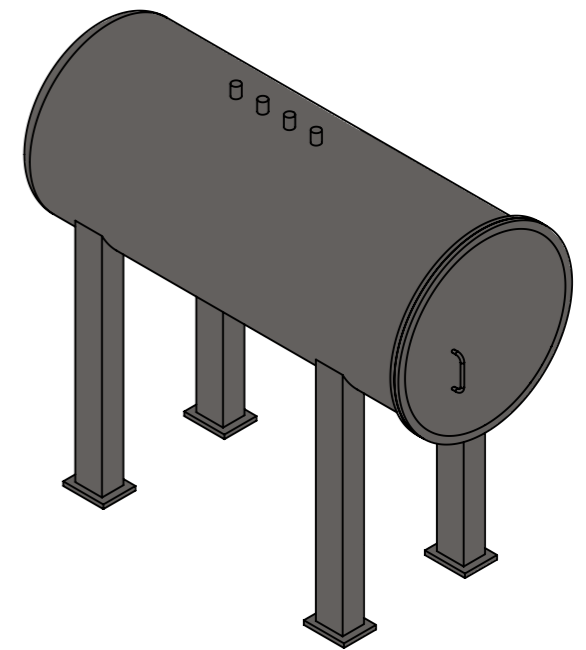


THIS DWG. IS SOLE PROPERTY OF NEOMETRIX ENGINEERING PVT. LTD.
 UNAUTHORISED USE OF THIS DWG. OR MAKING PRODUCT AS PER THIS
 DWG. WITHOUT OUR PERMISSION OR ANY OTHER MISUSE IS NOT
 PERMITTED.



FRONT VIEW



ISOMETRIC VIEW

NOTE:

1. ALL DIMENSIONS ARE IN mm.
2. MATERIAL:MS.
3. DESIGN PRESSURE: 16 BAR.

+++ NEOMETRIX www.neometrixgroup.com		NEOMETRIX ENGINEERING PVT. LTD. E-148, Sector-63, Noida, UP-201301 Tel. No. :- 0120-4500800 Fax No. :- 0120-4500888 Email :- contact@neometrixgroup.com	
MAIN TITLE	----	QA No.	
SUB - TITLE	PRESSURE CHAMBER	Cross Ref. Doc. No.	
CODE	A1828	Customer Dwg./Ref. No.	
CUSTOMER	----	Note :	
END USER	----		
PO. NO.	----		
PROJECTION	DRAWN BY & DATE	SRK	08/07/2019
	CHECKED BY & DATE	SM	08/07/2019
	APPROVED BY & DATE	S.P.S	08/07/2019
Size	Scale	Sheet	NEO. DWG. No.
A3	NTS	No. 01	REV
		01	T-RFQ-A1828-PRESSURE CHAMBER
			00