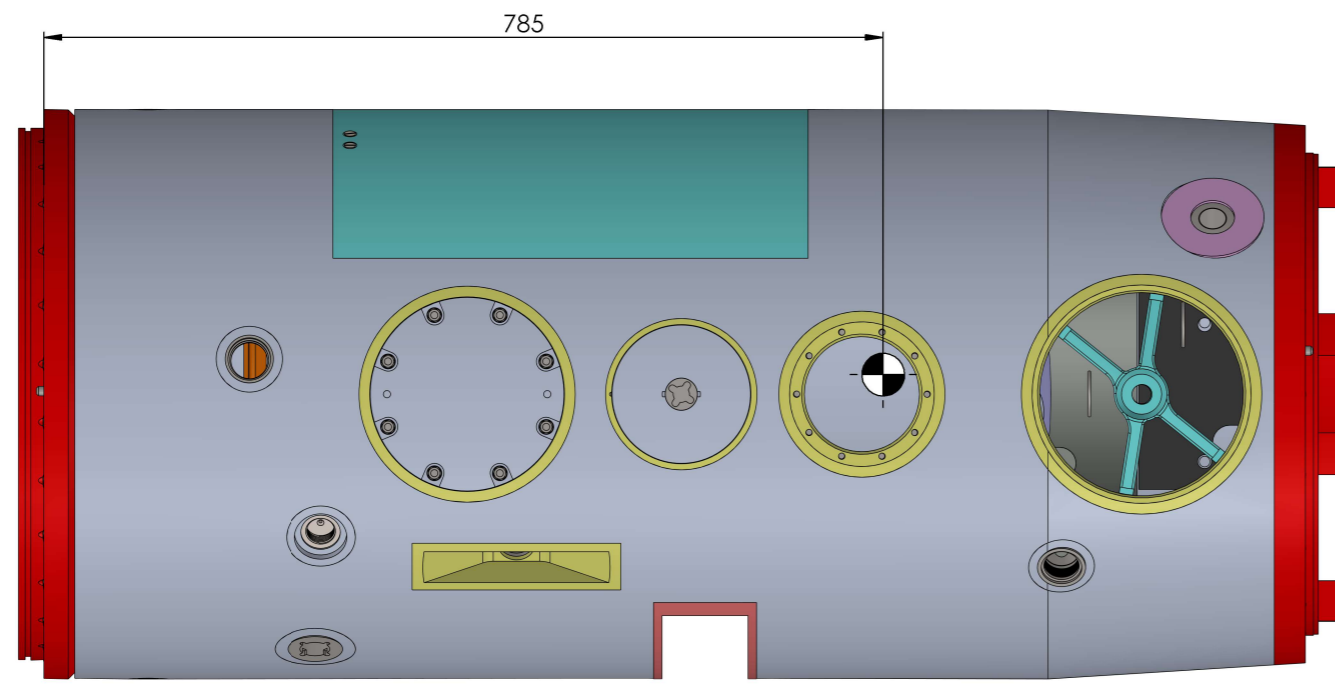
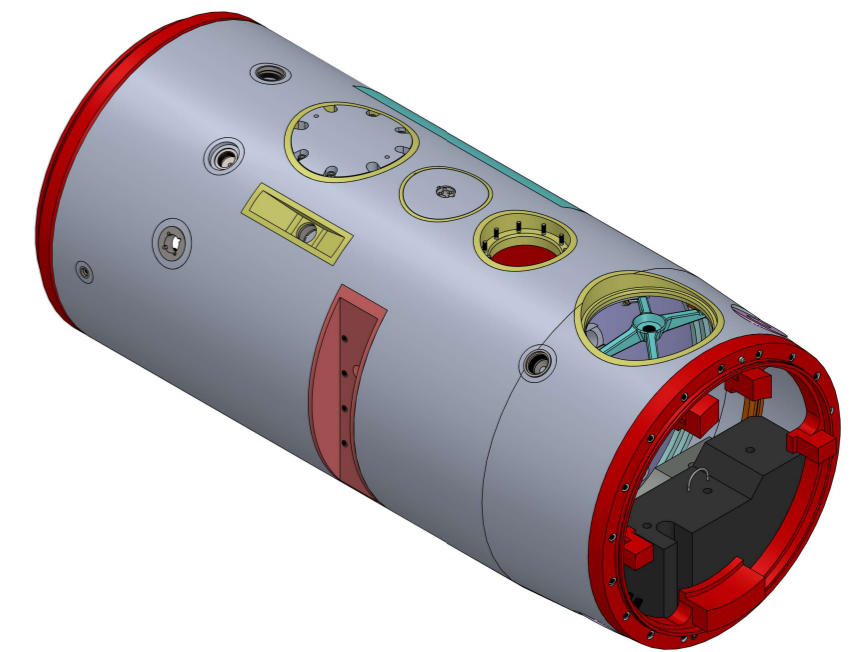


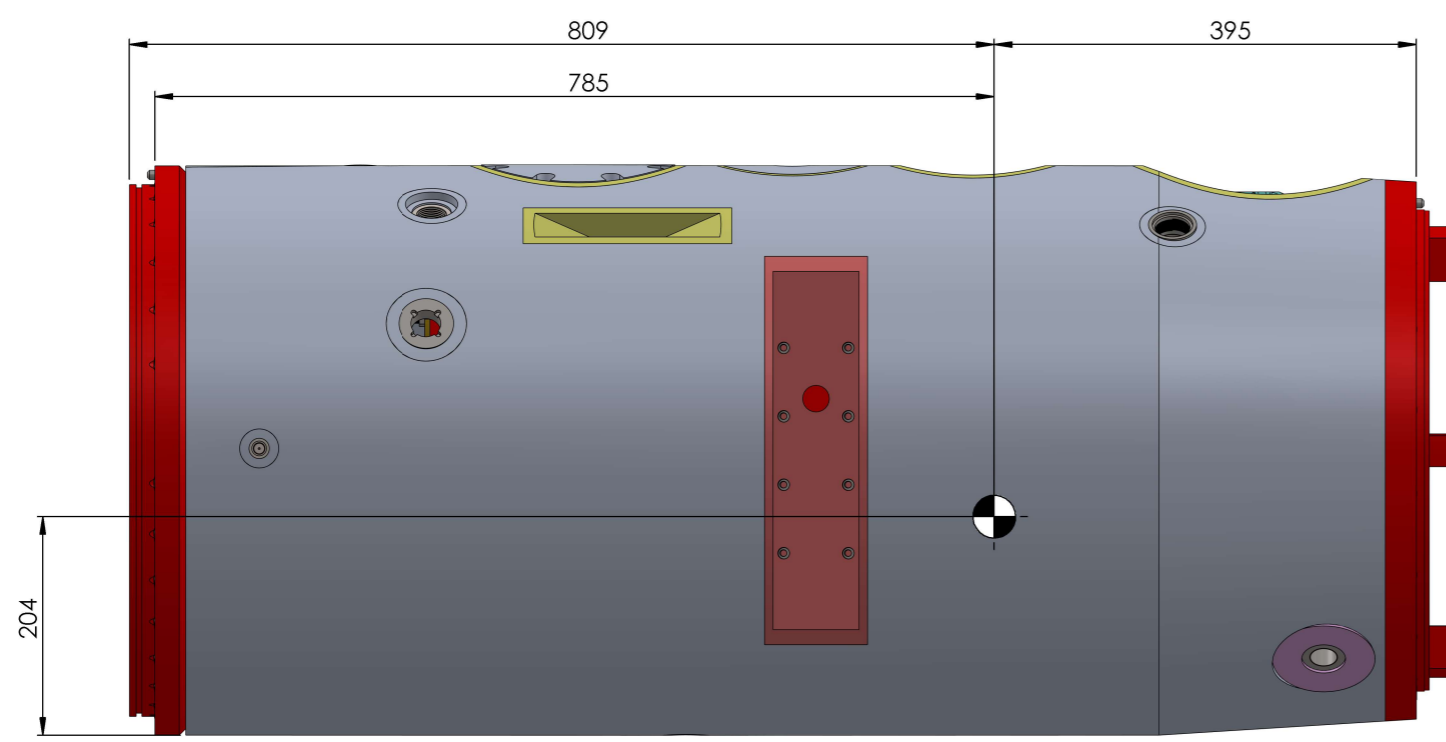
THIS DWG. IS SOLE PROPERTY OF NEOMETRIX ENGINEERING PVT. LTD. UNAUTHORISED USE OF THIS DWG. OR MAKING PRODUCT AS PER THIS DWG. WITHOUT OUR PERMISSION OR ANY OTHER MISUSE IS NOT PERMITTED.



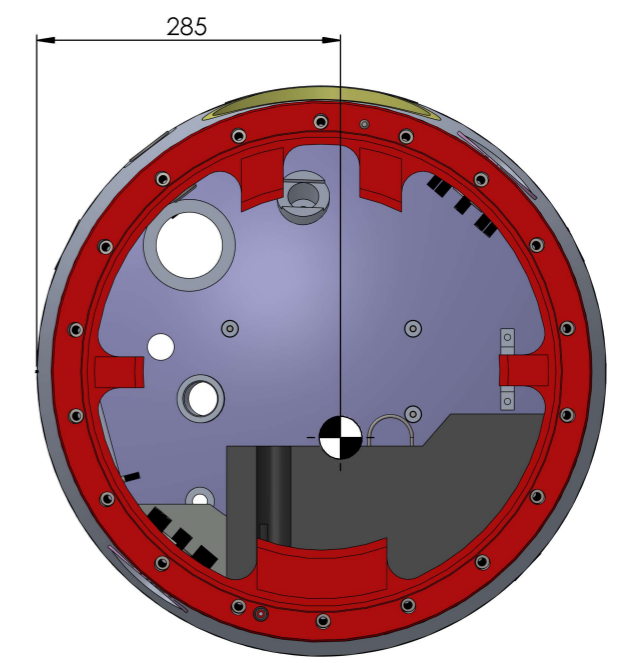
TOP VIEW



ISOMETRIC VIEW



FRONT VIEW



RIGHT VIEW

NOTE:

- OEM PRACTICE HEAD WEIGHT INCLUDING DEAD WEIGHTS: 165KG.
- OEM PRACTICE HEAD WEIGHT EXCLUDING DEAD WEIGHTS: 95KG.
- DEAD WEIGHT: (38.560+29.440 KG).
- 3D MODEL WEIGHT INCLUDING DEAD WEIGHTS: 160KG.
- ALL DIMENSIONS ARE IN MM.



NEOMETRIX ENGINEERING PVT LTD
E-148, SECTOR 63, NOIDA, UP-201301
Tel No.: 0120 4500800
Fax No.: 0120 4500888
E-mail: contact@neometrixgroup.com
Design Dept.: design@neometrixgroup.com

TITLE		PRACTICE HEAD FOR OXYGEN TROPEDO				QA No.	
SUB-TITLE		PHYSICAL PROPERTIES OF PH				Cross Ref Doc No.:	
SRS CODE		A1828				Customer Dwg Ref No.	
CUSTOMER		Logo				NOTE:	
END USER		---					
TD/PO. No.		---				DATED	
PROJECTION	DRWN	A.K.	01/08/2023	SIZE	SCALE	SHEET	NEO DWG No.
	CHK.	A.K.	01/08/2023	A3	NFS	No. of	T-GADWG-A1828-PHYSICAL PROPERTIES OF PH
	APPR.	S.P.S	01/08/2023				
							00