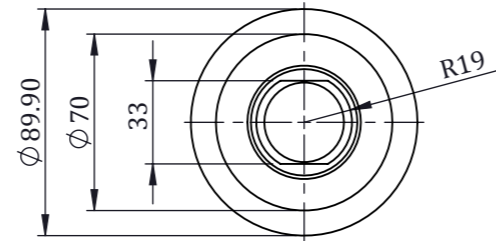
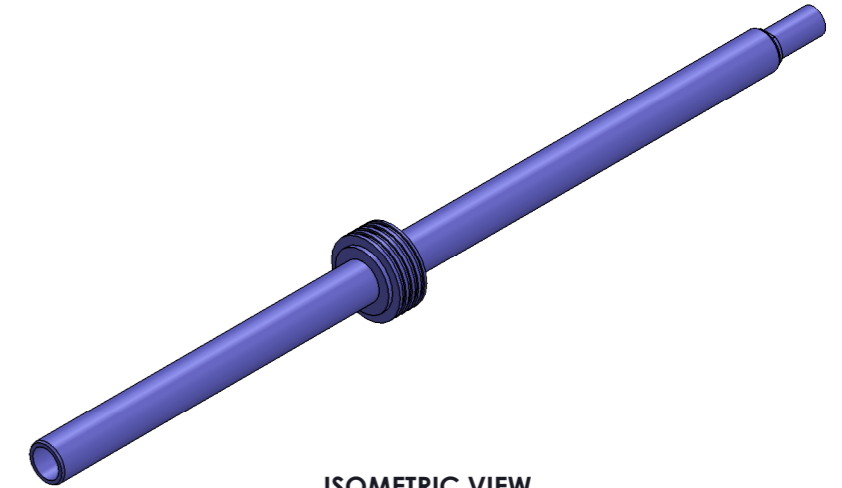


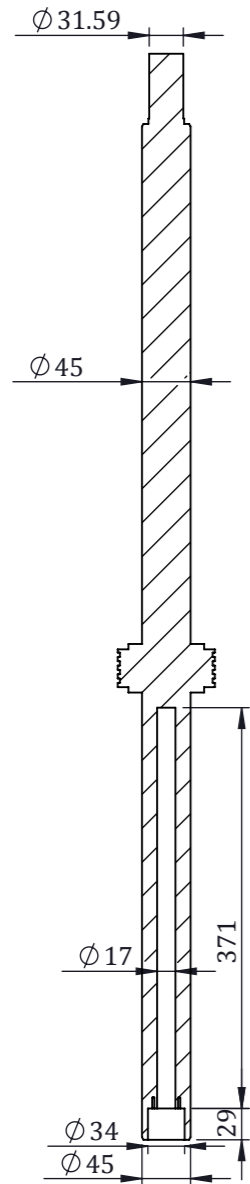
THIS DWG. IS SOLE PROPERTY OF NEOMETRIX ENGINEERING PVT. LTD.  
 UNAUTHORISED USE OF THIS DWG. OR MAKING PRODUCT AS PER THIS  
 DWG. WITHOUT OUR PERMISSION OR ANY OTHER MISUSE IS NOT  
 PERMITTED.



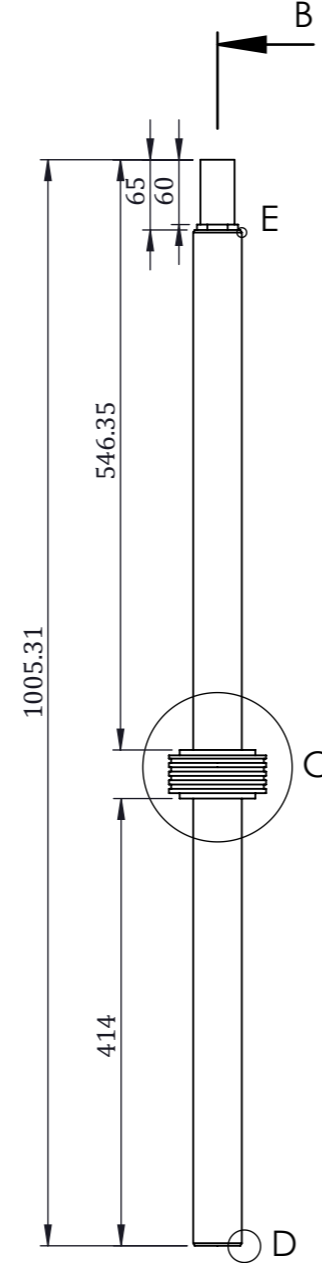
BACK VIEW



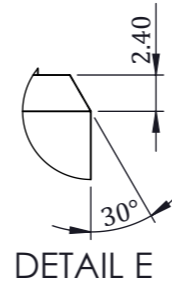
ISOMETRIC VIEW



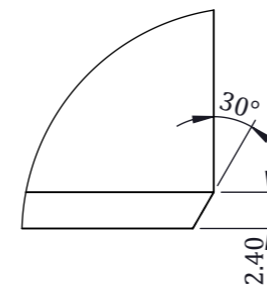
SECTION B-B



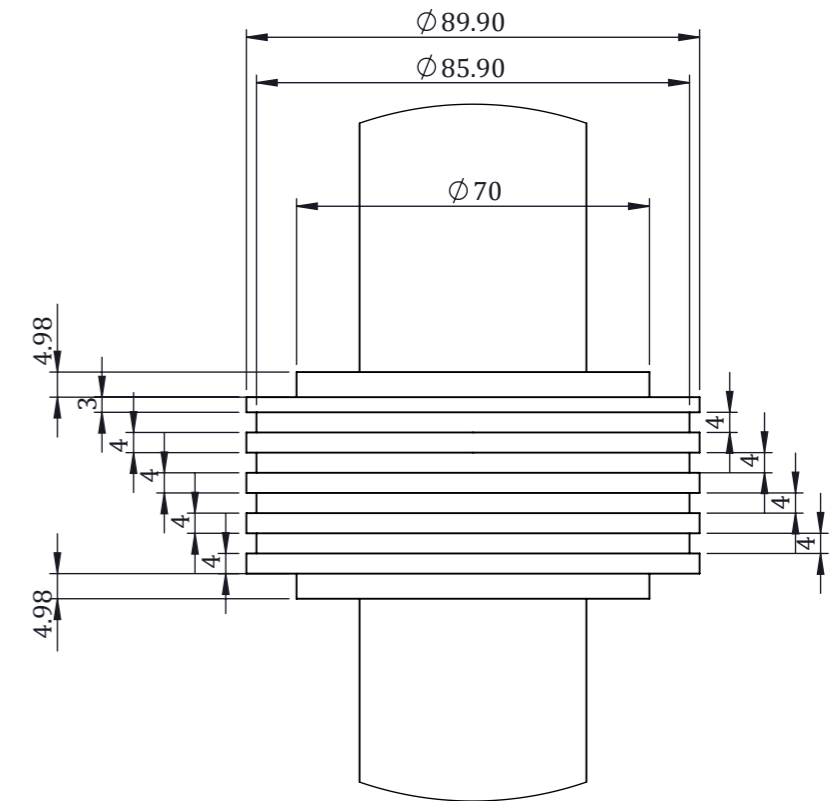
FRONT VIEW



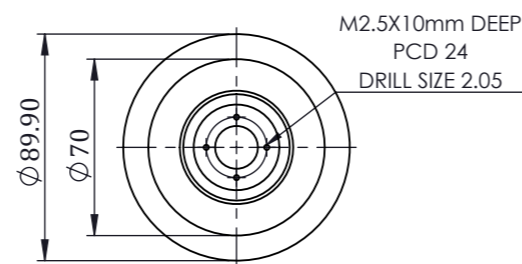
DETAIL E



DETAIL D



DETAIL C



TOP VIEW

<b>NEOMETRIX</b> www.neometrixgroup.com		NEOMETRIX ENGINEERING PVT. LTD. E-148, Sector-63, Noida, UP-201301 Tel. No. :- 0120-4500800 Fax No. :- 0120-4500888 Email :- contact@neometrixgroup.com	
MAIN TITLE	HPPAS	QA No.	
SUB - TITLE	HORIZONTAL ACTUATOR PISTON	Cross Ref. Doc. No.	
CODE	A1637	Customer Dwg./Ref. No.	
CUSTOMER	----	Note :	
END USER	----		
PO. NO.	----		
PROJECTION	DRAWN BY & DATE	SRK	09/02/2019
	CHECKED BY & DATE	RK	09/02/2019
	APPROVED BY & DATE	S.P.S	09/02/2019
	Size	Scale	Sheet
	A3	NTS	No. Of
			01 01
	NEO. DWG. No.		REV
	T-PED-A1637-MDWG-HA PISTON		00