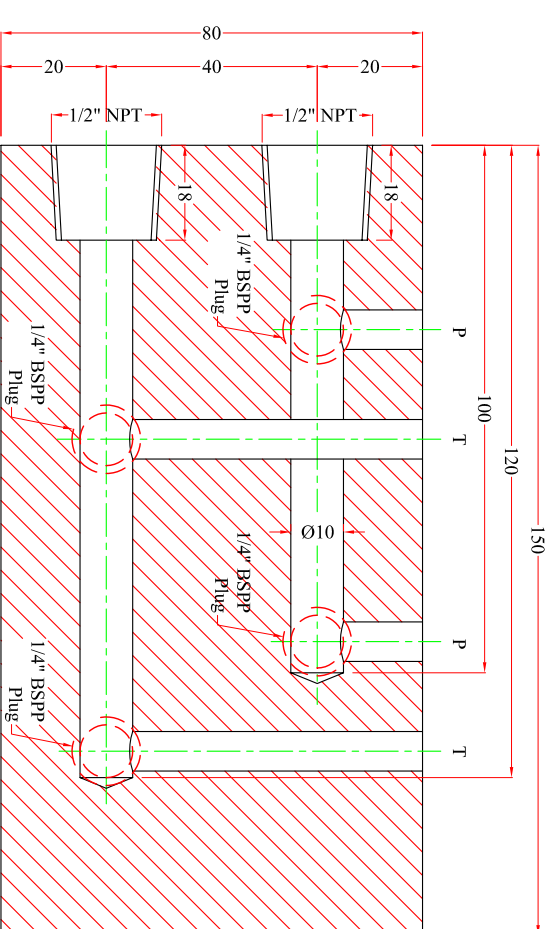
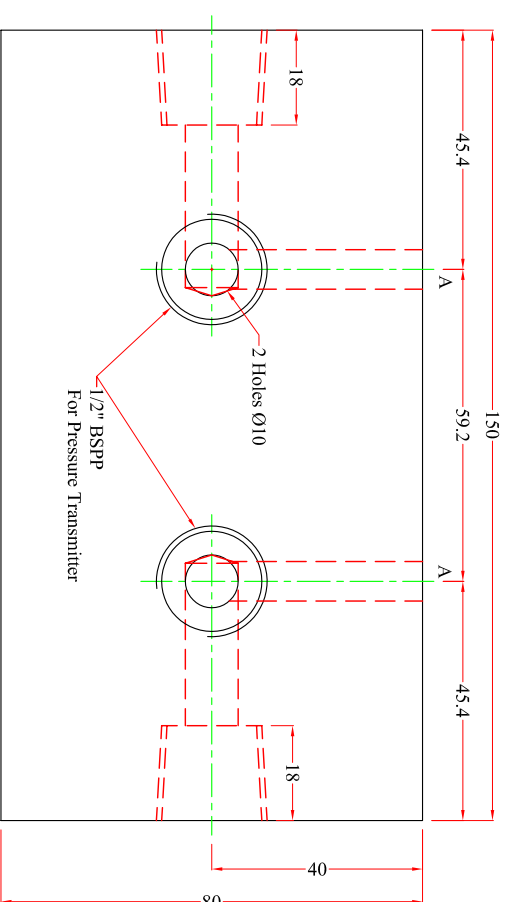
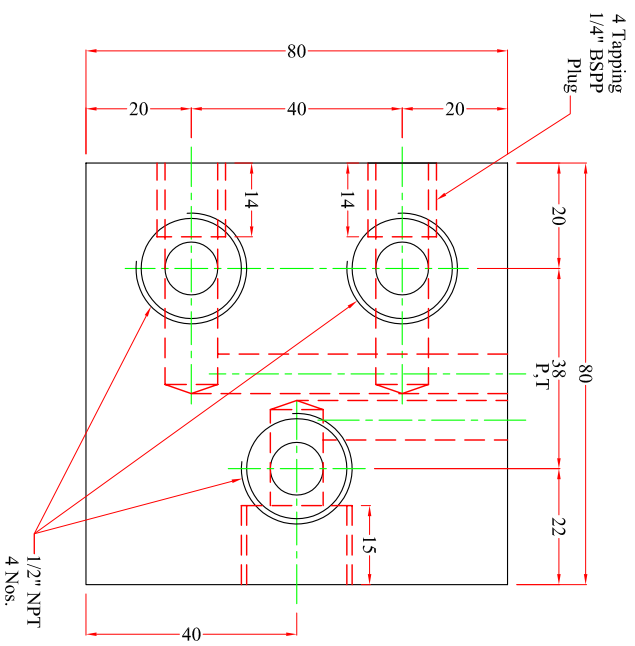
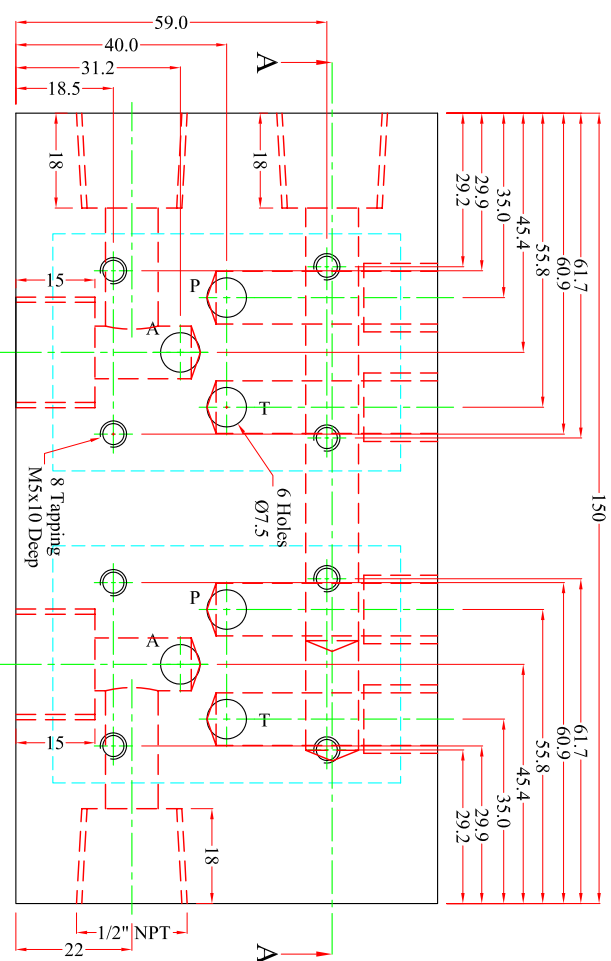
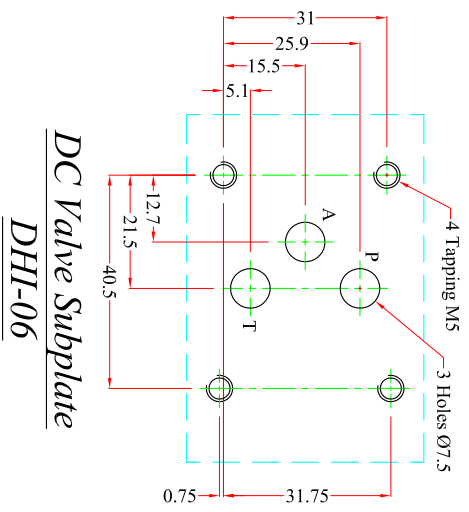


THIS DWG. IS SOLE PROPERTY OF NEOMETRIX ENGINEERING PVT. LTD.
UNAUTHORISED USE OF THIS DWG. OR MAKING PRODUCT AS PER THIS DWG.
WITHOUT OUR PERMISSION OR ANY OTHER MISUSE IS NOT PERMITTED.



Manifold-M2
Qty:- 01 No.

NEOMETRIX		NEOMETRIX ENGINEERING PRIVATE LIMITED	
www.neometrix.in		E-148, SECTOR-63, NOIDA	
MAIN TITLE		MRA TEST RIG	
ASSEMBLY		MAIN ASSEMBLY	
PART		MANIFOLD-M2	
DESIGNED BY		SK	
DRAWN BY		SK	
CHECKED BY		AS	
APPROVED BY		SPS	
SCALE		NOT TO SCALE	
PROJECTION		FIRST ANGLE	
SHEET NO.		REV. 00	
DWG. NO. :-		NX-MD-8000040	