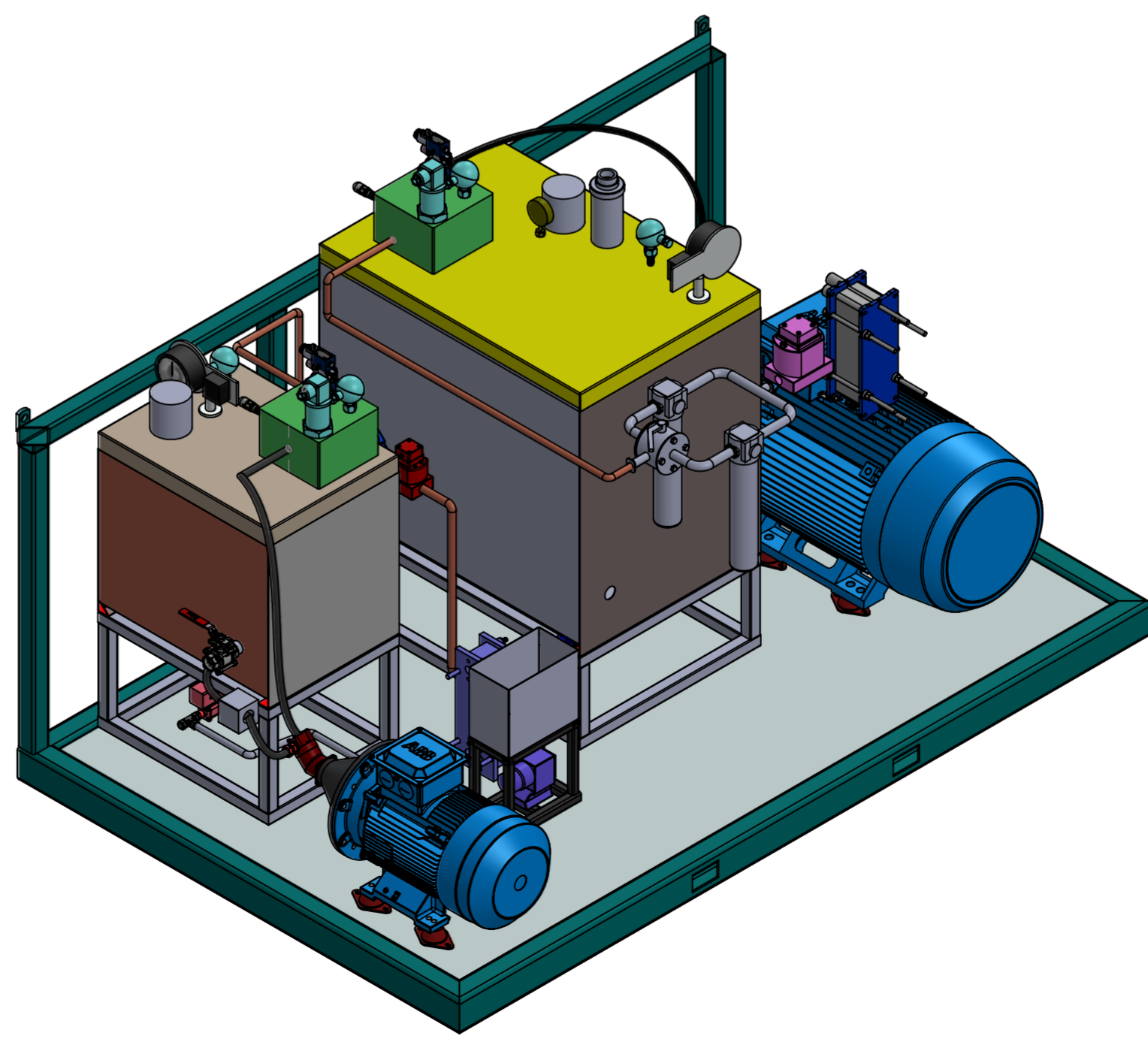
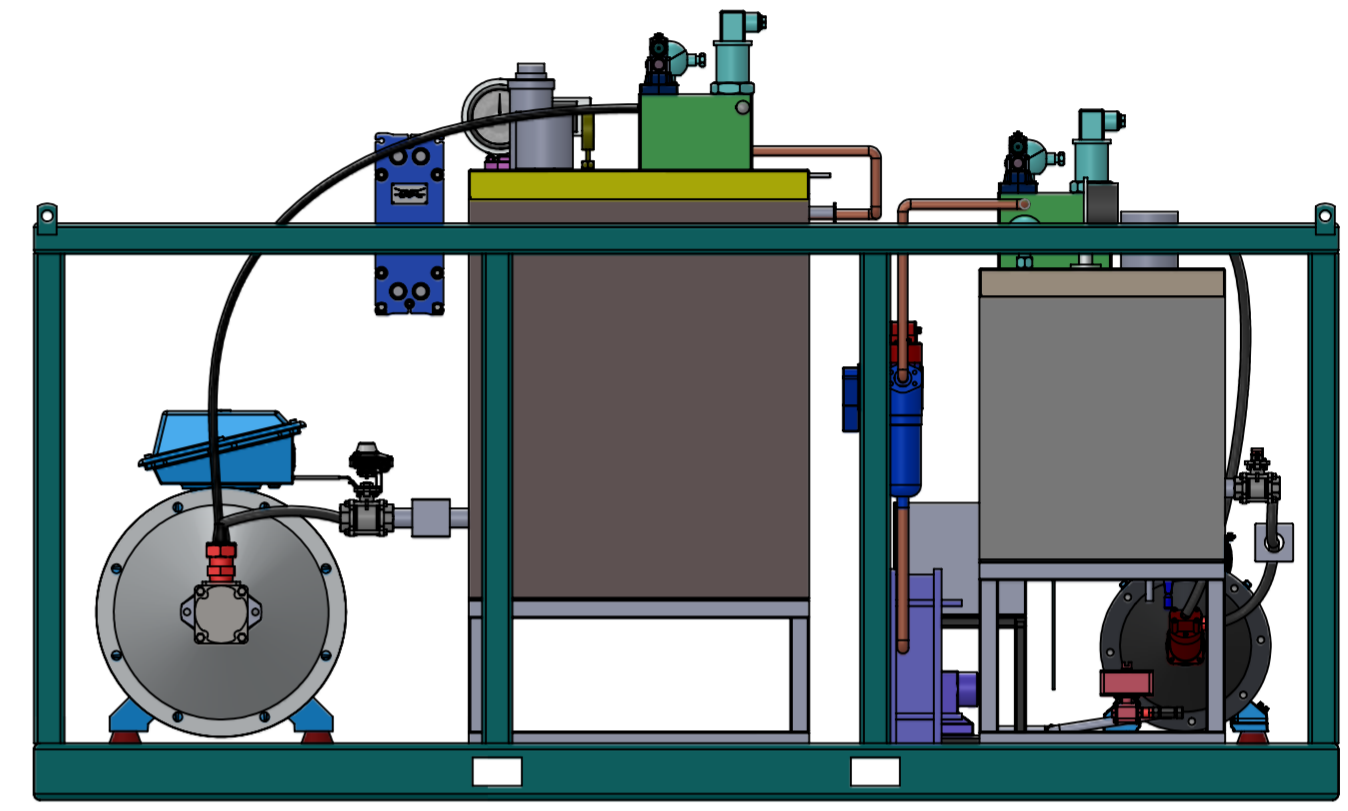
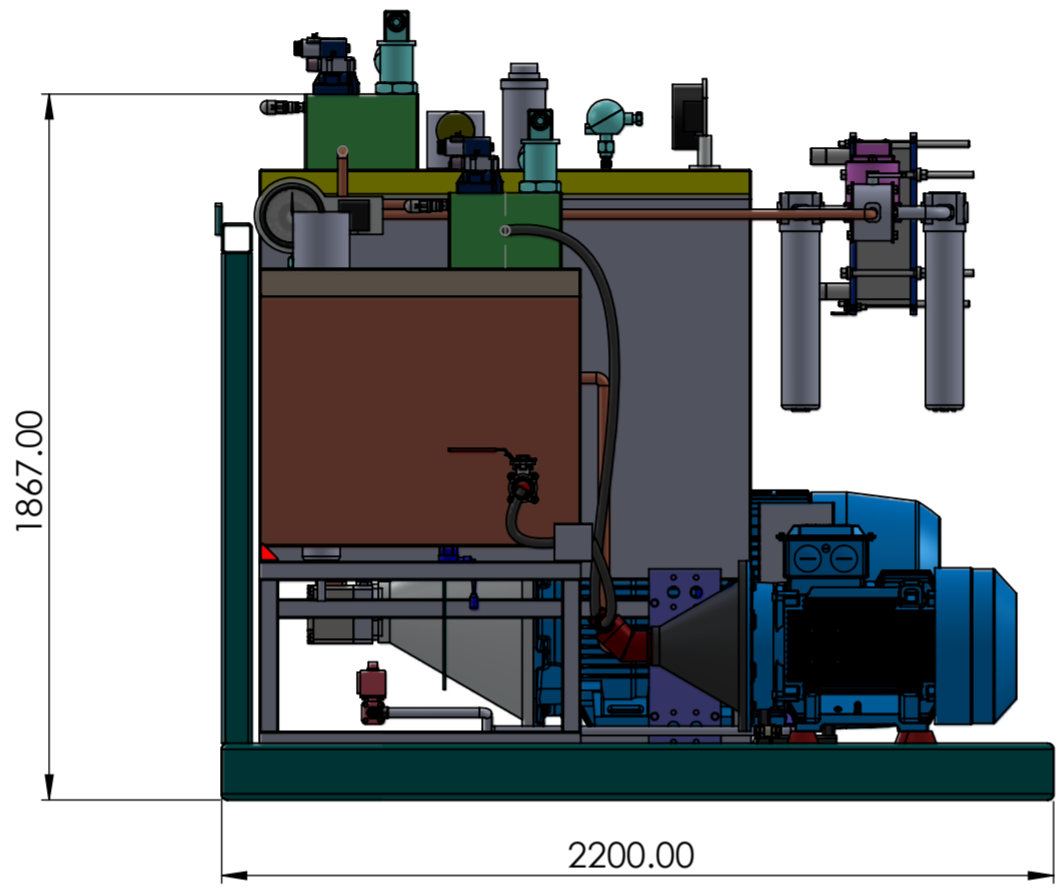
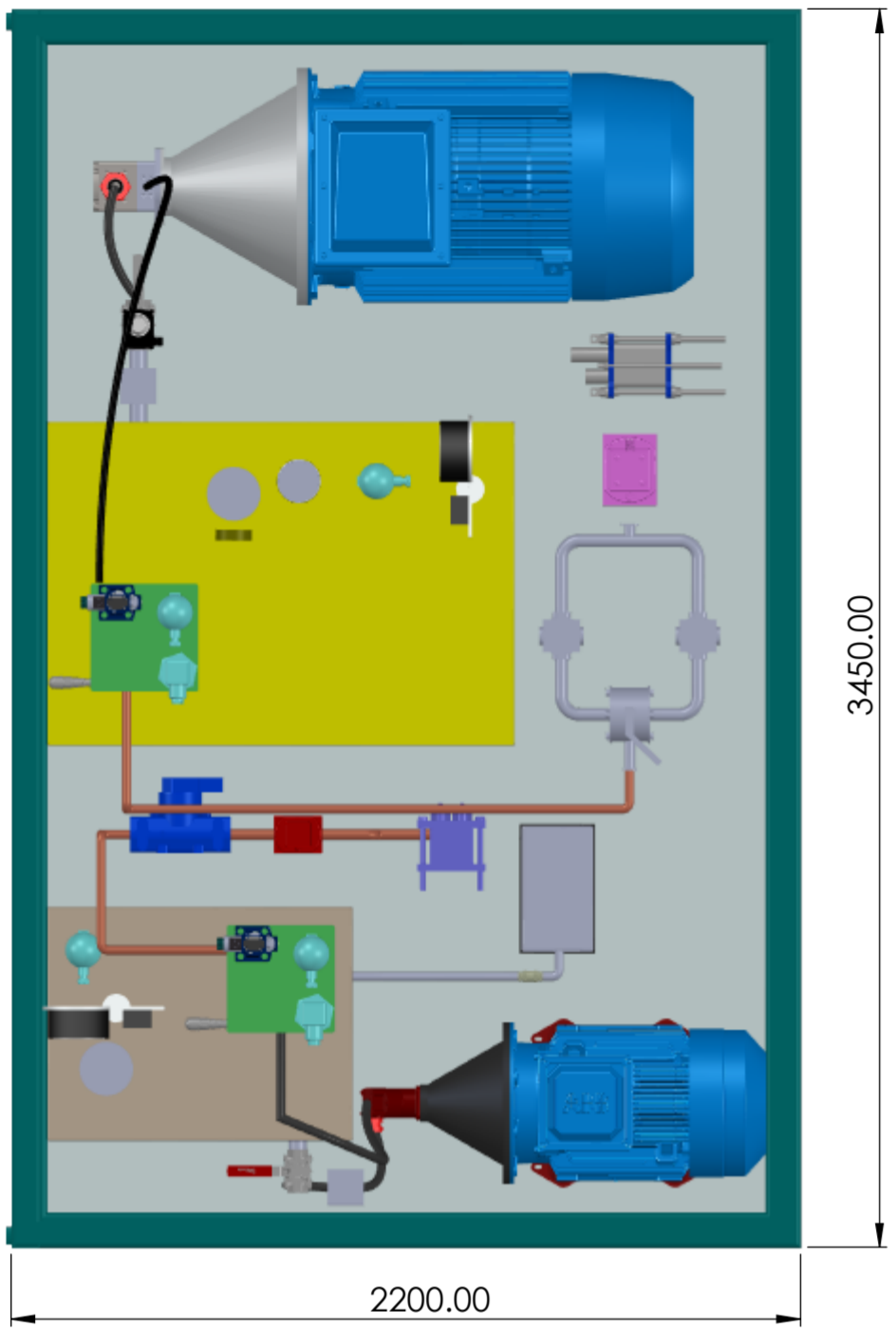


THIS DWG. IS SOLE PROPERTY OF NEOMETRIX ENGINEERING PVT. LTD.  
 UNAUTHORISED USE OF THIS DWG. OR MAKING PRODUCT AS PER THIS  
 DWG. WITHOUT OUR PERMISSION OR ANY OTHER MISUSE IS NOT  
 PERMITTED.



<b>NEOMETRIX</b>		NEOMETRIX ENGINEERING PVT LTD E-148, SECTOR 63, NOIDA, UP-201301 Tel No.: 0120 4500800 Fax No.: 0120 4500888 E-mail: contact@neometrixgroup.com Design Dept.: design@neometrixgroup.com	
TITLE	--	QA No.	--
SUB-TITLE	--	Cross Ref Doc No.:	--
SRS CODE	--	Customer Dwg Ref No.	--
CUSTOMER	Logo --	NOTE :	--
END USER	--		
TD/PO. No.	--	DATED	--
PROJECTION	DRWN --	09/02/2023	SIZE SCALE SHEET No OF
CHK. --	09/02/2023	A3 NFS	01 01 --
APPR. S.P.S	09/02/2023		NEO DWG No.
			REV
			00