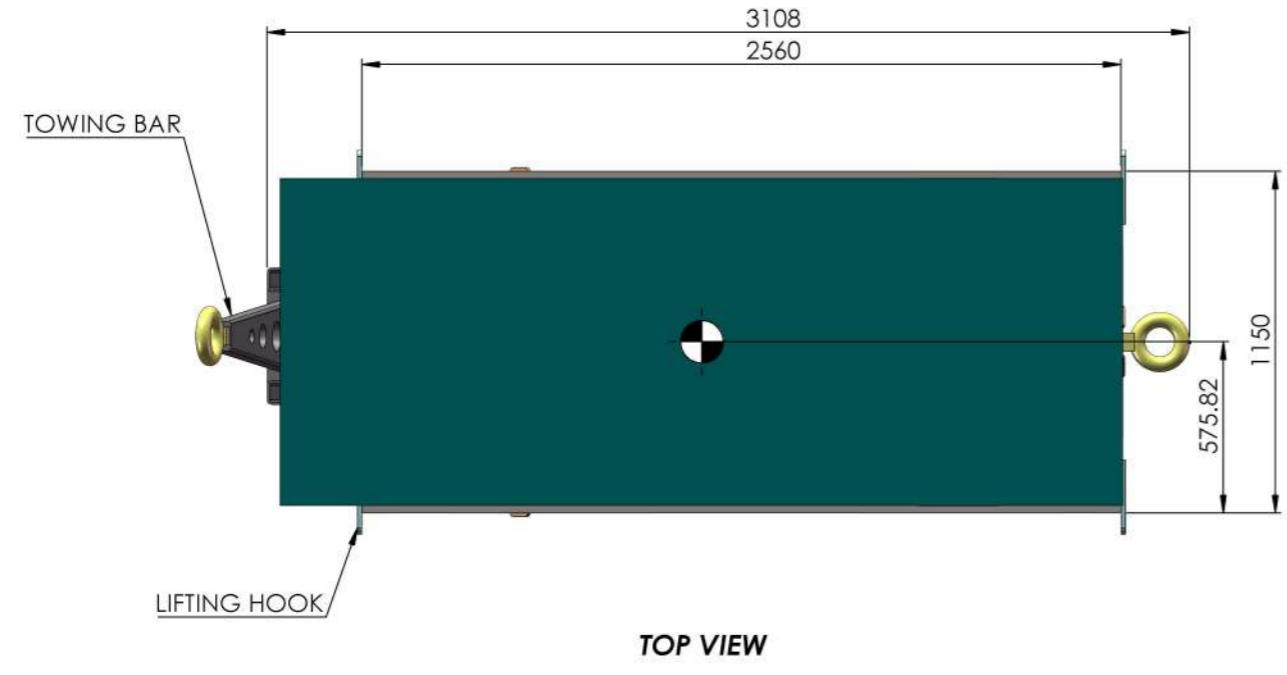
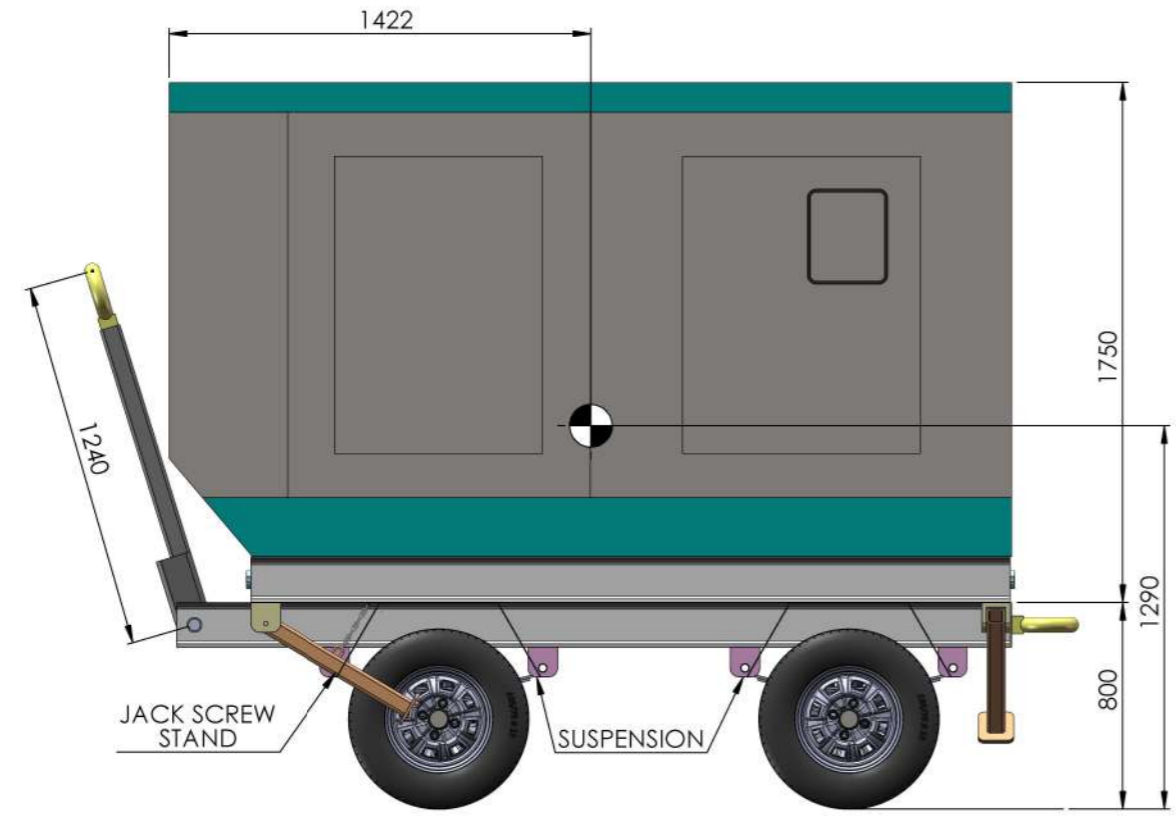


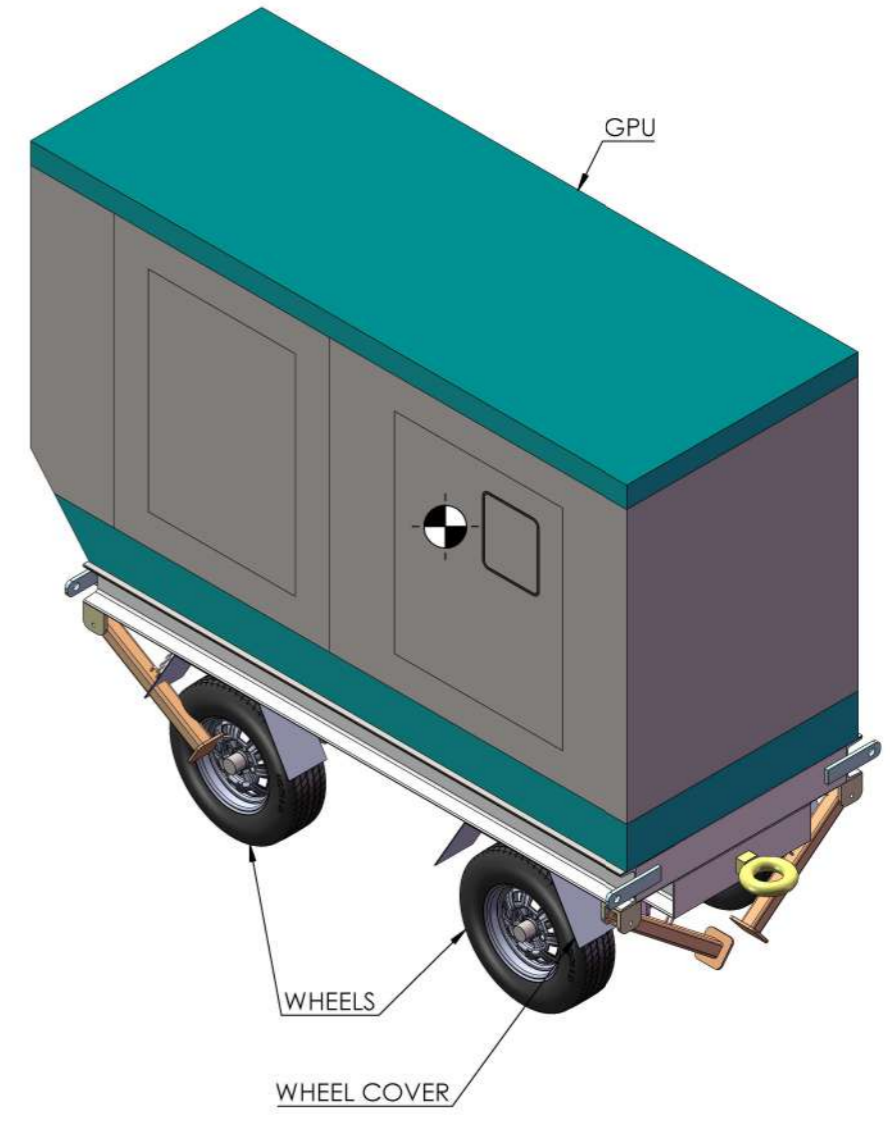
THIS DWG. IS SOLE PROPERTY OF NEOMETRIX ENGINEERING PVT. LTD. UNAUTHORISED USE OF THIS DWG. OR MAKING PRODUCT AS PER THIS DWG. WITHOUT OUR PERMISSION OR ANY OTHER MISUSE IS NOT PERMITTED.



TOP VIEW



FRONT VIEW



ISOMETRIC VIEW

- ALL DIMENSIONS ARE IN mm.
- QUANTITY: 1 Nos.

	Mass (Kg.)	C.G. X (mm.)	C.G. Y (mm.)	C.G. Z (mm.)
Center of Gravity (CG)	1830	1422	1290	575
C.G Calculation				

Dimensions	As per DGAQA/GSE/299 ISSUE-VI Jan 2021	As per Neometrix
Length	3350 ±10%	3108
Width	1600 ±10%	1150
Height	1600 ±10%	2550
Weight	2100 ±10%	2600 (Aprx.)

GROUND POWER UNIT (GPU)

NOTE: THIS IS TENTATIVE DRAWING, SUBJECTED TO CHANGE.

NEOMETRIX ENGINEERING PVT LTD
E-148, SECTOR 63, NOIDA, UP-201301
Tel No.: 0120 4500800
Fax No.: 0120 4500888
E-mail: contact@neometrixgroup.com
Design Dept.: design@neometrixgroup.com

TITLE		NITROGEN GENERATION STORAGE & DISTRIBUTION SYSTEM(UGSSN2)				QA No.	
SUB-TITLE		GROUND POWER UNIT - GA DRAWING				Cross Ref Doc No.:	
SRS CODE		A2700				Customer Dwg Ref No.	
BUYER		Directorate of Procurement, Air HQ (Vayu Bhawan), New Delhi				NOTE:	
END USER		Indian Air Force (IAF)					
TD/PO. No.		Air HQ/DPUR/1/202502/Contract-5527 Dated- 21/Oct/2022		DATED			
PROJECTION	DRWN	A.K.	19/11/2022	SIZE	SCALE	SHEET No. of	REV
⊕	CHK.	S.K.	19/11/2022	A3	NFS	01 of 01	
	APPR.	S.P.S	19/11/2022				

NEO DWG No.: 4
T-DAP-A2700-GADWG-GROUND POWER UNIT 01