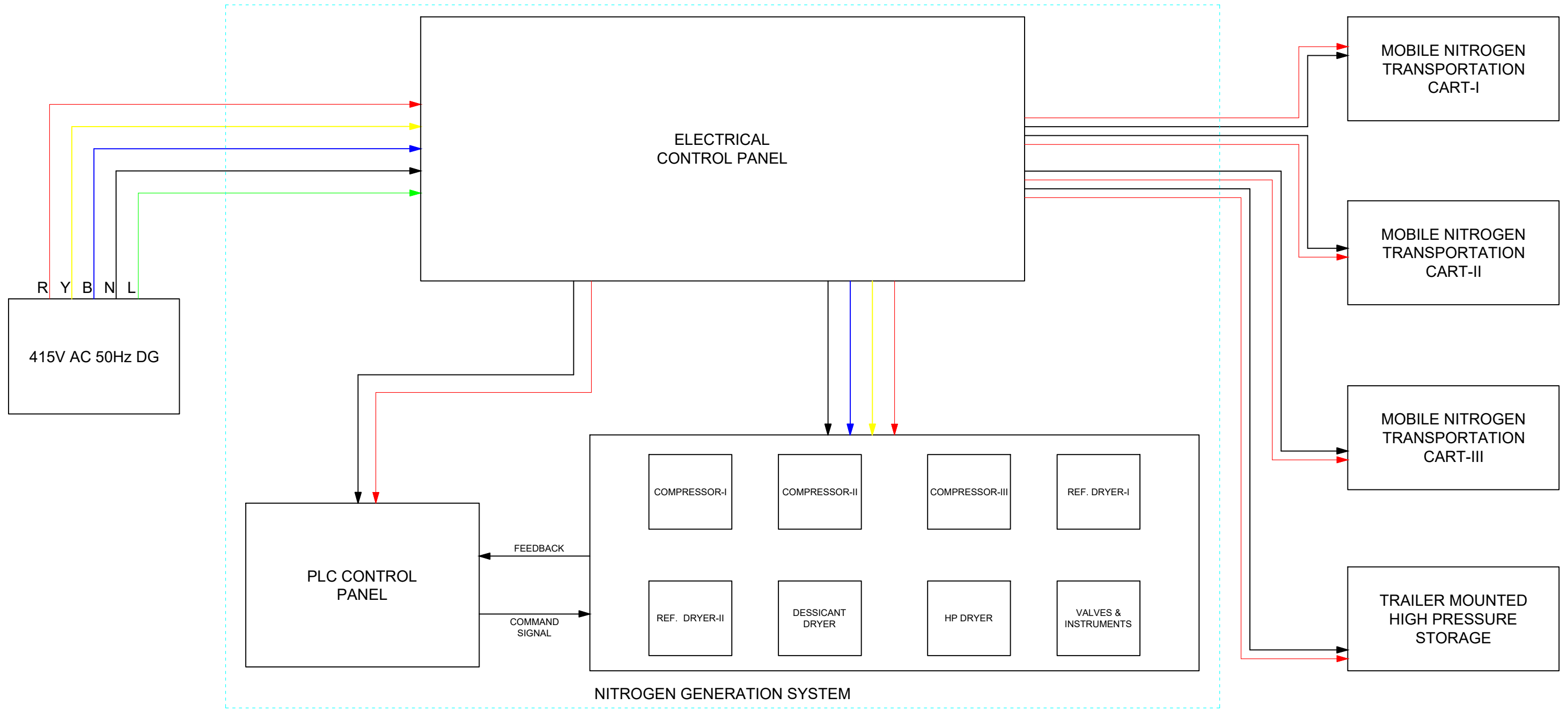


THIS DWG. IS SOLE PROPERTY OF NEOMETRIX ENGINEERING PVT. LTD. UNAUTHORISED USE OF THIS DWG. OR MAKING PRODUCT AS PER THIS DWG. WITHOUT OUR PERMISSION OR ANY OTHER MISUSE IS NOT PERMITTED.



**BLOCK DIAGRAM**

NOTE: This is tentative drawing subjected to change.

<b>NEOMETRIX</b>		NEOMETRIX ENGINEERING PVT. LTD. E-148, Sector-63, Noida, UP-201301 Tel. No. :- 0120-4500800 Fax No. :- 0120-4500888 Email :- contact@neometrixgroup.com	
<b>MAIN TITLE</b>	NITROGEN GENERATION STORAGE & DISTRIBUTION SYSTEM (UGSSN2)	<b>QA No.</b>	
<b>SUB - TITLE</b>	BLOCK DIAGRAM	<b>Cross Ref. Doc. No.</b>	
<b>CODE</b>	A2700	<b>Customer Dwg./Ref. No.</b>	
<b>BUYER</b>	DIRECTORATE OF PROCUREMENT, AIR HEAD (VAYU BHAWAN) NEW DELHI	<b>Note</b>	:
<b>END - USER</b>	INDIAN AIR FORCE (IAF)		
<b>PO. NO.</b>	AIR HQ/DPUR/1/2025027/CONTRACT-5527, DATED- 21-OCT-2022		
<b>PROJECTION</b>	<b>DRAWN BY &amp; DATE</b> A.K. 08/12/2022	<b>Size</b>	<b>Scale</b>
<b>CHECKED BY &amp; DATE</b> D.K. 08/12/2022	<b>Sheet No. Of</b>	<b>NEO. DWG. No.</b>	<b>REV</b>
<b>APPROVED BY &amp; DATE</b> SPS 08/12/2022	A4 NTS 01/01	T-DAP-A2700-BLOCK DIAGRAM	00