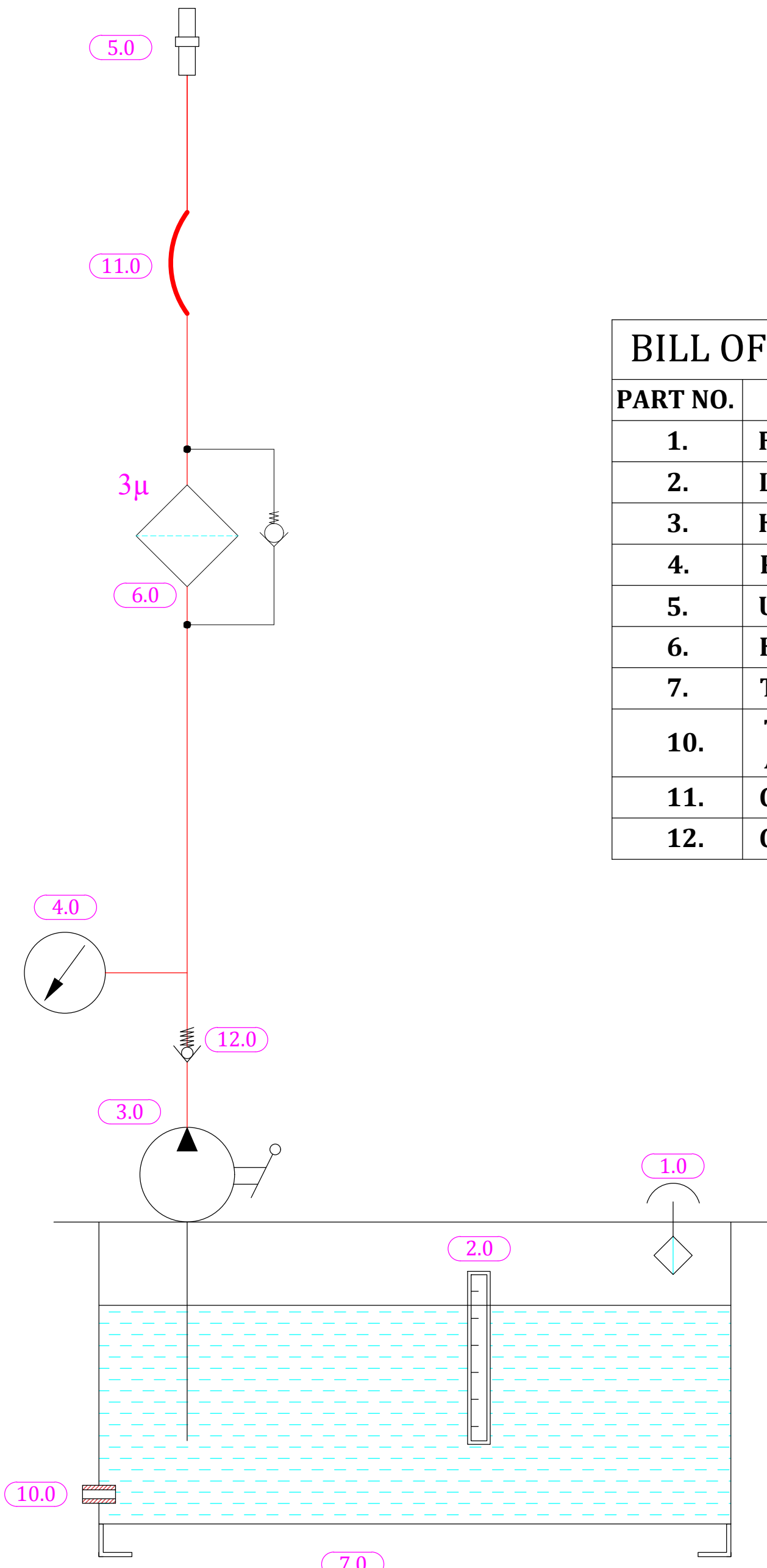


THIS DWG. IS SOLE PROPERTY OF NEOMETRIX ENGINEERING PVT. LTD.  
 UNAUTHORISED USE OF THIS DWG. OR MAKING PRODUCT AS PER THIS  
 DWG. WITHOUT OUR PERMISSION OR ANY OTHER MISUSE IS NOT  
 PERMITTED.



BILL OF MATERIAL	
PART NO.	PART NAME.
1.	FILLER BREATHER
2.	LEVEL INDICATOR
3.	HAND PUMP
4.	PRESSURE GAUGE
5.	UNIVERSAL ADAPTOR
6.	HYDRAULIC FILTER
7.	TANK
10.	TANK DRAINAGE ADAPTOR
11.	CHARGING HOSE
12.	CHECK VALVE

7.0  
 Tank  
 (SS304)

## UNIVERSAL HYDRAULIC CHARGING RIG

**NOTE:**  
 TENTATIVE DRAWING, SUBJECT TO CHANGED

		NEOMETRIX ENGINEERING PVT. LTD.	
		E-148, Sector-63, Noida, UP-201301	
www.neometrixgroup.com		Tel. No. :- 0120-4500800	
		Fax No. :- 0120-4500888	
		Email :- contact@neometrixgroup.com	
MAIN TITLE	UNIVERSAL HYDRAULIC CHARGING RIG	QA No.	
SUB - TITLE	HYDRAULIC CIRCUIT DIAGRAM	Cross Ref. Doc. No.	
CODE	A1760	Customer Dwg./Ref. No.	
CUSTOMER	IAF NASIK	Note :	
END - USER	IAF NASIK		
TENDER NO.	---		
PROJECTION	DRAWN BY & DATE	N.K	09/06/2018
	CHECKED BY & DATE	S.R	09/06/2018
	APPROVED BY & DATE	S.P.S	09/06/2018
Size	Scale	Sheet	NEO. DWG. No.
A4	NTS	No. Of	REV
		01	01
			T-DAP-HDWG-A1760
			00