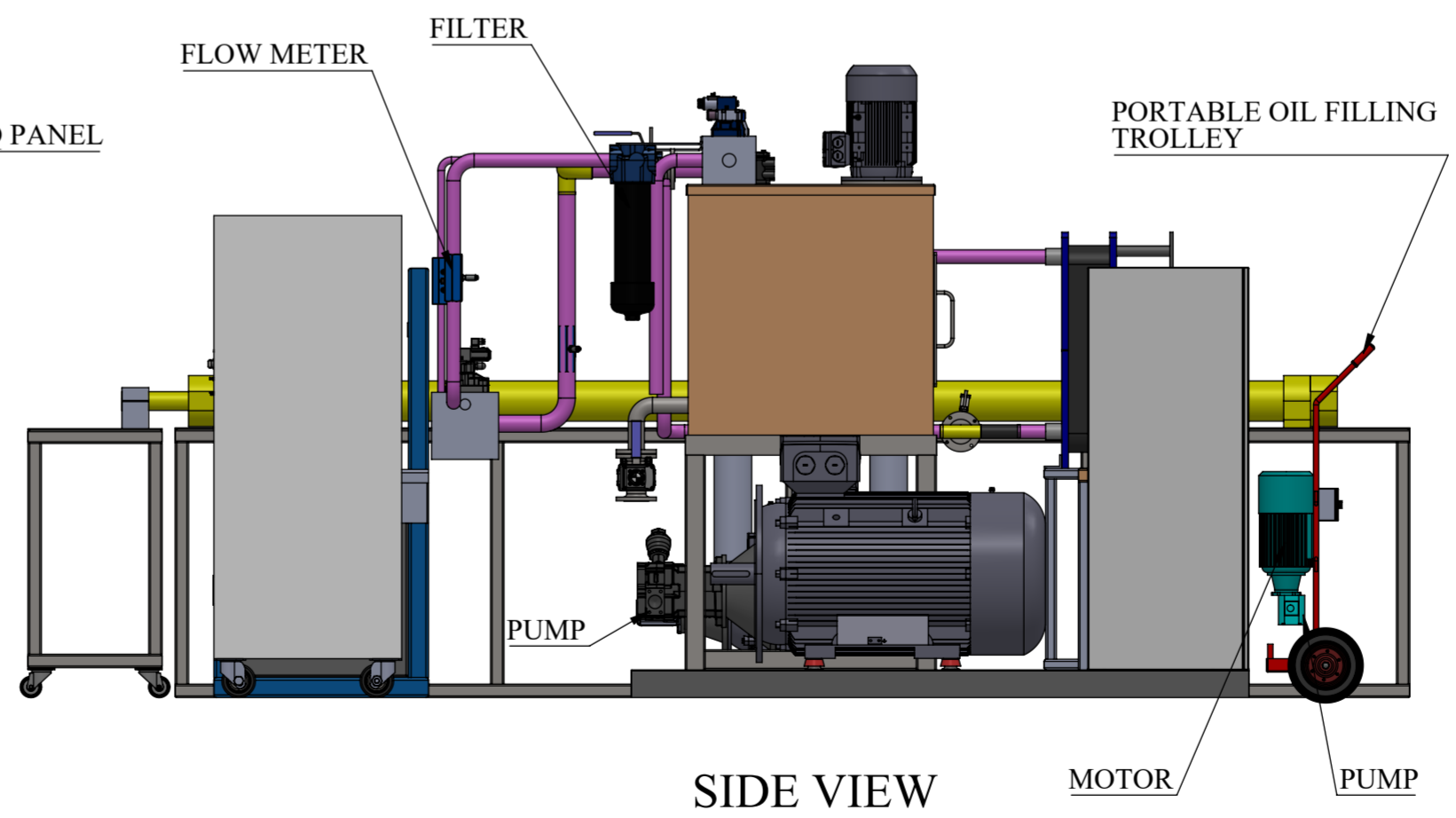
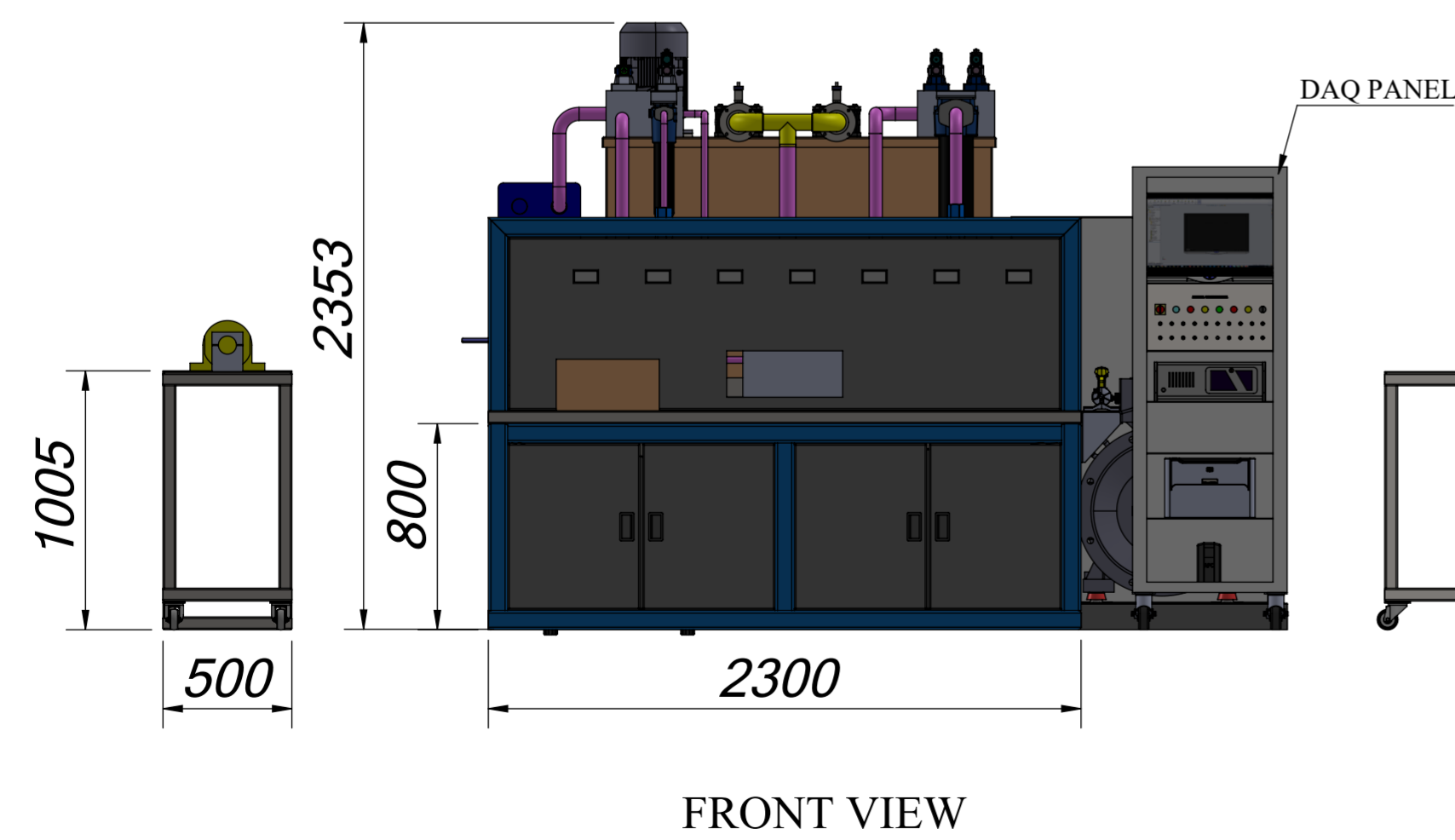
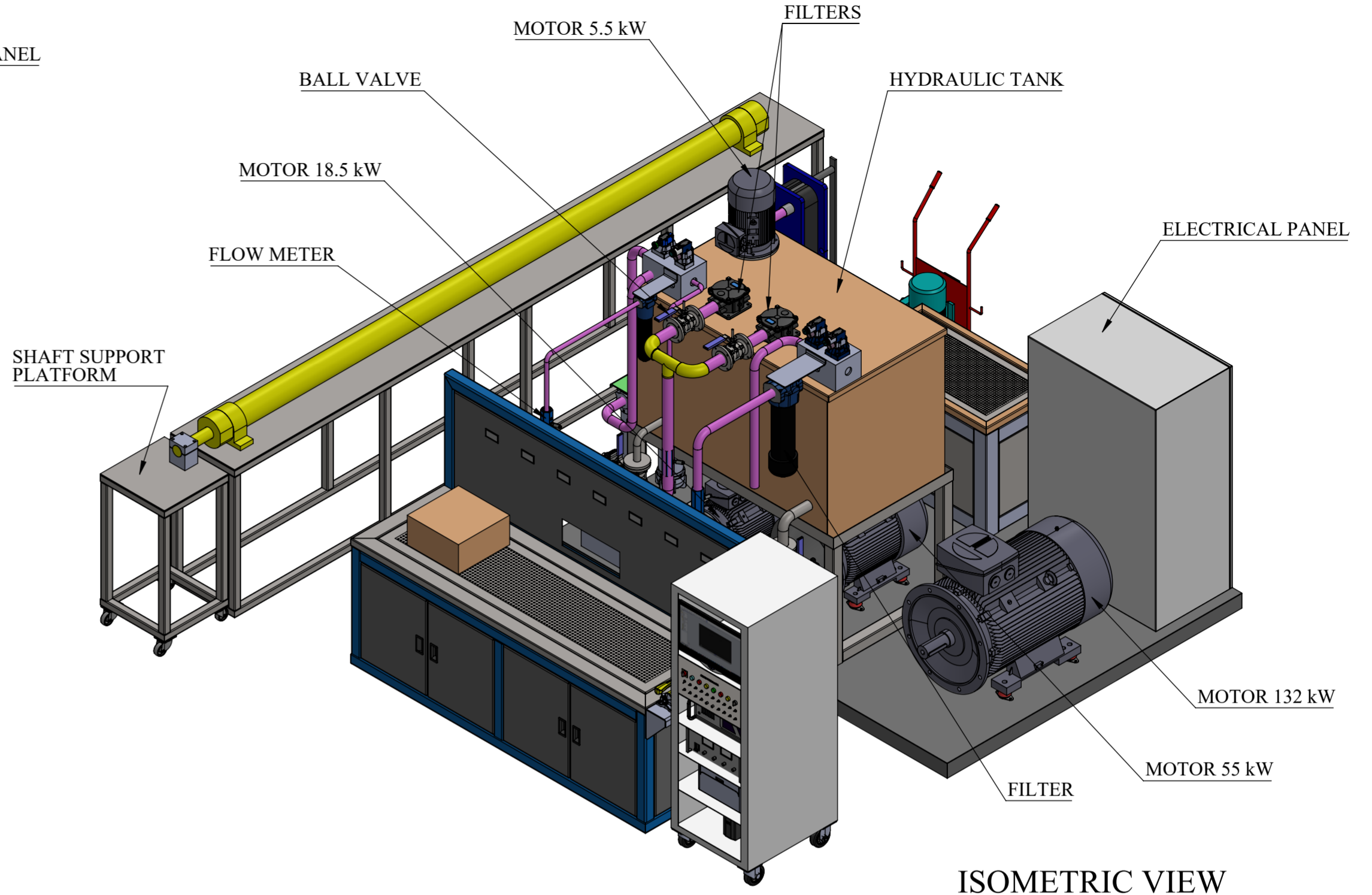
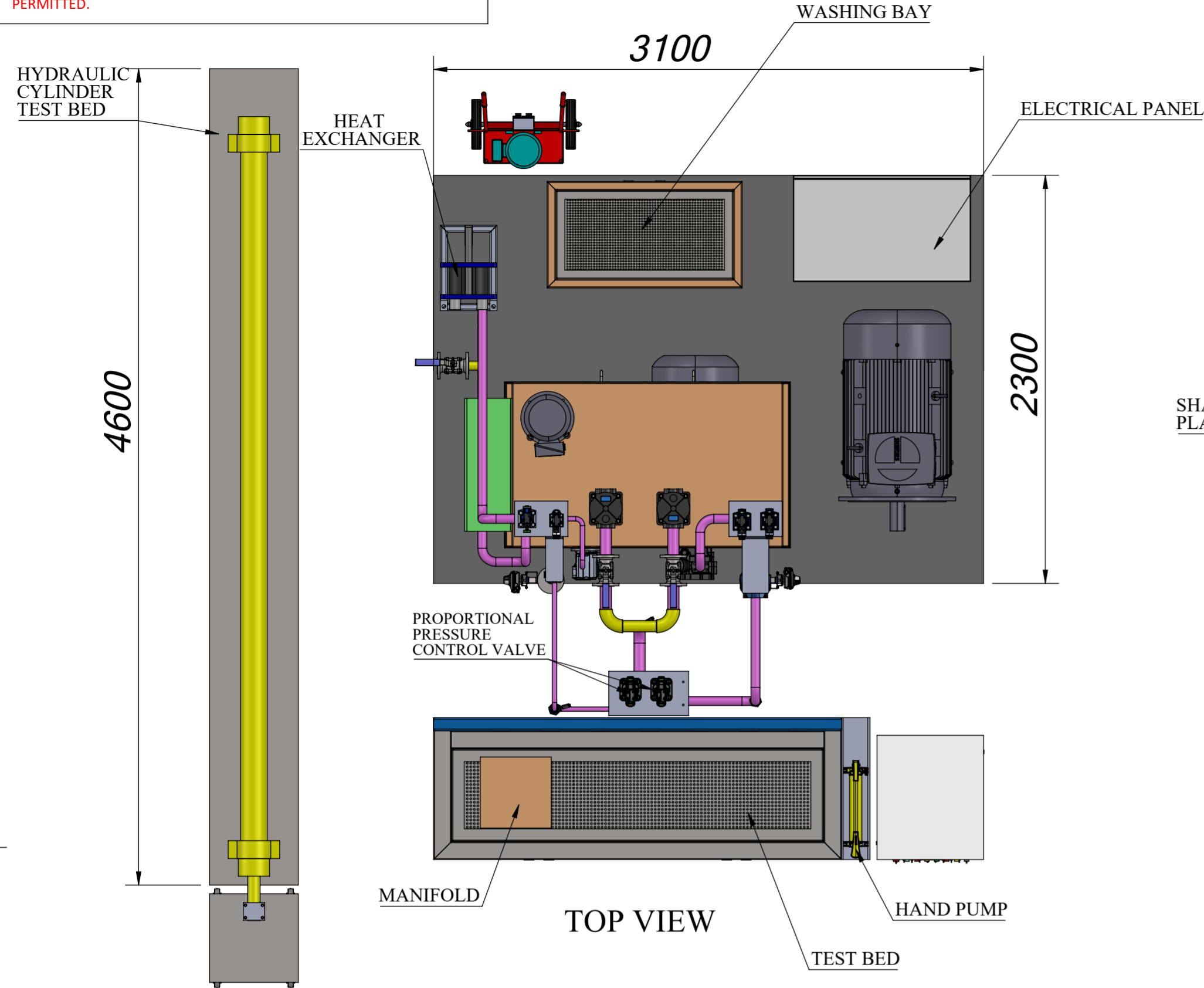


THIS DWG. IS SOLE PROPERTY OF NEOMETRIX ENGINEERING PVT. LTD. UNAUTHORISED USE OF THIS DWG. OR MAKING PRODUCT AS PER THIS DWG. WITHOUT OUR PERMISSION OR ANY OTHER MISUSE IS NOT PERMITTED.



02	According to MECON comment dated 16-03-2024	22-03-2024	M.F	S.S
01	According to MECON comment dated 22-02-2024	08-03-2024	M.F	S.S
00	INITIAL	17-02-2024	M.F	S.S
REVISION No.	MODIFICATION CONTENTS	DATE	MADE BY	CHECKED BY

SUBMITTED FOR	APPROVAL	INFORMATION	REFERENCE	RECORD	CONSTRUCTION
---------------	----------	-------------	-----------	--------	--------------

	NMDC LIMITED 3.0 MTPA INTEGRATED STEEL PLANT (NISP), NAGARNAR, CHHATTISGARH Hydraulic Test Lab (PACKAGE NO. 28B-14)
	CONSULTANT मेकॉन लिमिटेड MECON LIMITED
	MANUFACTURER NEOMETRIX ENGINEERING PVT LTD E-148, SECTOR 63, NOIDA, UP-201301 Tel No.: 0120-4500000, Fax No.: 0120-4500888
DESIGNED SK	HYDRAULIC TEST LAB
DRAWN MF	
CHECKED SPS	SCALE NTS SHEET 1 OF 1 REV 02
APPROVED SIGN. DATE	MFR. DWG No. T-DAP-A3589-GADWVG
	PROJECT DWG. NO. NMDC/NEPL/28B-14/01/01/BE/A3589/0001

NOTE:-
THIS IS TENTATIVE DRAWING, SUBJECT TO CHANGE.

NOTE:-
1. ALL DIMENSIONS ARE IN MM.