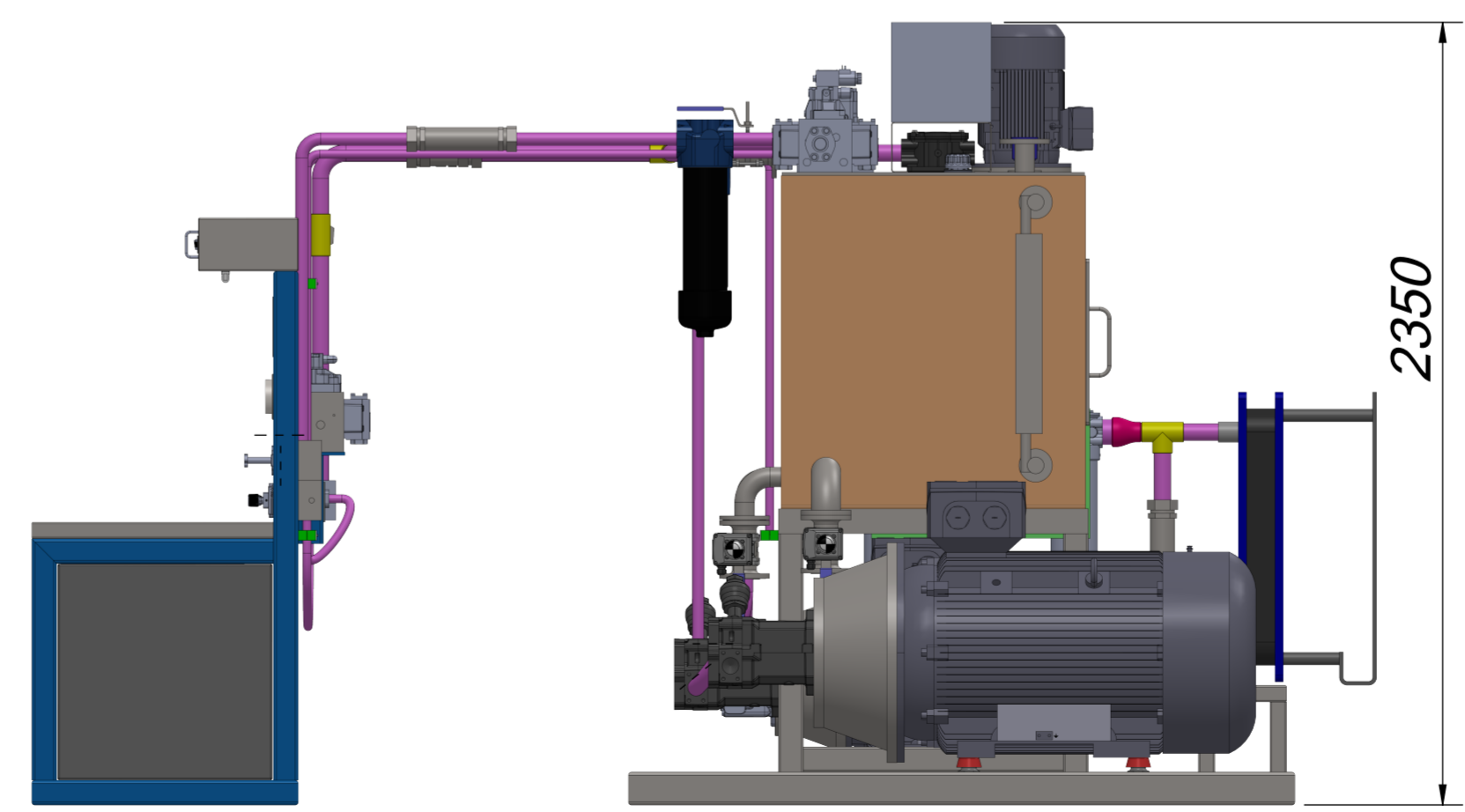
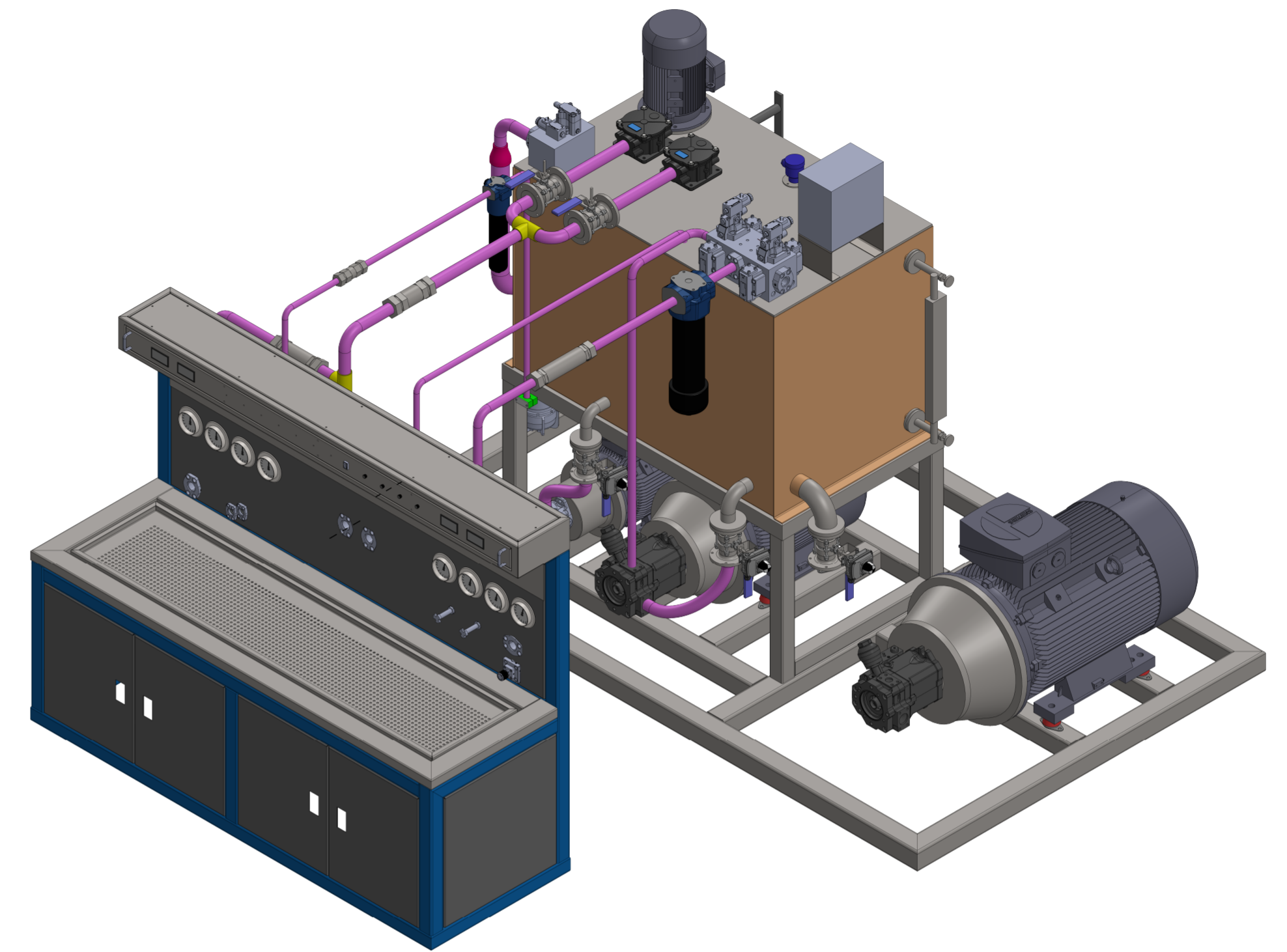
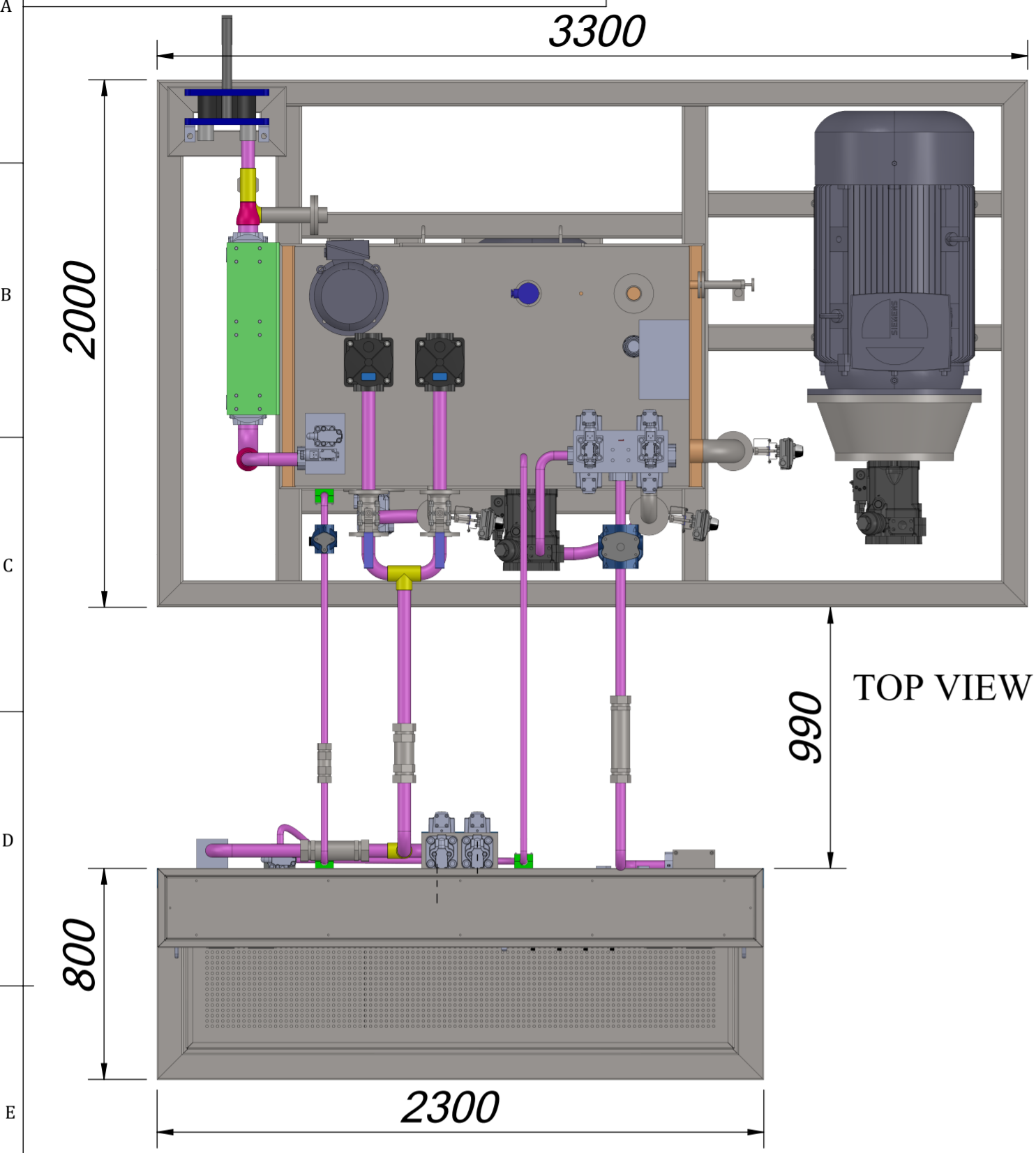


THIS DWG. IS SOLE PROPERTY OF NEOMETRIX ENGINEERING PVT. LTD. UNAUTHORISED USE OF THIS DWG. OR MAKING PRODUCT AS PER THIS DWG. WITHOUT OUR PERMISSION OR ANY OTHER MISUSE IS NOT PERMITTED.



NOTE:-  
1. ALL DIMENSIONS ARE IN MM.

<b>NEOMETRIX</b>		NEOMETRIX ENGINEERING PVT LTD E-148, SECTOR 63, NOIDA, UP-201301 Tel No.: 0120 4500800 Fax No.: 0120 4500888 E-mail: contact@neometrixgroup.com Design Dept.: design@neometrixgroup.com	
TITLE	HYD. TEST LAB	QA No.	
SUB-TITLE	GA DRAWING	Cross Ref Doc No.:	
SRS CODE	A3589	Customer Dwg Ref No.	
CUSTOMER	--	NOTE:	
END USER	--		
TD/PO. No.	--	DATED	
PROJECTION	DRWN	M.F	14/10/2024
CHK.	S.N	14/10/2024	SIZE SCALE SHEET No OF
APPR.	S.P.S	14/10/2024	A3 NTS 01 01
		NEO DWG No.	REV
		T-PED-A3589-GADWG-HTL	00