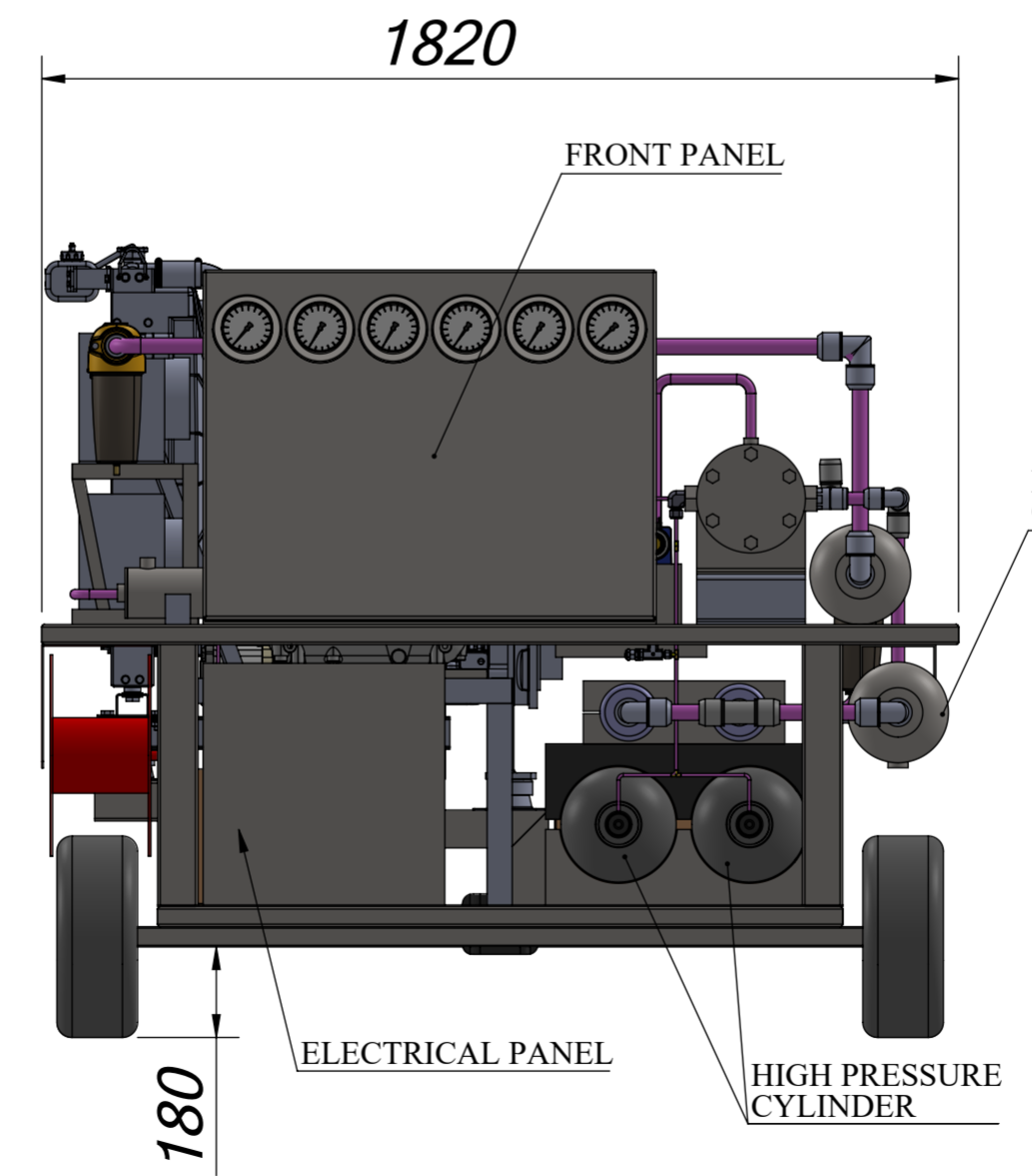
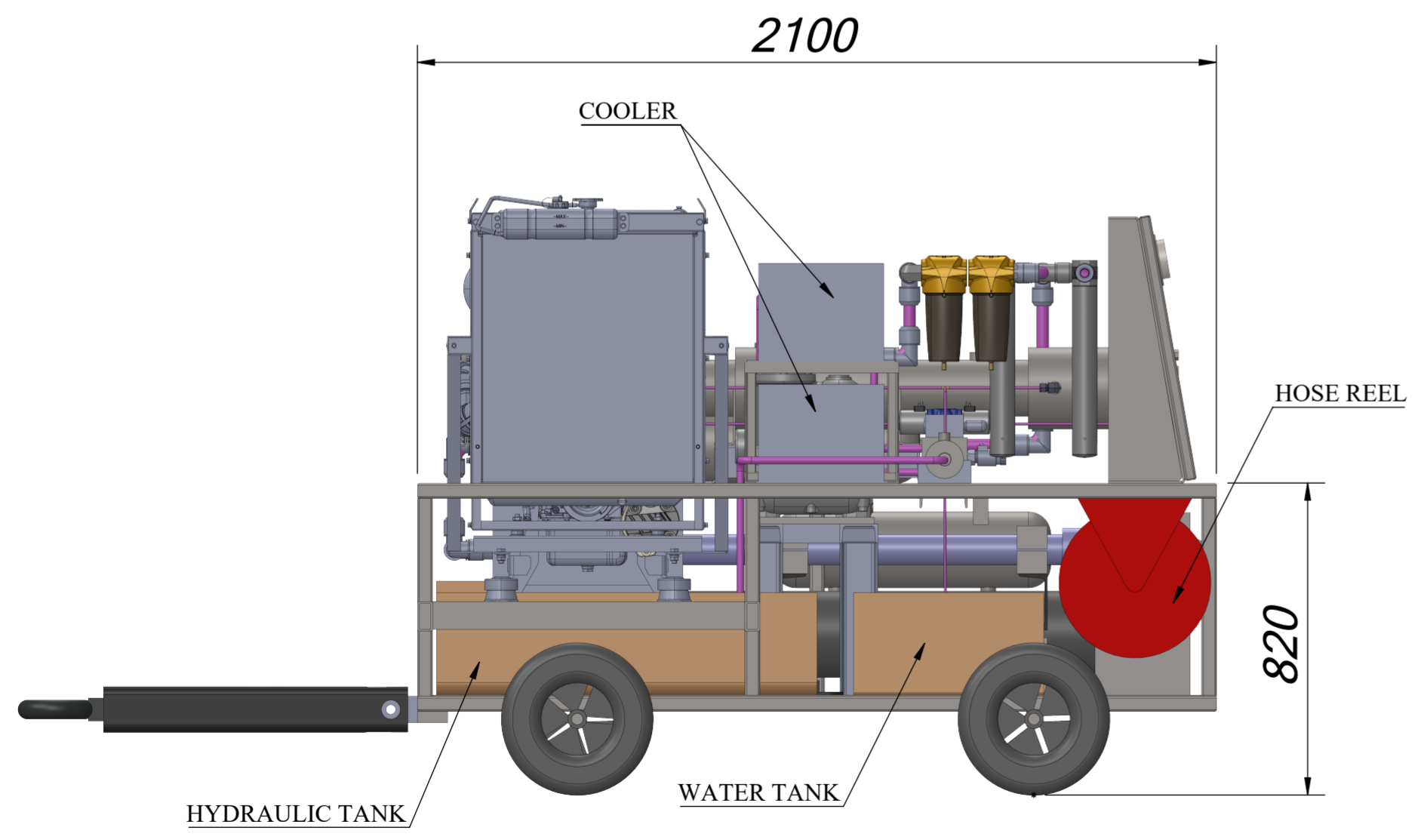
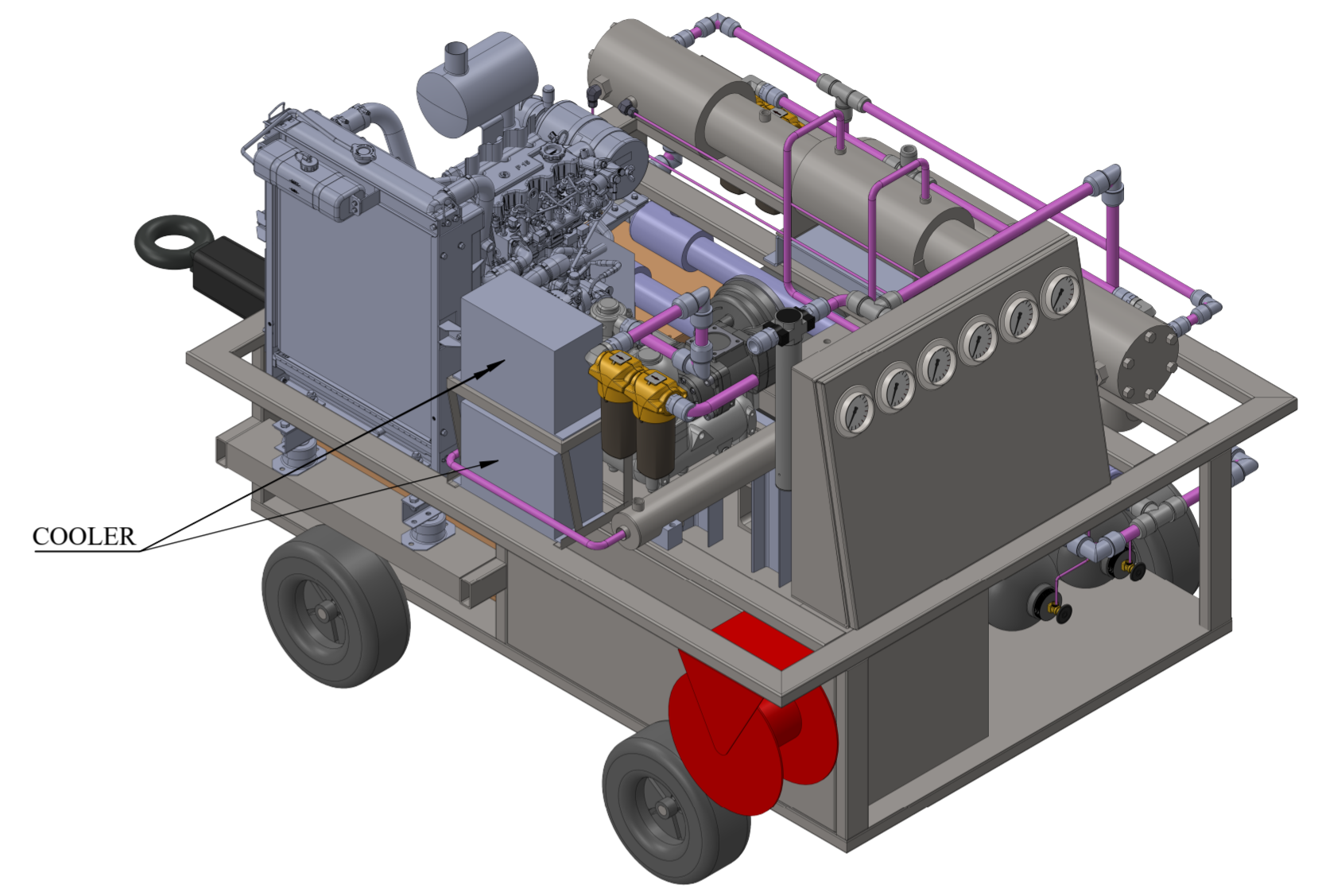
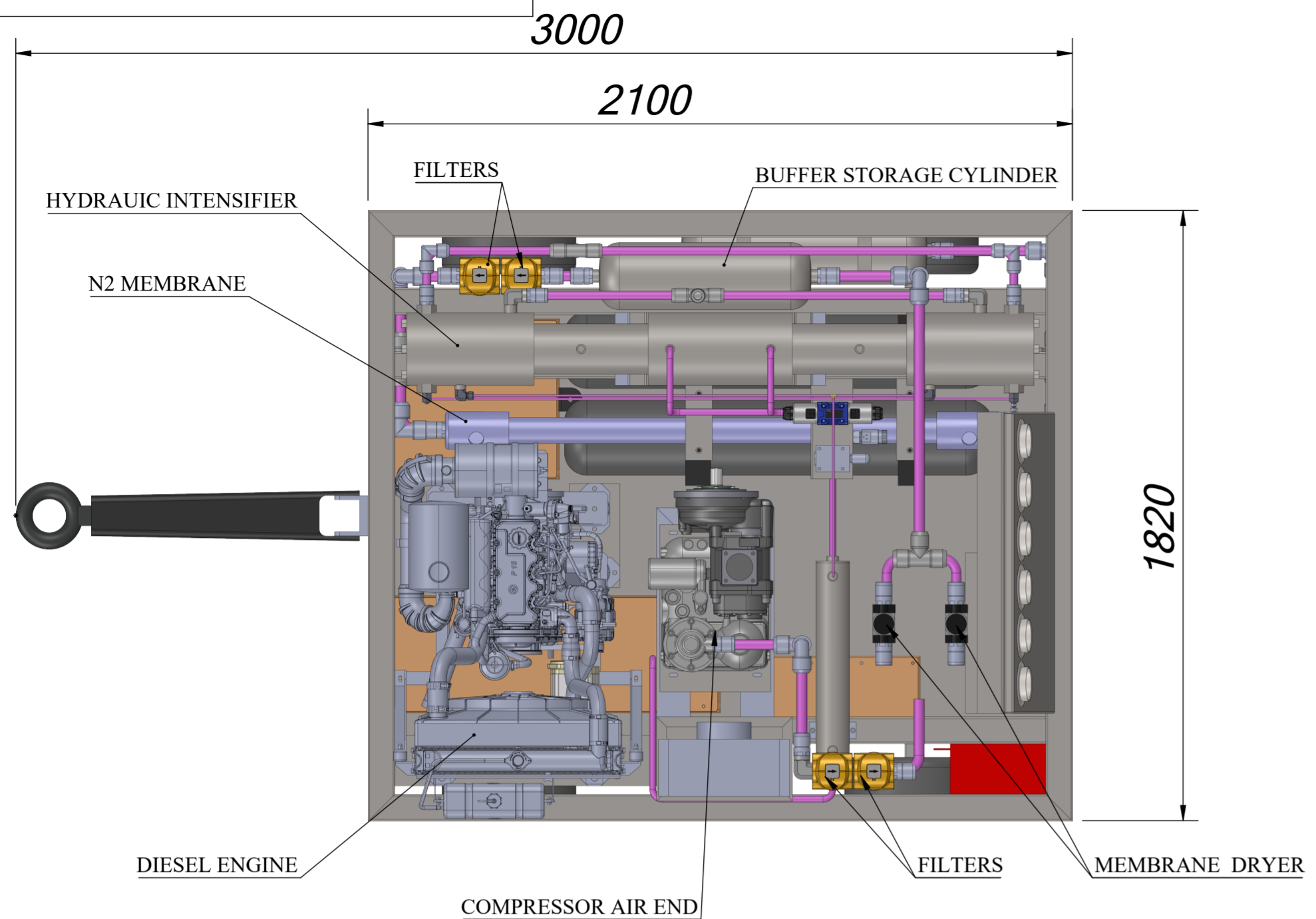


THIS DWG. IS SOLE PROPERTY OF NEOMETRIX ENGINEERING PVT. LTD. UNAUTHORISED USE OF THIS DWG. OR MAKING PRODUCT AS PER THIS DWG. WITHOUT OUR PERMISSION OR ANY OTHER MISUSE IS NOT PERMITTED.



NOTE:-
1. ALL DIMENSIONS ARE IN MM.

UNIVERSAL SELF GENERATING NITROGEN SERVICE CART

NOTE:-
THIS IS TENTATIVE DRAWING, SUBJECT TO CHANGE.

NEOMETRIX		NEOMETRIX ENGINEERING PVT LTD E-148, SECTOR 63, NOIDA, UP-201301 Tel No.: 0120 4500800 Fax No.: 0120 4500888 E-mail: contact@neometrixgroup.com Design Dept.: design@neometrixgroup.com	
TITLE	UNIVERSAL SELF GENERATING N2 SERVICING CART (USGNSC)		
SUB-TITLE	GA-DRAWING		
SRS CODE	A4029		
CUSTOMER	INDIAN AIR FORCE (IAF)		
END USER	INDIAN AIR FORCE (IAF)		
TD/PO. No.	--	DATED	
PROJECTION	DRWN	M.F	18/09/2024
	CHK.	S.S	18/09/2024
	APPR.	S.P.S	18/09/2024
SIZE	SCALE	SHEET No. OF	NEO DWG No.
A3	NFS	01 01	T-PED-A4029-GA DRAWING
REV	00		