
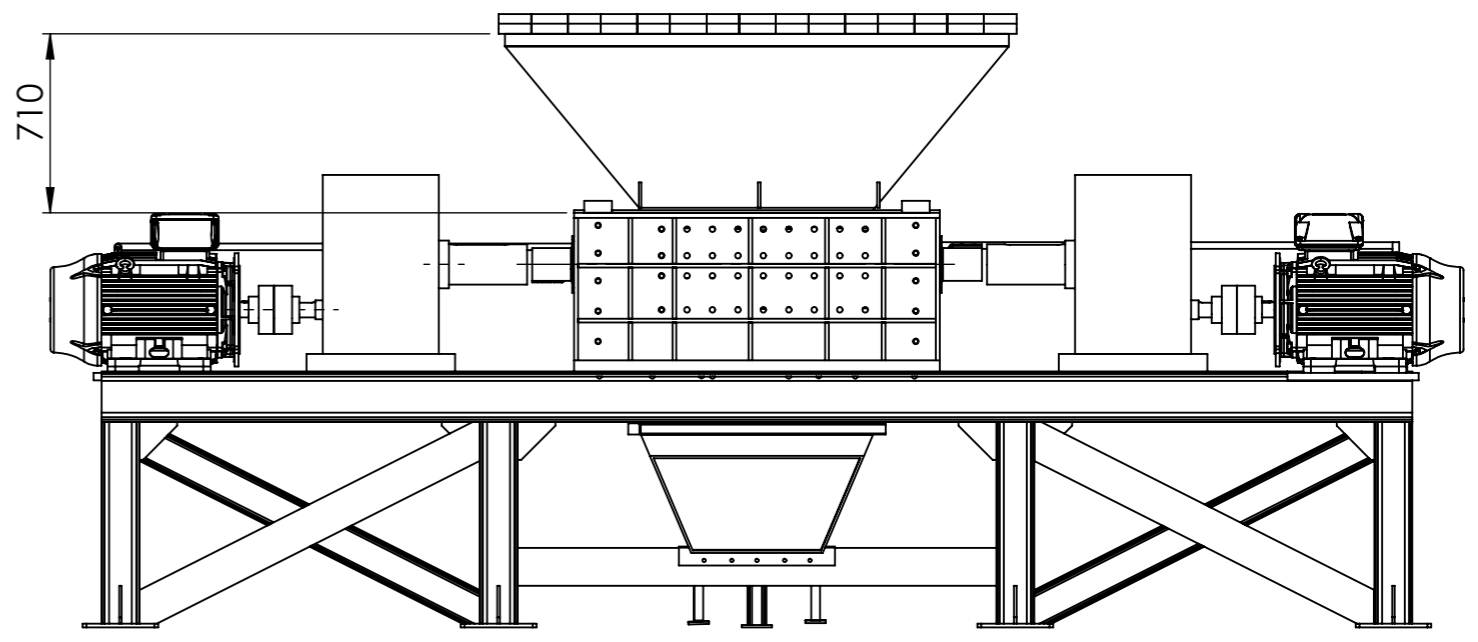
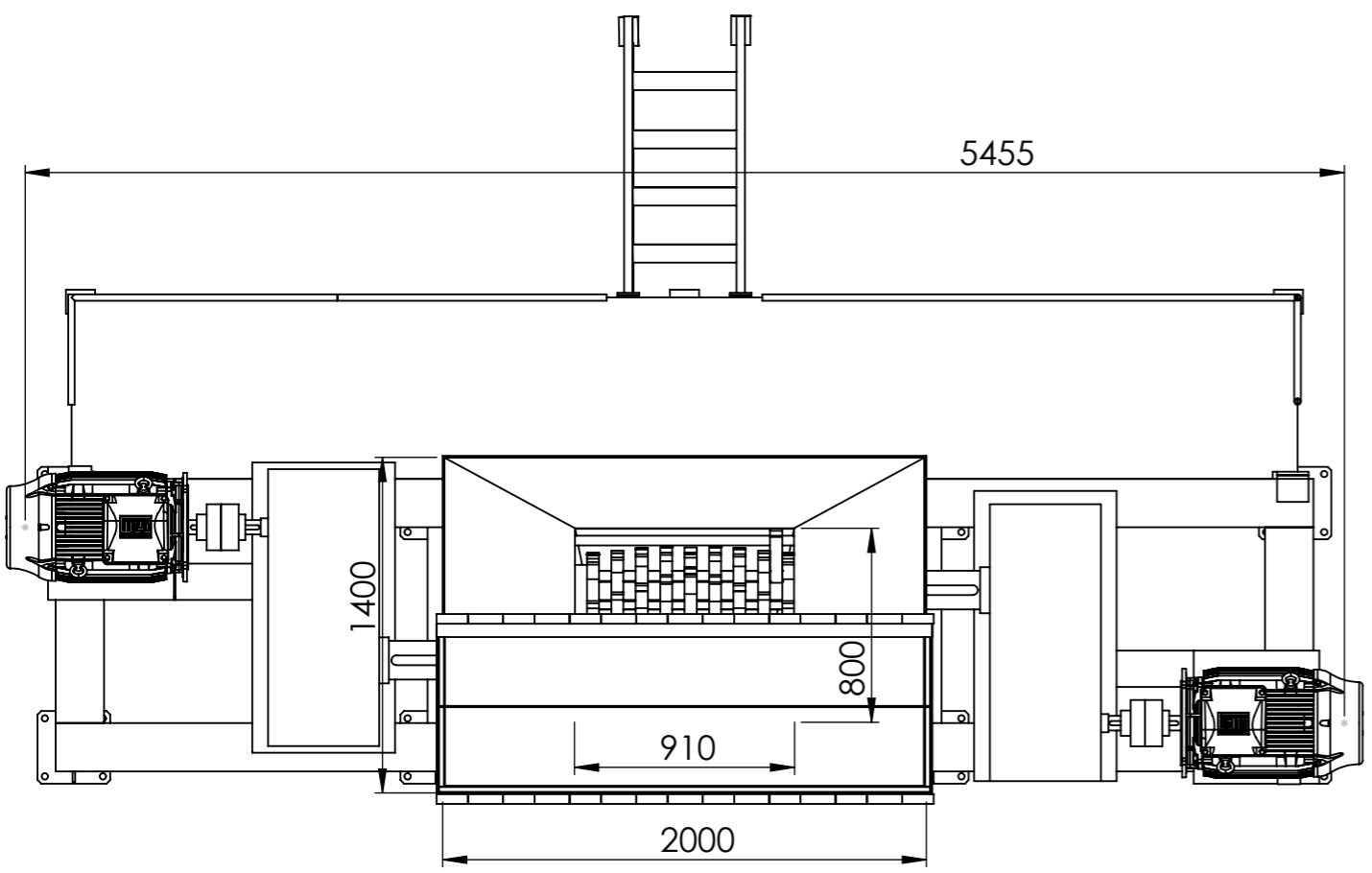
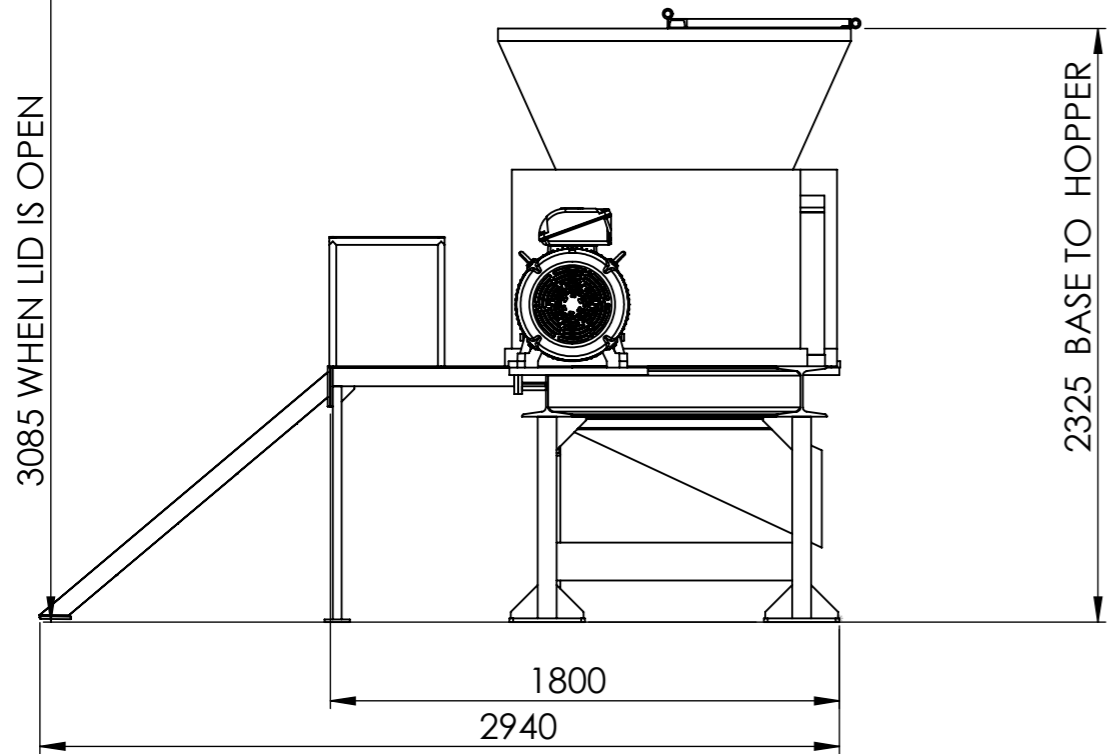
 SANTEC BALING & RECYCLING SYSTEMS PLOT NO-93/3, ROAD NO-4 MUNDKA INDUSTRIAL ARE, NEW DELHI-110041				 Professional Recycling Solutions	
				TITLE: HBPL/B&B/24-25-12	
DRAWN: ROHAN CHK'D: B.SHARMA SIR APPV'D: MFG: S.K.SANGAL Q.A:				ISO DRAWING 50 H.P SHREDDER	
				DWG NO. A3	
				50 HP DOUBLE SHAFT SHREDDER	
				SCALE:1:20 SHEET 1 OF 45	



SANTEC BALING & RECYCLING SYSTEMS PLOT NO-93/3, ROAD NO-4 MUNDKA INDUSTRIAL ARE, NEW DELHI-110041					
TITLE: HBPL/B&B/24-25-12 G.A DRAWING 50H.P SHREDDER			DWG NO. A3		
SCALE: 1:20			SHEET 2 OF 45		

	NAME	SIGNATURE	DATE		
DRAWN	ROHAN				
CHK'D	B.SHARMA SIR				
APPV'D					
MFG	S.K SANGAL				
Q.A				MATERIAL:	